

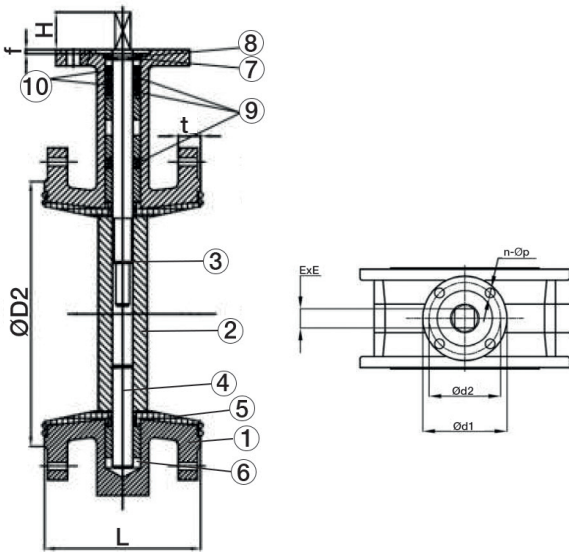
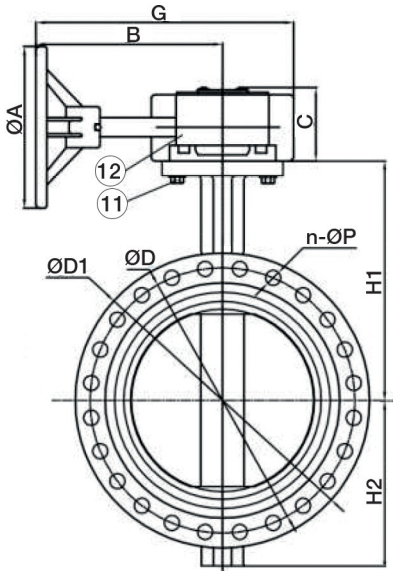
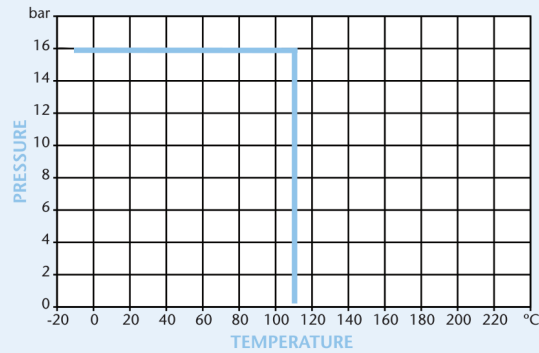


Ductile Iron Butterfly Valve Double Flanged Type

Features

- Flange Mounting PN16 Only
- BS5155 (BS EN 593)
- ISO 5211 Direct Mount
- Gearbox
- Epoxy Paint Finish
- Vulcanised Liner
- BS EN558-1 Series 13

Pressure/Temperature



Technical Data

Maximum Pressure	16 Bar
Working Temperature	-10°C to +110°C

Dimensions in mm

This data sheet is designed as a guide and should not be regarded as wholly accurate in every detail. We reserve the right to amend the specification of any product without notice.

	50	65	80	100	125	150	200	250	300	350
G	205	205	205	205	205	205	302	302	302	307
B	145	145	145	145	145	145	216	216	216	225
A	134	134	134	134	134	134	215	215	215	300
C	62	62	62	62	62	62	71	71	71	84
H1	139	146	150	177	179	201	230	267	298	310
H2	80	89	95	114	125	139	170	198	223	254
n-ØP	4-19	4-19	8-19	8-19	8-19	8-23	12-23	12-28	12-28	16-28
D	125	145	160	180	210	240	295	355	410	470
D1	165	185	200	220	250	285	340	405	460	520
f	3	3	3	3	3	3	3	3	3	3
H	19	19	19	19	19	19	25	30	30	40
t	19	19	19	19	19	19	20	22	24.5	26.5
L	108	112	114	127	140	140	152	165	178	190
D2	99	118	132	156	184	211	266	319	370	429
ExE	11	11	11	11	14	14	17	22	22	22
n-Øp	4-10	4-10	4-10	4-10	4-10	4-10	4-12	4-12	4-12	4-12
d1	90	90	90	90	90	90	125	125	125	125
d2	70	70	70	70	70	70	102	102	102	102
ISO	F07	F07	F07	F07	F07	F07	F10	F10	F10	F10
Torque	20	23	34	52	101	120	293	390	468	927

N.	Part Name	Materials
1	Body	Ductile Iron GGG40
2	Disc	Stainless Steel 316
3	Upper Shaft	Stainless Steel 420
4	Lower Shaft	Stainless Steel 420
5	Seat	EPDM
6	Bushing	PTFE
7	Cotter Pin	Plated Steel 65Mn
8	Circlip	Plated Steel 65Mn
9	O-Ring	NBR
10	Ring	Nylon PA6
11	Bolt	Stainless Steel 304
12	Gearbox	DN50-300 Aluminium. DN350 DI