

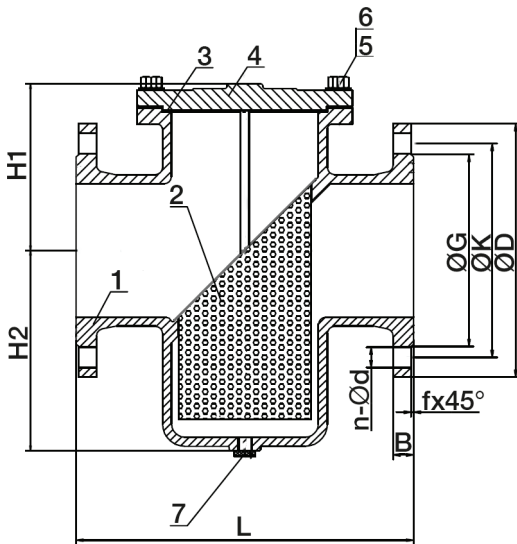
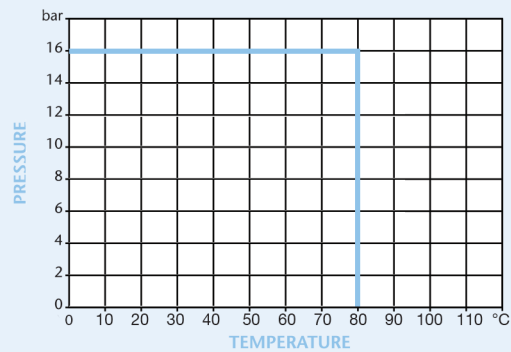
## PN16 Ductile Iron Single Basket Strainer



### Features

- Flange Mounting PN16 Only
- Flange conforms to BS EN1092 PN16
- Stainless Steel Screen and Drain
- Fusion Bonded Epoxy Coat Finish

### Pressure/Temperature



	40	50	65	80	100	125	150	200
L	207	207	210	251	292	334	378	475
D	150	165	185	200	220	250	285	340
K	110	125	145	160	180	210	240	295
G	88	100	119	135	156	186	212	268
B	19	19	19	19	19	19	19	20
f	3	3	3	3	3	3	3	3
n-Ød	4-19	4-19	4-19	8-19	8-19	8-19	8-23	12-23
H1	114	114	129	142	165	173	165	215
H2	98	98	112	125	160	185	235	295

	250	300	350	400	450	500	600
L	511	667	769	842	890	900	1000
D	405	460	520	580	640	715	840
K	355	410	470	525	585	650	770
G	318	373	433	483	546	605	710
B	22	24.5	26.5	28	30	31.5	36
f	3	3	4	4	4	4	5
n-Ød	12-28	12-28	16-28	16-31	20-31	20-34	20-37
H1	325	283	345	390	402	441	523
H2	340	423	585	590	628	696	834

N.	Part Name	Materials
1	Body	Ductile Iron - GGG50
2	Screen	Stainless Steel - 304
3	Cover Gasket	EPDM
4	Cover	Ductile Iron - GGG50
5	Bolt	Stainless Steel - A2-70
6	Bolt Nut	Stainless Steel - A2-70
7	Plug	Stainless Steel - 304

### Technical Data

Maximum Pressure 16 Bar  
 Working Temperature 0°C to +80°C

Dimensions in mm

This data sheet is designed as a guide and should not be regarded as wholly accurate in every detail. We reserve the right to amend the specification of any product without notice.