

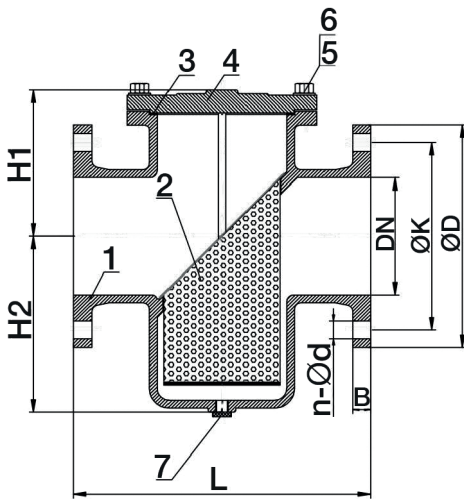
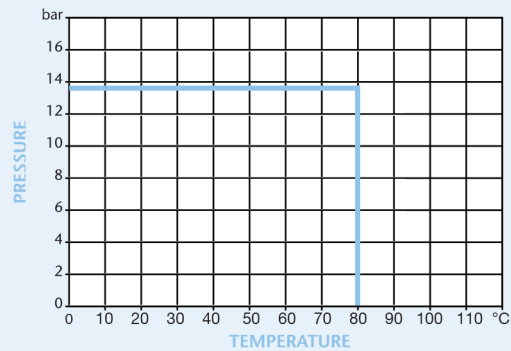
## ANSI 125 Ductile Iron Single Basket Strainer



### Features

- Flanged ANSI 125 (B16.5)
- Conforms to ANSI B16.10
- Stainless Steel Screen and Drain
- Fusion Bonded Epoxy Coat Finish

### Pressure/Temperature



	1¼"	2"	2½"	3"	4"	5"	6"	8"
L	207	207	210	251	292	334	378	475
D	127	152.4	177.8	190.5	228.6	254	279.4	342.9
K	98.6	120.7	139.7	152.4	190.5	215.9	241.3	298.5
B	17.5	19	22.2	23.8	23.8	23.8	25.4	28.5
n-Ød	4-16	4-19	4-19	4-19	8-19	8-22	8-22	8-22
H1	114	114	129	142	165	173	165	215
H2	98	98	112	125	160	185	235	295

	10"	12"	14"	16"	18"	20"	24"
L	511	667	769	842	890	900	1000
D	406.4	482.5	533.4	596.9	635	698.5	812.8
K	362	431.8	476.3	539.8	577.9	635	749.3
B	30.2	31.8	35	36.5	39.6	42.9	47.6
n-Ød	12-25	12-25	12-29	16-29	16-32	20-32	20-35
H1	325	283	345	390	402	441	523
H2	340	423	585	590	628	696	834

### Technical Data

Maximum Pressure 13.8 Bar  
 Working Temperature 0°C to +80°C

Dimensions in mm

This data sheet is designed as a guide and should not be regarded as wholly accurate in every detail. We reserve the right to amend the specification of any product without notice.

N.	Part Name	Materials
1	Body	Ductile Iron - ASTM A536 65-45-12
2	Screen	Stainless Steel - 304
3	Cover Gasket	EPDM
4	Cover	Ductile Iron - ASTM A536 65-45-12
5	Bolt	Stainless Steel - A2-70
6	Bolt Nut	Stainless Steel - A2-70
7	Plug	Stainless Steel - 304