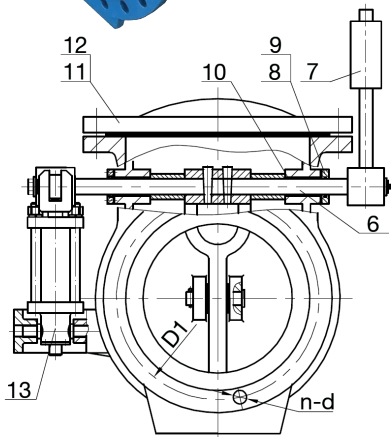
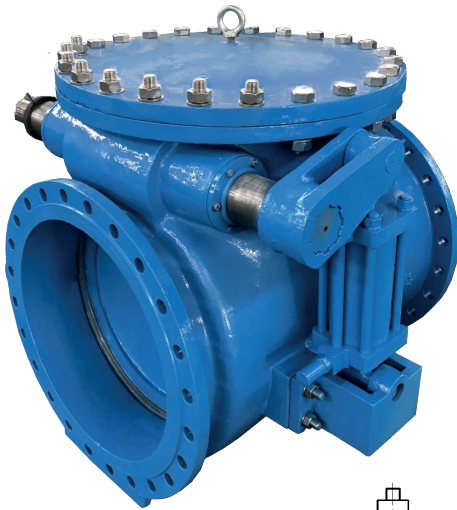


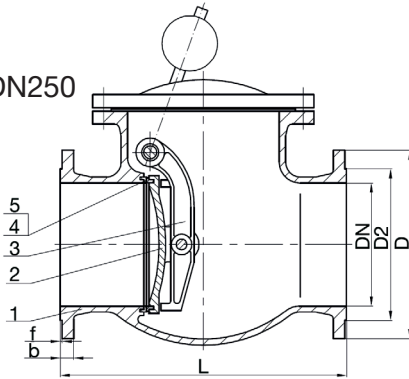
PN16 Ductile Iron Swing Check Valve, Lever, Weight & Damper

Features

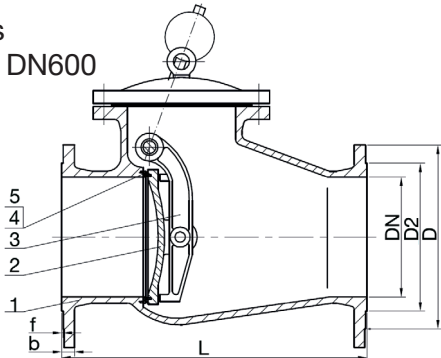
- Flange Mounting PN16 Only
- Flange conforms to BS EN1092 PN16
- Sizes DN80-400 conform to BS 5153 (BS EN558-1 Series 10)
- Fusion bonded Epoxy coat finish



For sizes
DN80 - DN250



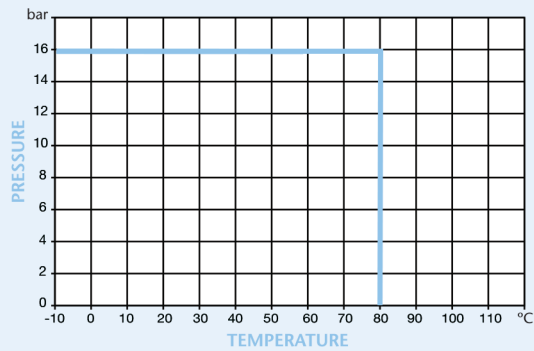
For sizes
DN300 - DN600



Technical Data

Max Pressure	16 Bar
Working Temperature	-10°C to +80°C

Pressure/Temperature



	80	100	125	150	200	250	300	350	400	450	500	600
L	241	292	330	356	495	622	698	787	914	965	1067	1219
D	200	220	250	285	340	405	460	520	580	640	715	840
D1	160	180	210	240	295	355	410	470	525	585	650	770
D2	132	156	184	211	266	319	370	429	480	548	609	720
b	19	19	19	19	20	22	24.5	26.5	28	30	31.5	36
n-d	8-19	8-19	8-19	8-23	12-23	12-28	12-28	16-28	16-31	20-31	20-34	20-37
f	3	3	3	3	3	3	4	4	4	4	4	5
Kgs	28	45	69	86	180	272	340	462	598	722	900	1370

N.	Part Name	Materials
1	Body	Ductile Iron - EN-GJS:500-7
2	Disc	Ductile Iron - EN-GJS:500-7
3	Rocker	Ductile Iron - EN-GJS:500-7
4	Disc Sealing Ring	Gunmetal - LG2
5	Body Sealing Ring	Gunmetal - LG2
6	Shaft	Stainless Steel - SS420
7	Lever & Weight	
8	Cover	Ductile Iron - EN-GJS:500-7
9	O-Ring	EPDM
10	Bushes	Stainless Steel + PTFE
11	Bonnet	Ductile Iron - EN-GJS:500-7
12	O-Ring	EPDM
13	Damping Cylinder	

Dimensions in mm

This data sheet is designed as a guide and should not be regarded as wholly accurate in every detail. We reserve the right to amend the specification of any product without notice.