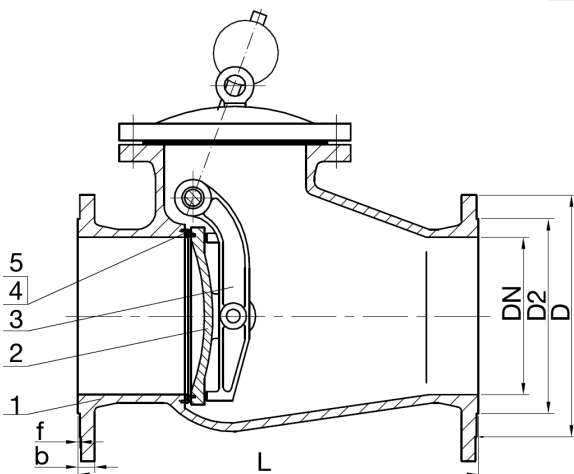
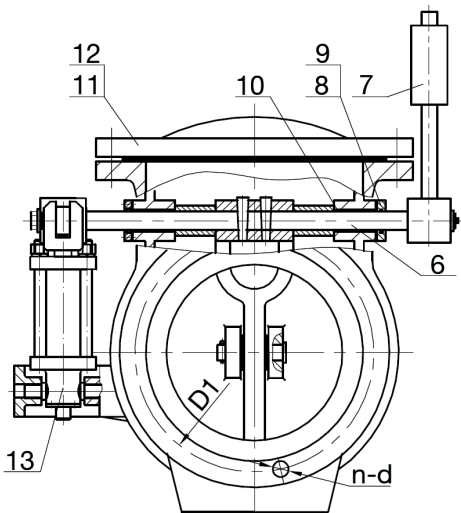
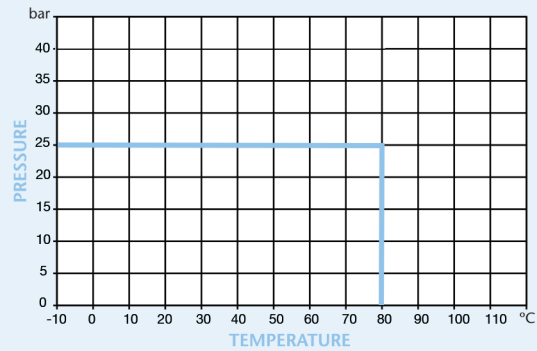


PN25 Ductile Iron Swing Check Valve, Lever, Weight & Damper

Features

- Flange Mounting to PN25 Only
- Flange conforms to BS EN1092 PN25
- Face to face conforms with DIN 3202 F6
- Fusion bonded Epoxy coat finish

Pressure/Temperature



	300	350	400	450	500	600
L	700	800	900	1000	1100	1300
D	485	555	620	670	730	845
D1	430	490	550	600	660	770
D2	389	448	503	548	609	720
B	27.5	30	32	34.5	36.5	42
f	4	4	4	4	4	5
n-d	16-31	16-34	16-37	20-37	20-37	20-41
Kgs	353	491	622	738	915	1430

N.	Part Name	Materials
1	Body	Ductile Iron - EN-GJS:500-7
2	Disc	Ductile Iron - EN-GJS:500-7
3	Rocker	Ductile Iron - EN-GJS:500-7
4	Disc Sealing Ring	Gunmetal - LG2
5	Body Sealing Ring	Gunmetal - LG2
6	Shaft	Stainless Steel - SS420
7	Lever & Weight	
8	Cover	Ductile Iron - EN-GJS:500-7
9	O-Ring	EPDM
10	Bushes	Stainless Steel + PTFE
11	Bonnet	Ductile Iron - EN-GJS:500-7
12	O-Ring	EPDM
13	Damping Cylinder	

Technical Data

Max Pressure 25 Bar
 Working Temperature -10°C to +80°C

Dimensions in mm

This data sheet is designed as a guide and should not be regarded as wholly accurate in every detail. We reserve the right to amend the specification of any product without notice.