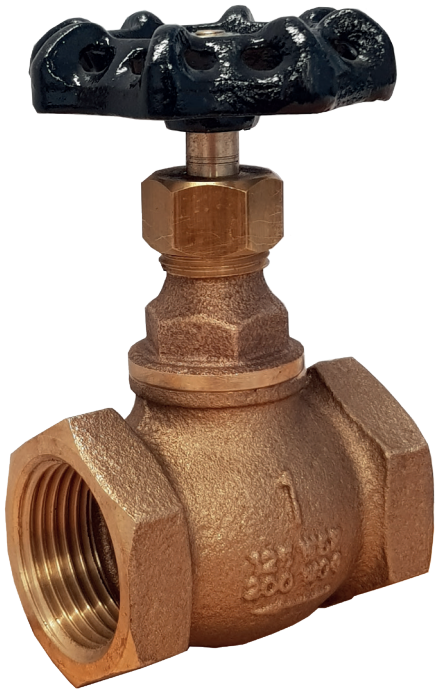
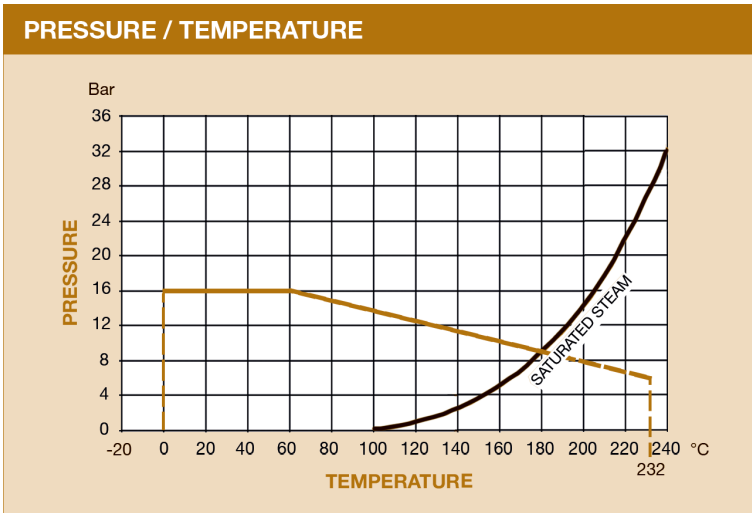
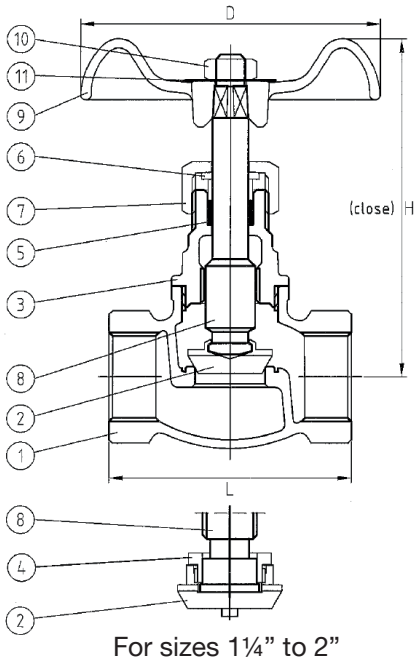


PN16 Bronze Globe Valve



Features

- Available in Screwed BSP Taper (ISO 7/1) or NPT (ANSI B1.20.1)
- Bronze Body
- Screwed Bonnet
- Rising Stem
- Bronze Seat
- MSS-SP-80



DN	1/2"	3/4"	1"	1 1/4"	1 1/2"	2"
L	49	56	65	75	84	99
H	70	70	87	94	104	124
D	54	57.5	64	74	74	87
Kgs	0.26	0.35	0.54	0.78	1.05	1.60

N.	Part Name	Materials
1	Body	Cast Bronze - ASTM B62 C83600
2	Disc	Brass (1/2" - 1") C27450 Cast Bronze (1.1/4" - 2") ASTM B62 C83600
3	Bonnet	Cast Bronze - ASTM B62 C83600
4	Lock Nut	Brass - C27450
5	Stem Packing	Teflon - PTFE
6	Gland	Brass - ASTM B16 C36000
7	Packing Nut	Brass - ASTM B16 C36000
8	Stem	Brass - C27450
9	Hand Wheel	Cast Iron - ASTM A126 CLASS B
10	Wheel Nut	Steel - ASTM A563 Zn PLATED
11	Name Plate	Aluminium - ASTM B209 1100

Technical Data

Max Pressure	16 Bar
Working Temperature	0°C to +232°C

Dimensions in mm

This data sheet is designed as a guide and should not be regarded as wholly accurate in every detail. We reserve the right to amend the specification of any product without notice.