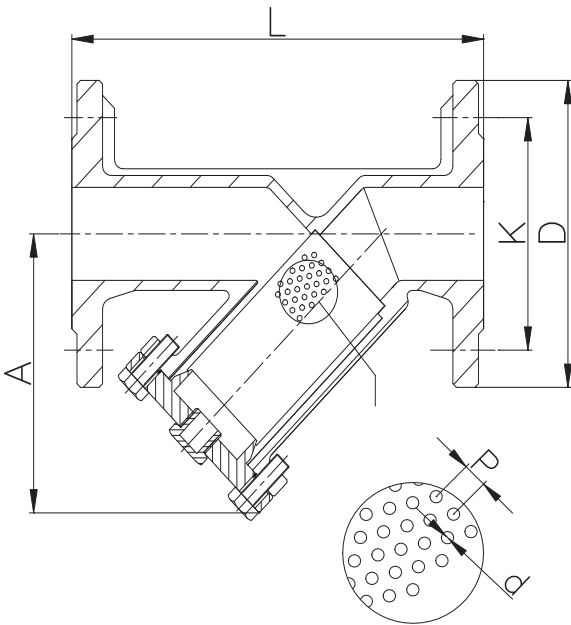
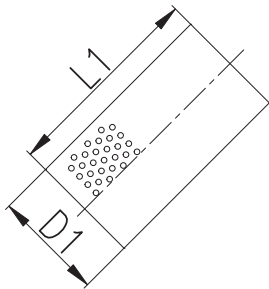
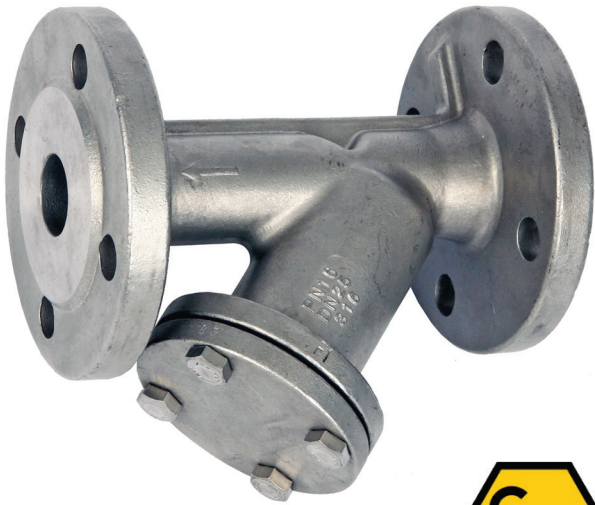


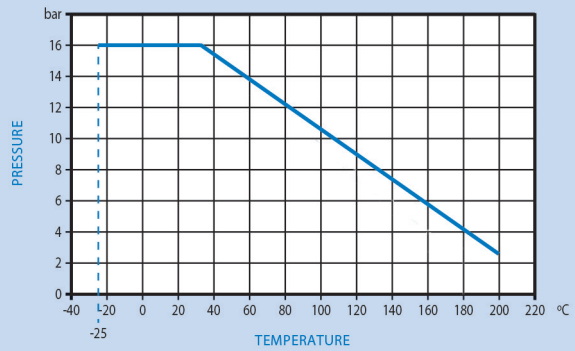
## PN16 Stainless Steel Flanged 'Y' Type Strainer

### Features

- Flanged PN16
- Mesh 1mm (Up to 2"), 2mm (2½"-4")
- PTFE Joint Gasket
- Body CF8M



### Pressure / Temperature



DN	1/2"	3/4"	1"	1 1/4"	1 1/2"	2"	2 1/2"	3"	4"
A	75	90	100	115	130	150	190	225	230
D	95	105	115	140	150	165	185	200	220
D1	22	26	32	37	47	57	69	84	105
L	130	150	160	180	200	230	290	310	350
L1	58	65	72	83	95	114	152	176	180
P	2	2	2	2	2	2	3.5	3.5	3.5
d	1	1	1	1	1	1	2	2	2
K	65	75	85	100	110	125	145	160	160
Kgs	1.79	2.57	3.60	4.72	6.02	8.99	12.81	17.36	20.03

### Technical Data

Max Pressure 16 Bar  
 Working Temperature -25°C to +200°C

N.	Part Name	Material
1	Body	CF8M
2	Cover	CF8M
3	Bolt	Stainless Steel 304
4	Joint Gasket	PTFE
5	Filter Screen	CF8M
6	Blow Off Plug	CF8M

Dimensions in mm

This data sheet is designed as a guide and should not be regarded as wholly accurate in every detail. We reserve the right to amend the specification of any product without notice.