

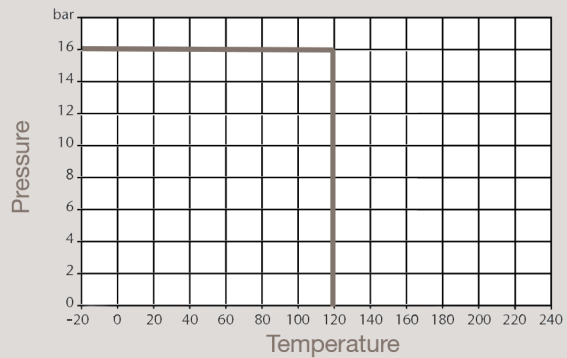


## PN16 Cast Iron Triple Duty Valve

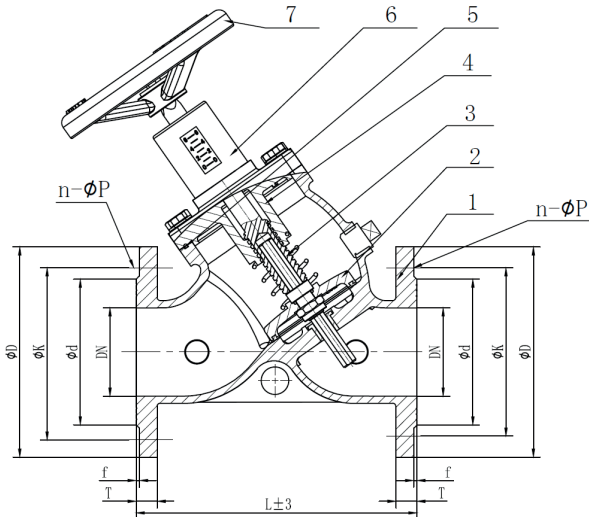
### Features

- Combines three functions in one valve
- Isolation, flow regulation and a spring check valve
- Position Indicator
- Designed for discharge side of pump installations
- Flange conforms to BS EN1092 PN16
- Available Flanged PN25

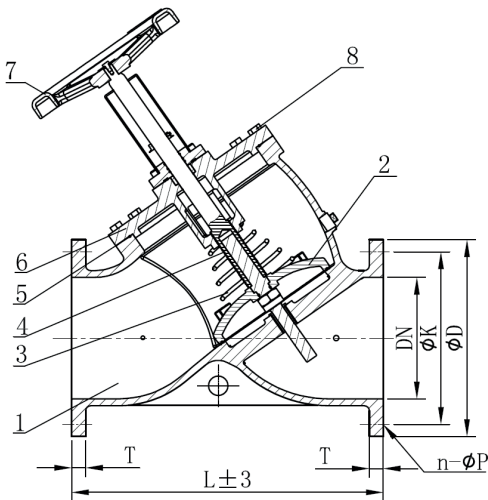
### Pressure/Temperature



DN50 - DN150



DN200 - DN300



### Technical Data

Max Pressure	16 Bar
Working Temperature	-20°C to +120°C

Dimensions in mm

This data sheet is designed as a guide and should not be regarded as wholly accurate in every detail. We reserve the right to amend the specification of any product without notice.

	L	ØD	ØK	Ød	T	f	N-ØP	Kgs
50	213	165	125	99	20	3	4-19	12
65	250	185	145	118	20	3	4-19	16
80	254	200	160	132	22	3	8-19	19
100	368	220	180	156	24	3	8-19	40
125	407	250	210	184	26	3	8-19	46
150	457	285	240	211	26	3	8-23	70
200	546	340	295	266	30	3	12-23	120
250	648	405	355	319	32	3	12-28	240
300	762	460	410	370	32	4	12-28	350

DN50 - DN150

N.	Part Name	Materials
1	Body	Cast Iron
2	Disc	Ductile Iron + EPDM
3	Shaft	Stainless Steel 410
4	Cover	Cast Iron
5	Sealing Ring	EPDM
6	Calibration Device	Plastic ABS
7	Handwheel	Carbon Steel

DN200 - DN300

N.	Part Name	Materials
1	Body	Cast Iron
2	Disc	Ductile Iron + EPDM
3	Spring	Stainless Steel 304
4	Shaft	Stainless Steel 410
5	O-Ring	EPDM
6	Cover	Cast Iron
7	Handwheel	Carbon Steel
8	Bolt	Carbon Steel