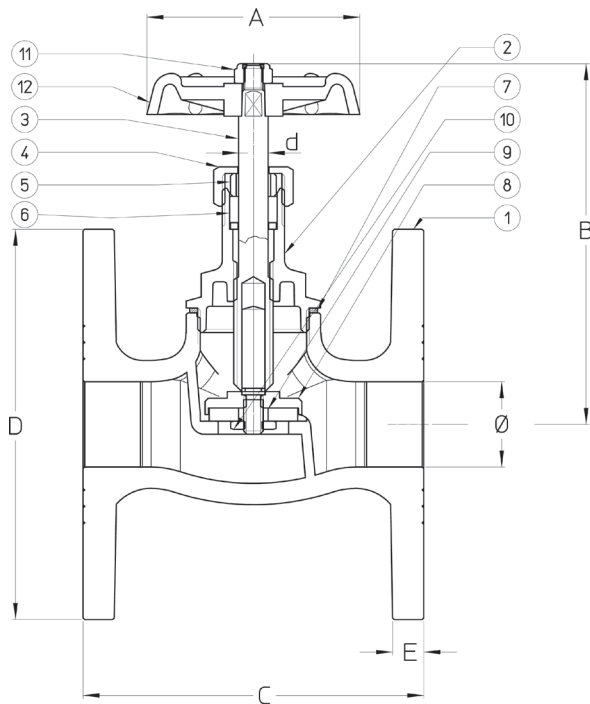


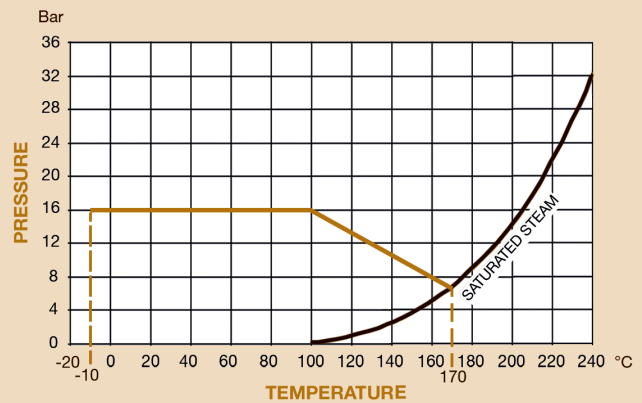
PN16 Flanged Bronze Globe Valve

Features

- Flanged PN16
- Bronze Body
- PN16 Rated
- PTFE Disc
- BS 5154 (BS EN12288)



PRESSURE / TEMPERATURE



DN	1/2"	3/4"	1"	1 1/4"	1 1/2"	2"	2 1/2"	3"	4"
Ø	15	20	25	32	40	50	70	80	100
A	55	55	65	65	80	80	120	120	175
B	98	108	120	130	155	165	210	265	305
C	84	95	105	115	134	156	170	180	200
D	95	105	120	140	150	165	185	200	230
E	8	8	9.5	9.5	11	11	13	13	17
CH1	23	23	28	33	37	45	55	63	80
CH2	18	18	21	23	25	27	37	39	50
d	8	8	9	9	10	10	16	19	22
Kgs	1.23	1.71	2.3	3.32	4.63	6.0	6.84	11.8	17.9

N.	Part Name	Materials
1	Body	Bronze
2	Bonnet	Brass
3	Stem	Brass
4	Gland Nut	Brass
5	Gland	Brass
6	Gland Packing	AF 15/MA
7	Body Packing	NA 1100
8	Disc Holder	Brass
9	Disc	PTFE
10	Disc Nut	Brass
11	Nut	Steel
12	Handwheel	Aluminium Alloy

Technical Data

Max Pressure	16 Bar
Working Temperature	-10°C to +170°C

Dimensions in mm

This data sheet is designed as a guide and should not be regarded as wholly accurate in every detail. We reserve the right to amend the specification of any product without notice.