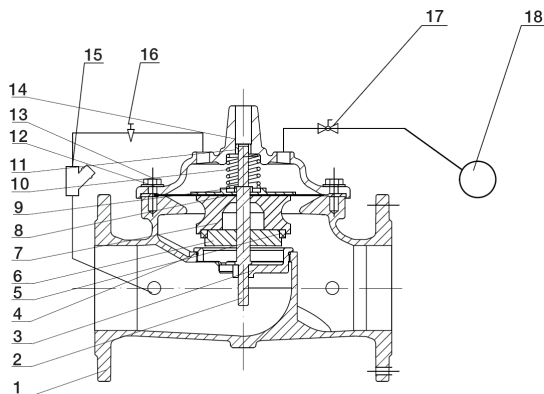
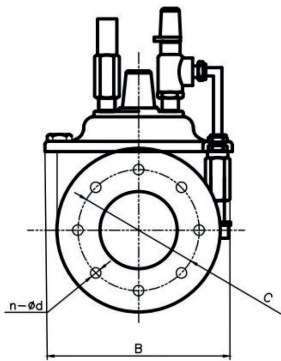
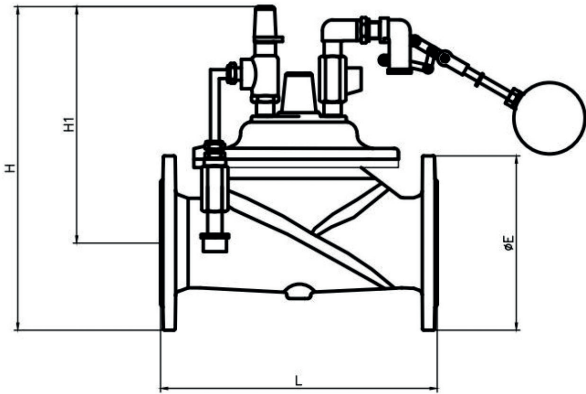


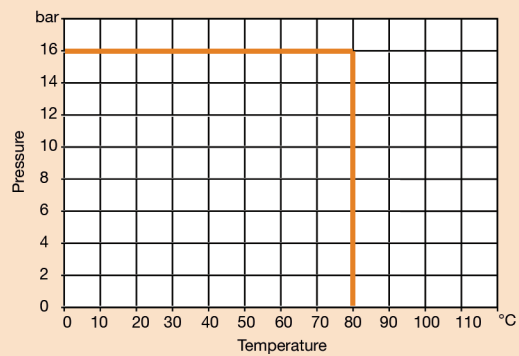
## ANSI Float Control Valve

### Features

- Automatic Control Valve
- Suitable for Potable Water Applications
- WRAS Approved Epoxy Coated Body
- Conforms to BS EN 558-1 Series 1
- Flange Conforms to ANSI 150 (B16.42)
- Stainless Steel Pilot Tubing and Valves
- Copper Float Option



### Pressure/Temperature



| DN  | 50        | 65        | 80        | 100       | 125         | 150         | 200         | 250          | 300          |
|-----|-----------|-----------|-----------|-----------|-------------|-------------|-------------|--------------|--------------|
| L   | 230       | 290       | 310       | 350       | 400         | 480         | 600         | 730          | 850          |
| E   | 152.4     | 177.8     | 190.5     | 228.6     | 254.0       | 279.4       | 342.9       | 406.4        | 482.6        |
| C   | 120.7     | 139.7     | 152.4     | 190.5     | 215.9       | 241.3       | 298.5       | 362.0        | 431.8        |
| n-d | 4-<br>Ø19 | 4-<br>Ø19 | 4-<br>Ø19 | 8-<br>Ø19 | 8-<br>Ø22.4 | 8-<br>Ø22.4 | 8-<br>Ø22.4 | 12-<br>Ø25.4 | 12-<br>Ø25.4 |
| B   | 164       | 194       | 218       | 252       | 286         | 348         | 476         | 574          | 662          |
| H   | 335       | 355       | 370       | 390       | 420         | 455         | 510         | 575          | 630          |
| H1  | 242       | 252       | 270       | 280       | 295         | 313         | 340         | 372          | 400          |
| Kgs | 13        | 17        | 23        | 30        | 65          | 69          | 132         | 315          | 420          |

| N. | Part Name           | Materials           |
|----|---------------------|---------------------|
| 1  | Body                | Ductile Iron        |
| 2  | Stem                | Stainless Steel 304 |
| 3  | Seat                | Stainless Steel 304 |
| 4  | O-Ring              | NBR                 |
| 5  | Disc Ring           | NBR                 |
| 6  | Disc Retailer       | Ductile Iron        |
| 7  | Disc Guide          | Ductile Iron        |
| 8  | Diaphragm           | NBR + Nylon         |
| 9  | Diaphragm Washer    | Ductile Iron        |
| 10 | Spring              | Stainless Steel 304 |
| 11 | Cover Bearing       | Stainless Steel 304 |
| 12 | Screw               | Stainless Steel 304 |
| 13 | Washer              | Stainless Steel 304 |
| 14 | Cover               | Ductile Iron        |
| 15 | Strainer            | Stainless Steel 304 |
| 16 | Needle Valve        | Stainless Steel 304 |
| 17 | Ball Valve          | Stainless Steel 304 |
| 18 | Float Control Valve | Stainless Steel 304 |

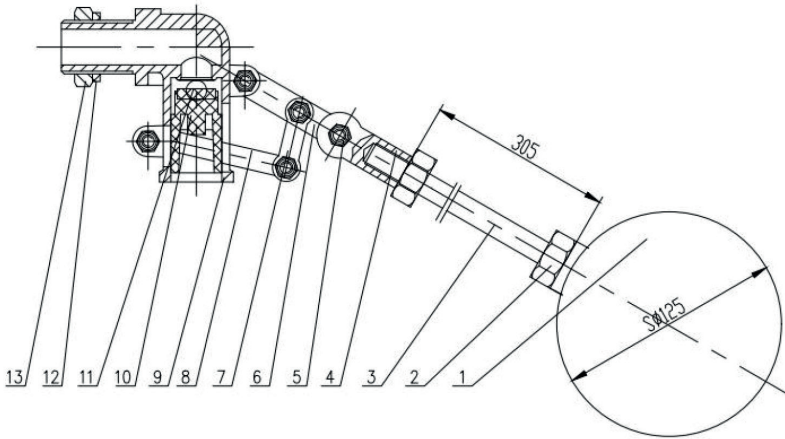
### Technical Data

|                               |                 |
|-------------------------------|-----------------|
| Max Pressure                  | 16 Bar          |
| Minimum Differential Pressure | 5PSI (0.035MPa) |
| Working Temperature           | 0°C to +80°C    |

Dimensions in mm

This data sheet is designed as a guide and should not be regarded as wholly accurate in every detail. We reserve the right to amend the specification of any product without notice.

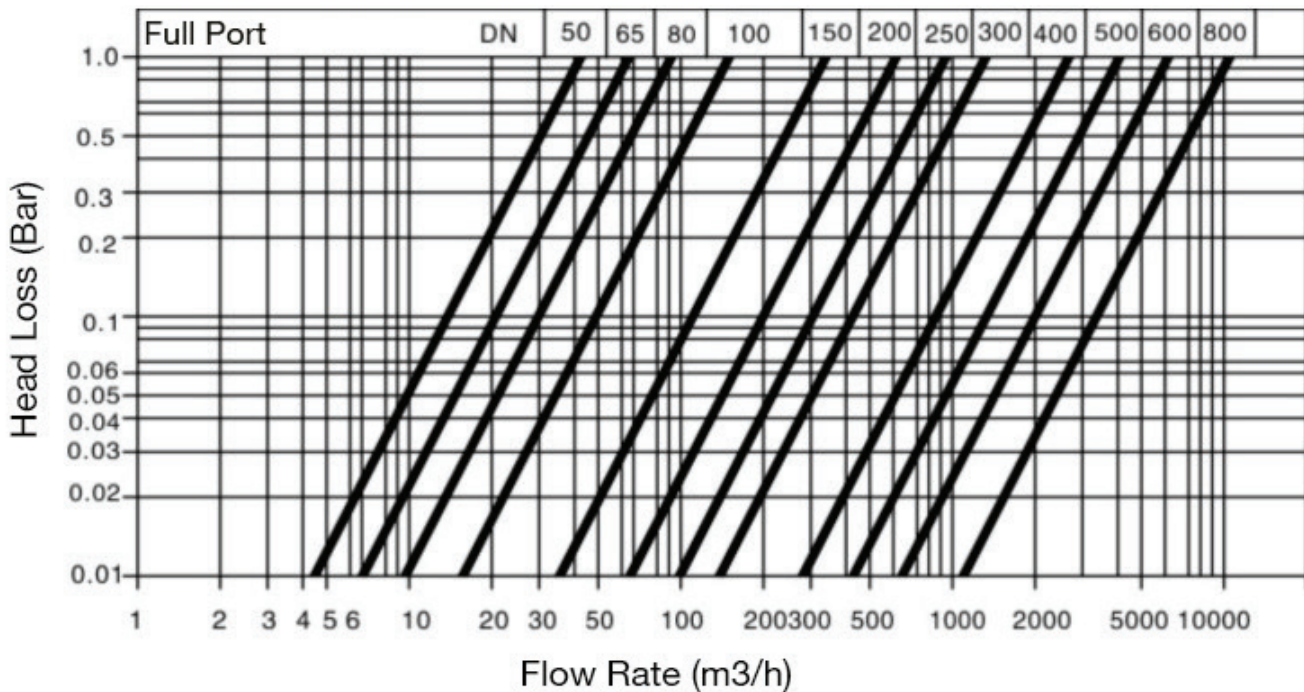
Pilot Valve Detail



Pilot Valve

| N. | Part Name    | Materials           |
|----|--------------|---------------------|
| 1  | Float Ball   | Stainless Steel 304 |
| 2  | Nut          | Stainless Steel 304 |
| 3  | Rod          | Stainless Steel 304 |
| 4  | Level Holder | Stainless Steel 304 |
| 5  | Screw / Nut  | Stainless Steel 304 |
| 6  | Arm          | Stainless Steel 304 |
| 7  | Level        | Stainless Steel 304 |
| 8  | Seat Holder  | Stainless Steel 304 |
| 9  | Body         | Stainless Steel 304 |
| 10 | Yoke         | Stainless Steel 304 |
| 11 | Seat         | NBR                 |
| 12 | Washer       | NBR                 |
| 13 | Nut          | Stainless Steel 304 |

Flow curve of the main valve at fully open status



Dimensions in mm

This data sheet is designed as a guide and should not be regarded as wholly accurate in every detail. We reserve the right to amend the specification of any product without notice.