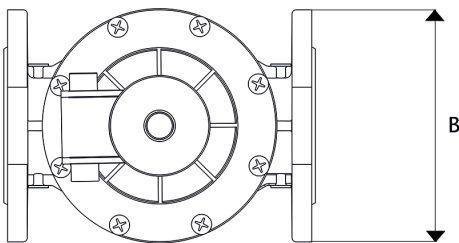
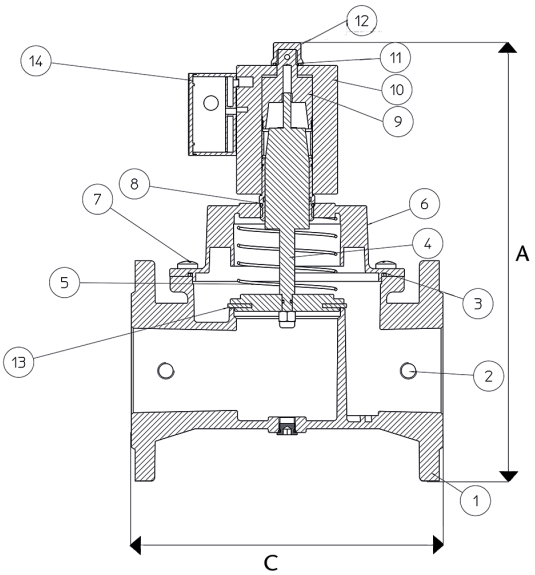


## Automatic Gas Solenoid Valve

### Features

- Flanged PN16
- Gas family 123 and air
- Approved to EN161
- Complies with PED 2014/68/EU
- Other voltages available on request
- Fail safe closed
- Automatic reset



### Technical Data

Max Pressure	360 mbar
Working Temperature	-20°C to 60°C

Dimensions in mm

This data sheet is designed as a guide and should not be regarded as wholly accurate in every detail. We reserve the right to amend the specification of any product without notice.

### Technical Features

Opening time	<1 second
Closing time	<1 second
Max number of operations	15 per minute
Incorporated AISI 303 steel mesh filter	
Supply Voltage	230V (-15%+10%) 50-60Hz
Power	230Vac DN65 - DN80 - DN100 Peak power 400W Maintain power 4W Coils to class F copper wire class H
Test point	5 connections Screw ¼" NPT
Protection degree	IP65
Weight	2½" - 9.6kgs    3" - 9.6kgs    4" - 15.8kgs

DN	2½"	3"	4"
A	316	316	325
B	220	220	220
C	350	350	350

N.	Component	Material
1	Body	Aluminium Alloy
2	Screw Plugs	Aluminium Alloy
3	O-Rings	NBR
4	Plunger	Steel - Aluminium
5	Spring	Stainless Steel
6	Cover	Aluminium Steel
7	Screw	Steel
8	O-Ring	NBR
9	Pilo	Steel - Brass
10	Coil	Steel - Copper - Nylon
11	O-Ring	NBR
12	Locking Ring	Aluminium Alloy
13	Gasket	NBR
14	Connector	Nylon