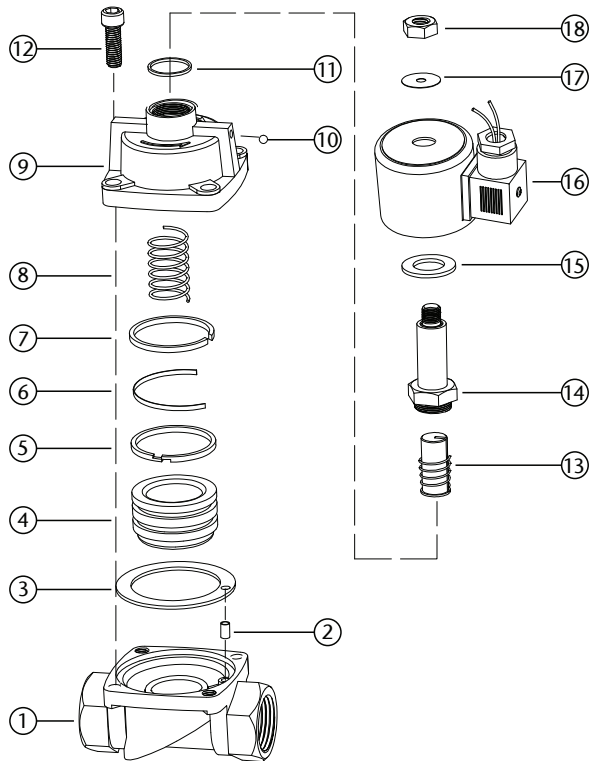


Parts Diagram



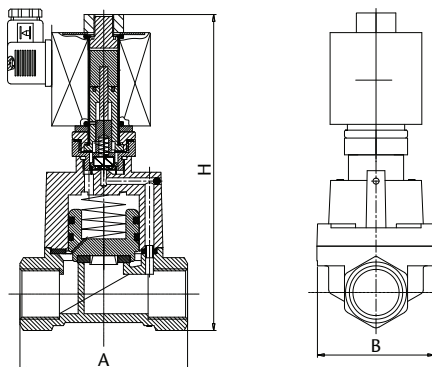
| N. | Component | Material |
|----|-------------------|----------------------------|
| 1 | Valve Body | Brass/Stainless Steel 316 |
| 2 | Pin | Stainless Steel 304 |
| 3 | Seal | PTFE |
| 4 | Piston unit | Stainless Steel 316 |
| 5 | Piston Ring 1 | PTFE |
| 6 | Elastic Ring | Spring Steel |
| 7 | Piston Ring 1 | PTFE |
| 8 | Piston Spring | Stainless Steel 304 |
| 9 | Valve Cover | Brass/Stainless Steel 316 |
| 10 | Bolt | Brass/Stainless Steel 304 |
| 11 | Plunger Tube Seal | PTFE |
| 12 | Bolt | Stainless Steel 302 |
| 13 | Pilot Unit | Stainless Steel 1J117 |
| 14 | Plunger Tube Unit | Stainless Steel 304 +1J117 |
| 15 | Baseplate | Plated Steel |
| 16 | Coil | Enamelled Wire |
| 17 | Washer | Plated Steel |
| 18 | Lock Nut | Stainless Steel 302 |

Available in 230VAC, 110VAC
12VDC, 24VDC, 24VAC

Thread standard: ISO 228/1

Main Dimensions

See Table Opposite



Coil Rating - IP 65
Coil Duty Cycle - 100%

2/2 Solenoid Valve Normally Closed

Valve Specification

| Port Size (G) | Orifice | CV Value | Pressure Difference (Bar) | | | | | | | | Max. Temp. (°C) | VA | W | Diaphragm | Main Dimension |
|---------------|---------|----------|---------------------------|-----------------------|----|--------------------|----|-------------|-------|------------------|-----------------|----|----|-----------|----------------|
| | | | Min. | Max. Working Pressure | | | | Steam AC/DC | AxBxH | | | | | | |
| | | | | Air / Gas | | Water / Hot Liquid | | | | Light Oil ≤20CST | | | | | |
| AC | DC | AC | DC | AC | DC | AC | DC | AC/DC | | | | | | | |
| 1/8" | 2.5 | 0.23 | 0 | 8 | 8 | 8 | 8 | 6 | 6 | 8 | 175 | 22 | 13 | PTFE | 48x25x85.5 |
| | 2.5 | 0.23 | 0 | 13 | 13 | 13 | 13 | 7 | 7 | 10 | 110 | 22 | 13 | VITON | 48x25x85.5 |
| | 4.5 | 0.6 | 0 | 7 | 4 | 7 | 4 | 4 | 4 | 7 | 165 | 22 | 13 | PTFE | 58x25x85.5 |
| | 4.5 | 0.6 | 0 | 7 | 4 | 7 | 4 | 4 | 4 | 7 | 110 | 22 | 13 | VITON | 58x25x85.5 |
| 1/4" | 2.5 | 0.23 | 0 | 7 | 4 | 7 | 4 | 4 | 4 | 8 | 175 | 22 | 13 | PTFE | 48x25x85.5 |
| | 2.5 | 0.23 | 0 | 13 | 13 | 13 | 13 | 7 | 7 | 10 | 110 | 22 | 13 | VITON | 48x25x85.5 |
| | 4.5 | 0.6 | 0 | 7 | 4 | 7 | 4 | 4 | 4 | 7 | 165 | 22 | 13 | PTFE | 58x25x85.5 |
| | 4.5 | 0.6 | 0 | 7 | 4 | 7 | 4 | 4 | 4 | 7 | 110 | 22 | 13 | VITON | 58x25x85.5 |
| 3/8" | 15 | 4.5 | 0.5 | 25 | 20 | 25 | 20 | 20 | 20 | 8 | 175 | 30 | 25 | PTFE | 75x52x129 |
| 1/2" | 15 | 4.5 | 0.5 | 25 | 20 | 25 | 20 | 20 | 20 | 8 | 175 | 30 | 25 | PTFE | 75x52x129 |
| 3/4" | 20 | 9 | 0.5 | 25 | 20 | 25 | 20 | 20 | 20 | 8 | 175 | 30 | 25 | PTFE | 85x60x141 |
| 1" | 25 | 13 | 0.5 | 25 | 20 | 25 | 20 | 20 | 20 | 8 | 175 | 30 | 25 | PTFE | 100x70x148 |
| 1.1/4" | 35 | 26 | 0.5 | 25 | 20 | 25 | 20 | 20 | 20 | 8 | 175 | 30 | 25 | PTFE | 120x90x168 |
| 1.1/2" | 35 | 26 | 0.5 | 25 | 20 | 25 | 20 | 20 | 20 | 8 | 175 | 30 | 25 | PTFE | 120x90x168 |
| 2" | 50 | 48 | 0.5 | 25 | 20 | 25 | 20 | 20 | 20 | 8 | 175 | 30 | 25 | PTFE | 150x110x190 |
| 1" Flange | 25 | 13 | 0.5 | 25 | 20 | 25 | 20 | 20 | 20 | 8 | 175 | 30 | 25 | PTFE | 134x110x185 |
| 1.1/4" Flange | 35 | 26 | 0.5 | 25 | 20 | 25 | 20 | 20 | 20 | 8 | 175 | 30 | 25 | PTFE | 160x135x200 |
| 1.1/2" Flange | 35 | 26 | 0.5 | 25 | 20 | 25 | 20 | 20 | 20 | 8 | 175 | 30 | 25 | PTFE | 160x145x205 |
| 2" Flange | 50 | 45 | 0.5 | 25 | 20 | 25 | 20 | 20 | 20 | 8 | 175 | 30 | 25 | PTFE | 200x155x250 |

Please refer to our price list for stocked items

Dimensions in mm

This data sheet is designed as a guide and should not be regarded as wholly accurate in every detail. We reserve the right to amend the specification of any product without notice.