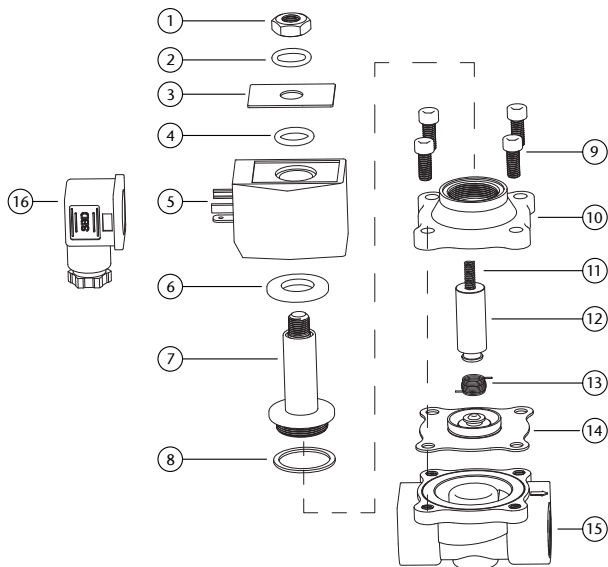


Parts Diagram



N.	Component	Material
1	Lock Nut	Stainless Steel 302
2	Washer	Stainless Steel 302
3	Plate	Aluminium
4	O Ring	NBR/EPDM/Viton
5	Coil	Enamelled Wire
6	Baseplate	Plated Steel
7	Plunger Tube Unit	Stainless Steel 304 +1J117
8	Plunger Tube Seal	PTFE
9	Bolt	Stainless Steel 302
10	Valve Cover	Brass/Stainless Steel 316
11	Plunger Spring	Stainless Steel 304
12	Pilot Unit	Stainless Steel 304 +1J117
13	Coil Spring	Stainless Steel 304
14	Diaphragm Unit	NBR/EPDM/Viton
15	Valve Body	Brass/Stainless Steel 316
16	Plug	Nylon

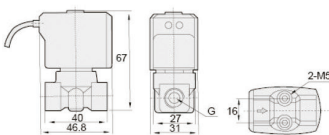
Available in 230VAC, 110VAC
12VDC, 24VDC, 24VAC

Thread standard: ISO 228/1

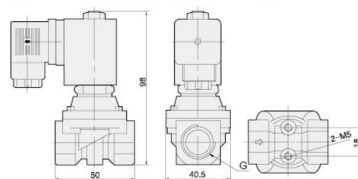
Coil Rating - IP 65
Coil Duty Cycle - 100%

Main Dimensions

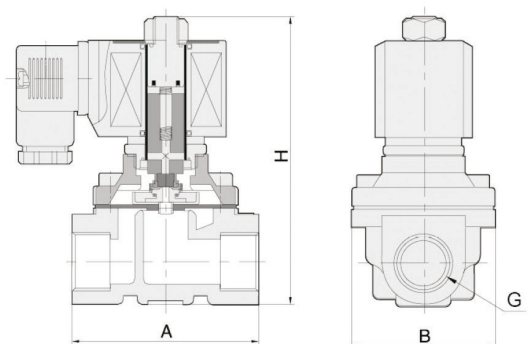
Orifice: 2.5mm - Port: 1/8" & 1/4"



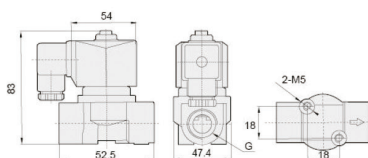
Orifice: 10mm - Port: 1/4", 3/8, 1/2"



Large Orifice - See Table Opposite



Orifice: 2.5mm - Port: 1/8" & 1/4"



2/2 Solenoid Valve Normally Closed

Valve Specification

Port Size (G)	Orifice	CV Value	Pressure Difference (Bar)							Max. Temp. (°C)	VA AC 230V	W DC 24V	Diaphragm	Main Dimension
			Min.	Max. Working Pressure										Ax Bx H
				Air / Gas		Water / Hot Liquid		Light Oil ≤20CST						
				AC	DC	AC	DC	AC	DC					
1/8"	2.5	0.23	0	7	5	7	5	7	5	80	13	8.5	NBR	
	2.5	0.23	0	7	5	7	5	-	-	120	13	8.5	EPDM	
	2.5	0.23	0	7	5	7	5	7	5	120	13	8.5	VITON	
1/4"	2.5	0.23	0	7	5	7	5	7	5	80	13	8.5	NBR	
	2.5	0.23	0	7	5	7	5	-	-	120	13	8.5	EPDM	
	2.5	0.23	0	7	5	7	5	7	5	120	13	8.5	VITON	
	10	1	0	20	16	20	16	20	16	80	22	13	NBR	
	10	1	0	20	16	20	16	-	-	120	22	13	EPDM	
	10	1	0	20	16	20	16	20	16	120	22	13	VITON	
3/8"	4	0.6		8	5	8	5	5	5	80	33	20	NBR	
	4	0.6	0	8	5	8	5	-	-	120	33	20	EPDM	
	4	0.6	0	8	5	8	5	5	5	120	33	20	VITON	
	10	1.8	0	20	16	20	16	20	16	80	22	13	NBR	
	10	1.8	0	20	16	20	16	-	-	120	22	13	EPDM	
	10	1.8	0	20	16	20	16	20	16	120	22	13	VITON	
	16	4.8	0	10	6	10	6	7	4	80	33	20	NBR	
	16	4.8	0	10	6	10	6			120	33	20	EPDM	
	16	4.8	0	10	6	10	6	7	4	120	33	20	VITON	
1/2"	10	1.9	0	20	16	20	16	20	16	80	22	13	NBR	
	10	1.9	0	20	16	20	16	-	-	120	22	13	EPDM	
	10	1.9	0	20	16	20	16	20	16	120	22	13	VITON	
	16	4.8	0	10	6	10	6	7	4	80	33	20	NBR	
	16	4.8	0	10	6	10	6			120	33	20	EPDM	
	16	4.8	0	10	6	10	6	7	4	120	33	20	VITON	
3/4"	20	7.6	0	10	6	10	6	7	4	80	33	20	NBR	73x57x114
	20	7.6	0	10	6	10	6			120	33	20	EPDM	73x57x114
	20	7.6	0	10	6	10	6	7	4	120	33	20	VITON	73x57x114
1"	25	12	0	10	6	10	6	7	4	80	33	20	NBR	99x77x121
	25	12	0	10	6	10	6			120	33	20	EPDM	99x77x121
	25	12	0	10	6	10	6	7	4	120	33	20	VITON	99x77x121
	25	12	0	10	6	3	3			120	33	20	Silicon Rubber	99x77x121
1.1/4"	35	24	0	10	6	10	6	7	4	80	70	40	NBR	112x86.5x150
	35	24	0	10	6	10				120	70	40	EPDM	112x86.5x150
	35	24	0	10	6	10	6	7	4	120	70	40	VITON	112x86.5x150
1.1/2"	40	29	0	10	6	10	6	7	4	80	70	40	NBR	123x94x160
	40	29	0	10	6	10				120	70	40	EPDM	123x94x160
	40	29	0	10	6	10	6	7	7	120	70	40	VITON	123x94x160
2"	50	48	0	10	6	10	6	7	4	80	70	40	NBR	168x123x183
	50	48	0	10	6	10				120	70	40	EPDM	168x123x183
	50	48	0	10	6	10	6	7	4	120	70	40	VITON	168x123x183
1" Flange Connection	25	12	0	10	6	10	6	7	4	80	70	40	NBR	140x115x160
	25	12	0	10	6	10				120	70	40	EPDM	140x115x160
	25	12	0	10	6	10	6	7	4	120	70	40	VITON	140x115x160
1.1/4" Flange Connection	32	24	0	10	6	10	6	7	4	80	70	40	NBR	152x135x215
	32	24	0	10	6	10				120	70	40	EPDM	152x135x215
	32	24	0	10	6	10	6	7	4	120	70	40	VITON	152x135x215
1.1/2" Flange Connection	40	29	0	10	6	10	6	7	4	80	70	40	NBR	152x135x215
	40	29	0	10	6	10				120	70	40	EPDM	152x135x215
	40	29	0	10	6	10	6	7	4	120	70	40	VITON	152x135x215
2" Flange Connection	50	48	0	10	6	10	6	7	4	80	70	40	NBR	195x160x220
	50	48	0	10	6	10	6			120	70	40	EPDM	195x160x220
	50	48	0	10	6	10	6	7	4	120	70	40	VITON	195x160x220
2.1/2" Flange Connection	65	75	0	6	5	6	5	3	2	80	55	64	NBR	250x185x308
	65	75	0	6	5	6	5			120	55	64	EPDM	250x185x308
	65	75	0	6	5	6	5	3	2	120	55	64	VITON	250x185x308
3" Flange Connection	80	90	0	6	5	6	5	3	2	80	55	64	NBR	270x202x320
	80	90	0	6	5	6	5			120	55	64	EPDM	270x202x320
	80	90	0	6	5	6	5	3	2	120	55	64	VITON	270x202x320
4" Flange Connection	100	160	0	6	5	6	5	3	2	80	55	64	NBR	342x222x345
	100	160	0	6	5	6	5			120	55	64	EPDM	342x222x345
	100	160	0	6	5	6	5	3	2	120	55	64	VITON	342x222x345

Please refer to our price list for stocked items

Dimensions in mm

This data sheet is designed as a guide and should not be regarded as wholly accurate in every detail. We reserve the right to amend the specification of any product without notice.