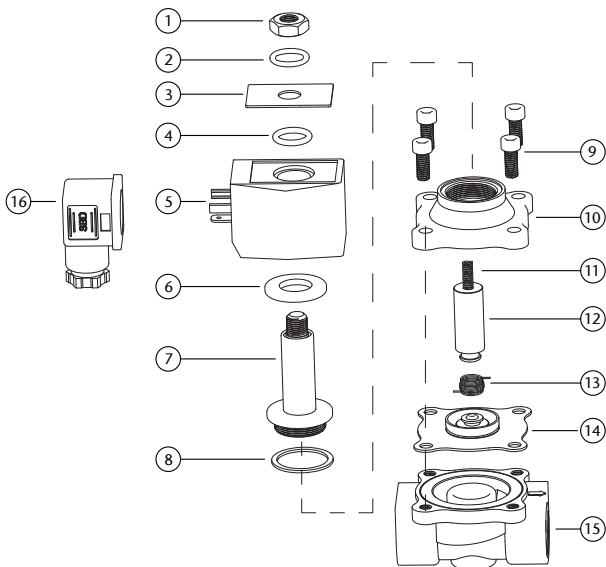


Parts Diagram



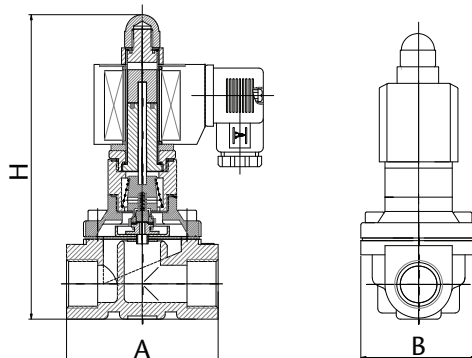
N.	Component	Material
1	Lock Nut	Stainless Steel 302
2	Washer	Stainless Steel 302
3	Plate	Aluminium
4	O Ring	NBR/EPDM/Viton
5	Coil	Enamelled Wire
6	Baseplate	Plated Steel
7	Plunger Tube Unit	Stainless Steel 304 +1J117
8	Plunger Tube Seal	PTFE
9	Bolt	Stainless Steel 302
10	Valve Cover	Brass/Stainless Steel 316
11	Plunger Spring	Stainless Steel 304
12	Pilot Unit	Stainless Steel 304 +1J117
13	Coil Spring	Stainless Steel 304
14	Diaphragm Unit	NBR/EPDM/Viton
15	Valve Body	Brass/Stainless Steel 316
16	Plug	Nylon

Available in 230VAC, 110VAC
12VDC, 24VDC, 24VAC

Thread standard: ISO 228/1

Main Dimensions

See Table Opposite



Coil Rating - IP 65
Coil Duty Cycle - 100%

2/2 Solenoid Valve Normally Open

Valve Specification

Port Size (G)	Orifice	CV Value	Pressure Difference (Bar)							Max. Temp. (°C)	VA AC 230V	W DC 24V	Diaphragm	Main Dimension
			Min.	Max. Working Pressure										AxBxH
				Air / Gas		Water / Hot Liquid		Light Oil ≤20CST						
				AC	DC	AC	DC	AC	DC					
3/8"	4	0.6	0	5	3	5	3	3	3	80	57	32	NBR	52.5x32.5x115
	4	0.6	0	5	3	5	3			120	57	32	EPDM	52.5x32.5x115
	4	0.6	0	5	3	5	3	3	3	120	57	32	VITON	52.5x32.5x115
16	16	4.8	0	5	3	3	5	3	3	80	57	32	NBR	69x57x135
	16	4.8	0	5	3	3	5			120	57	32	EPDM	69x57x135
	16	4.8	0	5	3	3	5	3	3	120	57	32	VITON	69x57x135
1/2"	16	4.8	0	5	3	5	3	3	3	80	57	32	NBR	69x57x135
	16	4.8	0	5	3	5	3			120	57	32	EPDM	69x57x135
	16	4.8	0	5	3	5	3	3	3	120	57	32	VITON	69x57x135
3/4"	20	7.6	0	5	3	5	3	3	3	80	57.2	32	NBR	73x57x142
	20	7.6	0	5	3	5	3			120	57.2	32	EPDM	73x57x142
	20	7.6	0	5	3	5	3	3	3	120	57.2	32	VITON	73x57x142
1"	25	12	0	5	3	5	3	3	3	80	57.2	32	NBR	99x77.5x150
	25	12	0	5	3	5	3			120	57.2	32	EPDM	99x77.5x150
	25	12	0	5	3	5	3	3	3	120	57.2	32	VITON	99x77.5x150
1.1/4"	32	24	0	5	3	5	3	3	3	80	70	40	NBR	112x86.5x180
	32	24	0	5	3	5	3			120	70	40	EPDM	112x86.5x180
	32	24	0	5	3	5	3	3	3	120	70	40	VITON	112x86.5x180
1.1/2"	40	29	0	5	3	5	3	3	3	80	70	40	NBR	123x94x190
	40	29	0	5	3	5	3			120	70	40	EPDM	123x94x190
	40	29	0	5	3	5	3	3	3	120	70	40	VITON	123x94x190
2"	50	48	0	5	3	5	3	3	3	80	70	40	NBR	168x123x216
	50	48	0	5	3	5	3			120	70	40	EPDM	168x123x216
	50	48	0	5	3	5	3	3	3	120	70	40	VITON	168x123x216
1" Flange Connection	25	12	0	5	3	5	3	3	3	80	57	32	NBR	140x115x180
	25	12	0	5	3	5	3			120	57	32	EPDM	140x115x180
	25	12	0	5	3	5	3	3	3	120	57	32	VITON	140x115x180
1.1/4" Flange Connection	32	24	0	5	3	5	3	3	3	80	70	40	NBR	152x135x235
	32	24	0	5	3	5	3			120	70	40	EPDM	152x135x235
	32	24	0	5	3	5	3	3	3	120	70	40	VITON	152x135x235
1.1/2" Flange Connection	40	29	0	5	3	5	3	3	3	80	70	40	NBR	152x145x240
	40	29	0	5	3	5	3			120	70	40	EPDM	152x145x240
	40	29	0	5	3	5	3	3	3	120	70	40	VITON	152x145x240
2" Flange Connection	50	48	0	5	3	5	3	3	3	80	70	40	NBR	195x160x255
	50	48	0	5	3	5	3			120	70	40	EPDM	195x160x255
	50	48	0	5	3	5	3	3	3	120	70	40	VITON	195x160x255

Please refer to our price list for stocked items

Dimensions in mm

This data sheet is designed as a guide and should not be regarded as wholly accurate in every detail. We reserve the right to amend the specification of any product without notice.