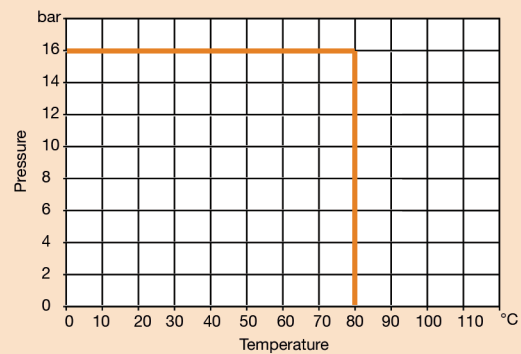


ANSI Solenoid On/Off Control Valve

Features

- Automatic Control Valve
- Suitable for Potable Water Applications
- WRAS Approved Epoxy Coated Body
- Conforms to BS EN 558-1 Series 1
- Flange Conforms to ANSI 150 (B16.42)
- Available Flanged ANSI Class 300
- Stainless Steel Pilot Tubing and Valves, Brass Pilot Solenoid Valve
- Normally Closed and Normally Open Option

Pressure/Temperature



| DN | 50 | 65 | 80 | 100 | 125 | 150 | 200 | 250 | 300 |
|-----|-----------|-----------|-----------|-----------|-------------|-------------|-------------|--------------|--------------|
| L | 230 | 290 | 310 | 350 | 400 | 480 | 600 | 730 | 850 |
| E | 152.4 | 177.8 | 190.5 | 228.6 | 254.0 | 279.4 | 342.9 | 406.4 | 482.6 |
| C | 120.7 | 139.7 | 152.4 | 190.5 | 215.9 | 241.3 | 298.5 | 362.0 | 431.8 |
| n-d | 4- Ø19 | 4- Ø19 | 4- Ø19 | 8- Ø19 | 8- Ø22.4 | 8- Ø22.4 | 8- Ø22.4 | 12- Ø25.4 | 12- Ø25.4 |
| B | 265 | 300 | 310 | 320 | 350 | 385 | 440 | 505 | 560 |
| H | 365 | 385 | 400 | 420 | 450 | 485 | 540 | 605 | 660 |
| H1 | 282 | 293 | 300 | 310 | 325 | 342 | 370 | 402 | 430 |
| Kgs | 12.0 | 16.0 | 22.0 | 29.0 | 64.0 | 68.0 | 131.0 | 314.0 | 418.0 |

| N. | Part Name | Materials |
|----|------------------|---------------------|
| 1 | Body | Ductile Iron |
| 2 | Stem | Stainless Steel 304 |
| 3 | Seat | Stainless Steel 304 |
| 4 | O-Ring | NBR |
| 5 | Disc Ring | NBR |
| 6 | Disc Retailer | Ductile Iron |
| 7 | Disc Guide | Ductile Iron |
| 8 | Diaphragm | NBR + Nylon |
| 9 | Diaphragm Washer | Ductile Iron |
| 10 | Spring | Stainless Steel 304 |
| 11 | Cover Bearing | Stainless Steel 304 |
| 12 | Screw | Stainless Steel 304 |
| 13 | Washer | Stainless Steel 304 |
| 14 | Strainer | Stainless Steel 304 |
| 15 | Solenoid Valve | Brass |
| 16 | Cover | Stainless Steel 304 |
| 17 | Plug | Stainless Steel 304 |
| 18 | Ball Valve | Stainless Steel 304 |

Technical Data

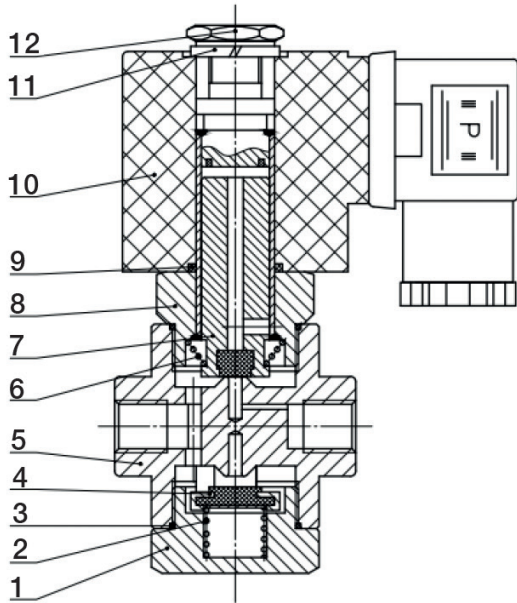
| | |
|---------------------|--------------|
| Max Pressure | 16 Bar |
| Working Temperature | 0°C to +80°C |

Dimensions in mm

This data sheet is designed as a guide and should not be regarded as wholly accurate in every detail. We reserve the right to amend the specification of any product without notice.

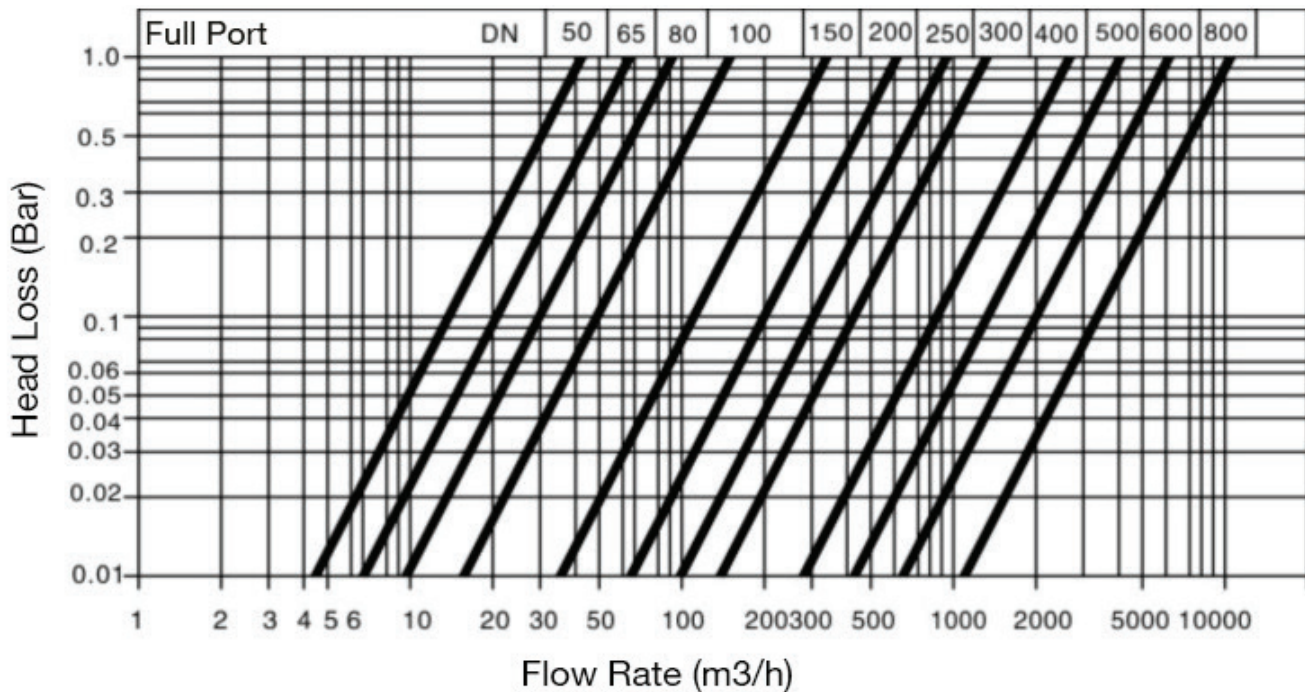
Pilot Valve Detail - ART 6650 NC / ART 6675 NO

Pilot Valve



| N. | Part Name | Materials |
|----|-------------------|---------------------|
| 1 | Nut | HPb59-1 |
| 2 | Spring | Stainless Steel 304 |
| 3 | O-Ring | NBR |
| 4 | Part Sub-assembly | ABS |
| 5 | Body | HPB59-1 |
| 6 | Spring | Stainless Steel 304 |
| 7 | Part Sub-assembly | ABS + NBR |
| 8 | Part Sub-assembly | ABS + NBR |
| 9 | O-Ring | NBR |
| 10 | Coil | Copper + PVF |
| 11 | Gasket | 65Mn |
| 12 | Nut | A3 |

Flow curve of the main valve at fully open status



Dimensions in mm

This data sheet is designed as a guide and should not be regarded as wholly accurate in every detail. We reserve the right to amend the specification of any product without notice.