

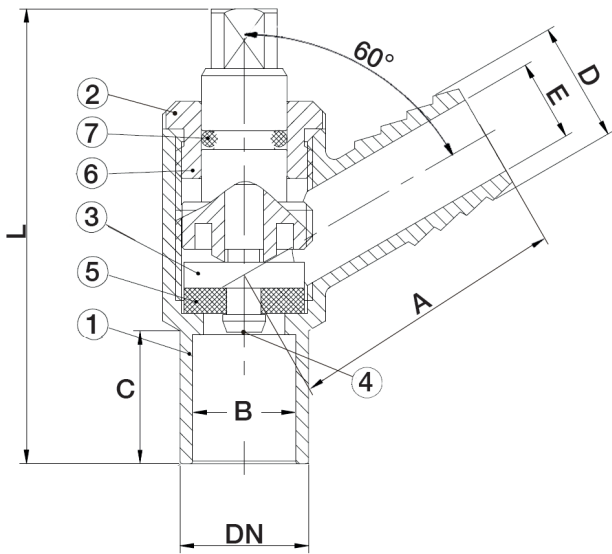
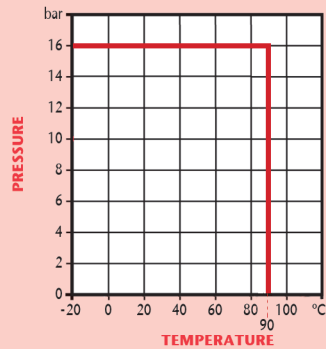


Brass Drain Cock

Features

- Male spigot
- BS 2879/2 Type A
- Hose connection outlet
- WRAS Approved

Pressure / Temperature



DN	15
A	35
B	Ø9.5
C	15.5
D	Ø14
E	Ø9.7
L	51.5-56.0
Kgs	0.07

Technical Data

Max Pressure	16 Bar
Max Temperature	-20°C to +90°C

N.	Part Name	Materials
1	Body	Brass - HPb59-T
2	Bonnet	Brass - HPb59-T
3	Stem	Brass - HPb59-T
4	Baffle	Brass - HPb59-T
5	Washer	EPDM
6	Lock Nut	Brass - HPb59-T
7	O-Ring	EPDM

Dimensions in mm

This data sheet is designed as a guide and should not be regarded as wholly accurate in every detail. We reserve the right to amend the specification of any product without notice.