

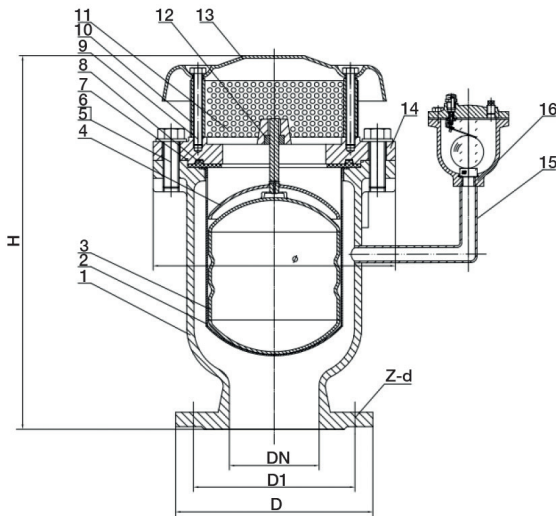
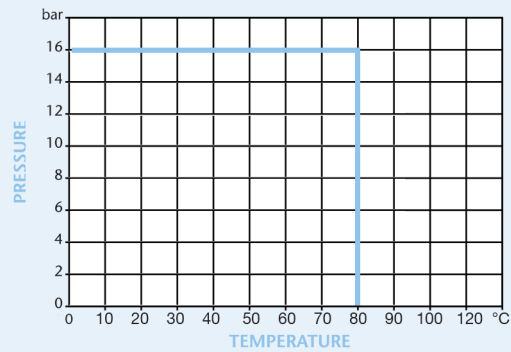
Flanged Double Orifice Air Release Valve

Features

- Flange Mounting PN16 Only
- Flange conforms to BS EN1092 PN16
- WRAS approved coating
- Internally and externally fusion bonded epoxy coated



Pressure/Temperature



DN	50	65	80	100	150	200
H	300	330	330	350	420	470
D	165	185	200	220	285	340
D1	125	145	160	180	240	295
Z-d	4-19	4-19	8-19	8-19	8-23	8-23/ 12-23
Ø	305	330	330	345	385	440
Kgs	20	24	27	54	61	75

N.	Part Name	Materials
1	Body	Ductile Iron
2	Sleeve	Stainless Steel 304
3	Ball	Stainless Steel 304
4	Disc	Stainless Steel 304
5	Bolt	Stainless Steel 304
6	Washer	Stainless Steel 304
7	O-Ring	NBR
8	Gasket	NBR
9	Bolt	Stainless Steel 304
10	Disc	Stainless Steel 304
11	Screen	Stainless Steel 304
12	Disc Guide	HPb59-1
13	Cover	Ductile Iron
14	Adaptor	Ductile Iron
15	Fitting	Stainless Steel 304
16	Air Release Valve	Ductile Iron + Stainless Steel 304

Technical Data

Max Pressure	16 Bar
Working Temperature	0°C to +80°C

Dimensions in mm

This data sheet is designed as a guide and should not be regarded as wholly accurate in every detail. We reserve the right to amend the specification of any product without notice.