

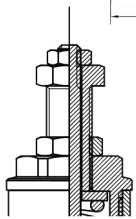
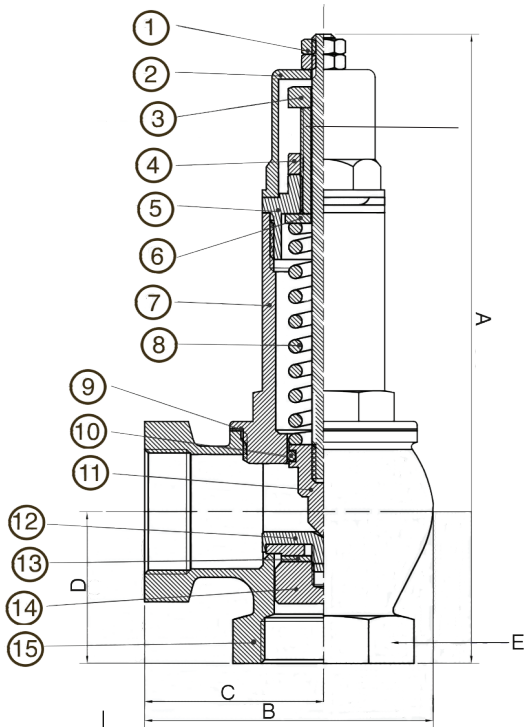
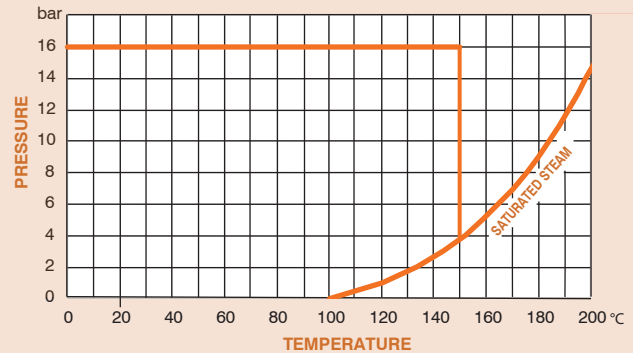


Brass Adjustable Pressure Relief Valve

Features

- Screwed BSP Parallel (ISO 228/1)
- Adjustable Range 0.5 to 16 Bar
- Suitable for gases, liquids and steam
- Complies to Directive PED 97/23/EC
- Manual test function
- Suitable for use as a Bypass Valve
- This product should not be used as a safety valve

Pressure / Temperature



Alternative top on 2 1/2 and 3" valves.

DN	1/2"	3/4"	1"	1 1/4"	1 1/2"	2"	2 1/2"	3"
A	136	158	169	207	230	259	305	315
B	56	64	76	90	100	124	135	145
C	35.5	39.5	47	56	62.5	75	79.5	84.5
D	30	32	40	44	47	60	69	78
E	28	35	41	49	56	71	88	100
Kgs	0.47	0.69	0.97	1.57	2.04	3.18	4.52	5.30

N.	Part Name	Materials
1	Nut and locknut	Brass
2	Housing cap	Brass
3	Regulator	Brass
4	Locknut regulator	Brass
5	Regulator seat	Brass
6	Spring pusher	Brass
7	Bonnet	Brass
8	Spring	Steel
9	Gasket	Pressed fibre
10	O-ring	EPDM rubber
11	Rod	Brass
12	Valve seat	Brass
13	Valve gasket	EPDM rubber
14	Valve nut	Brass
15	Body	Brass

Technical Data

Max Pressure	16 Bar
Adjustable Pressure Range	0.5 - 16 Bar
Working Temperature	0°C to +150°C

Dimensions in mm

This data sheet is designed as a guide and should not be regarded as wholly accurate in every detail. We reserve the right to amend the specification of any product without notice.