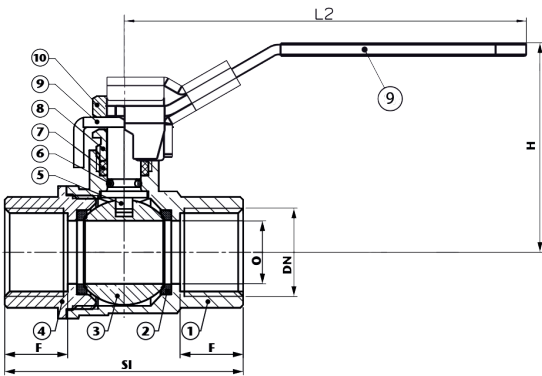




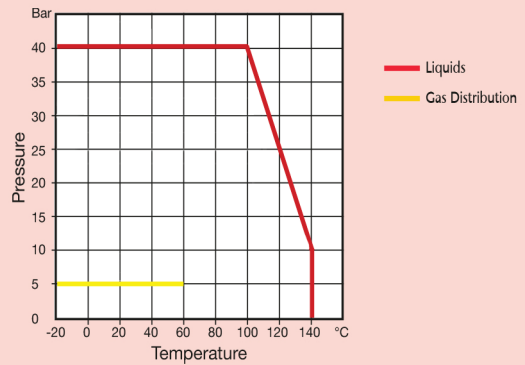
PN40 Brass Ball Valve Complete with Locking Lever

Features

- Screwed BSP Parallel (ISO 228/1)
- Anti-Blow-Out Stem
- PTFE Seats & Seals
- Full Bore
- WRAS & EN331 Approved



Pressure / Temperature



Technical Data - Gas Distribution

Max Pressure	5 Bar
Working Temperature	-20°C to +60°C

Technical Data

Max Pressure	40 Bar
Working Temperature	-20°C to +140°C

DN	1/2"	3/4"	1"	1 1/4"	1 1/2"	2"
O	14.5	19	24.5	31.5	40	49
F	15	18	19.5	20	21	26.5
S1	57	67	77	88	99	121
H	52	49	62	81	90	96
L2	100	100	125	150	150	165
Kgs	0.29	0.35	0.50	0.70	1.04	1.44

N.	Part Name	Materials
1	Body	Brass/Nickel Plated
2	Seat	PTFE
3	Ball	Brass/Chrome Plated
4	Body End	Brass/Nickel Plated
5	Stem	Brass
6	'O' Ring	NBR
7	Stem Packing	PTFE
8	Lock Nut	Brass
9	Lockable Lever	Steel/PVC Plastic Coated
10	Nut	Steel

Dimensions in mm

This data sheet is designed as a guide and should not be regarded as wholly accurate in every detail. We reserve the right to amend the specification of any product without notice.