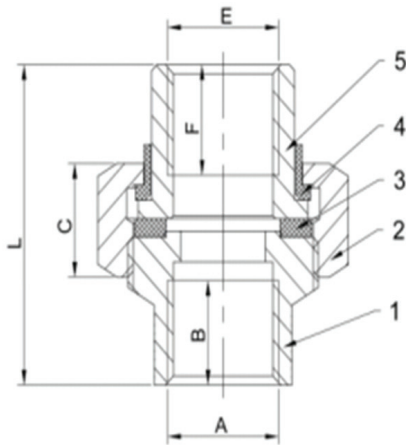
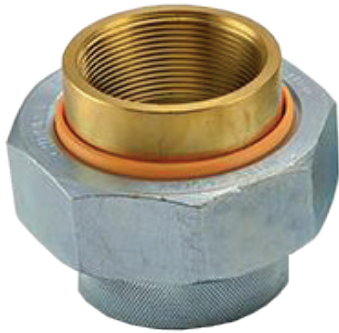


DEUFF



- Female iron pipe thread to female brass thread
- Available with BSP Parallel threads (ISO 228/1) or NPT threads (ANSI B1.20.1)
- Complies with ASSE 1079

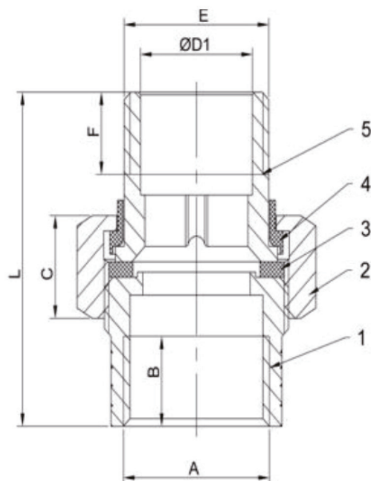
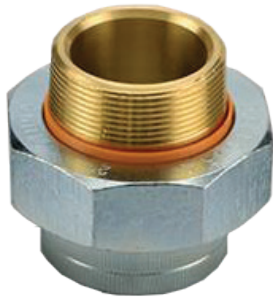
Technical Data

Max Pressure 17.2 Bar (250psi)
Max Temperature 82°C (180°F)

DN	1/2"	3/4"	1"	1 1/4"	1 1/2"	2"
A	G1/2"	G3/4"	G1"	G1 1/4"	G1 1/2"	G2"
B	17	18	20	21	22	24
C	20	22	22	25	28	33
E	G1/2"	G3/4"	G1"	G1 1/4"	G1 1/2"	G2"
F	18	19	23	25	25	27
L	52	56	63	68	74	81
Kgs	0.25	0.26	0.29	0.43	0.65	1.10

N.	Part Name	Materials
1	IPS Connection	Steel / Zinc Plated
2	Nut	Steel / Zinc Plated
3	Gasket	EPDM
4	Insert	Plastic
5	Connection	Brass

DEUMF



- Female iron pipe thread to male brass pipe threaded connections
- Available with BSP Parallel threads (ISO 228/1) or NPT threads (ANSI B1.20.1)
- Complies with ASSE 1079

Technical Data

Max Pressure 17.2 Bar (250psi)
Max Temperature 82°C (180°F)

DN	1/2"	3/4"	1"	1 1/4"	1 1/2"	2"
A	G1/2"	G3/4"	G1"	G1 1/4"	G1 1/2"	G2"
B	16.5	17	18	20	20	22
C	19	20	22	25	28	28
E	G1/2"	G3/4"	G1"	G1 1/4"	G1 1/2"	G2"
F	15	17	16	18	20	20.5
L	57	59.5	67	73	75	79
Kgs	0.18	0.25	0.33	0.70	1.41	1.25

N.	Part Name	Materials
1	IPS Connection	Steel / Zinc Plated
2	Nut	Steel / Zinc Plated
3	Gasket	EPDM
4	Insert	Plastic
5	Connection	Brass

Dimensions in mm

This data sheet is designed as a guide and should not be regarded as wholly accurate in every detail. We reserve the right to amend the specification of any product without notice.