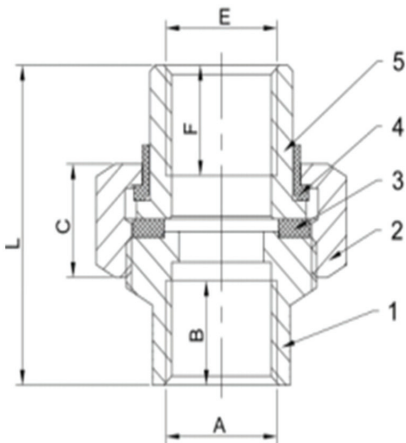
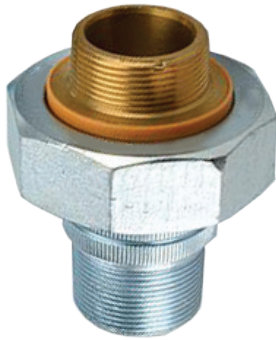


## DEUMM



- Male iron pipe thread to male brass pipe threaded connections
- Available with BSP Parallel threads (ISO 228/1) or NPT threads (ANSI B1.20.1)
- Complies with ASSE 1079

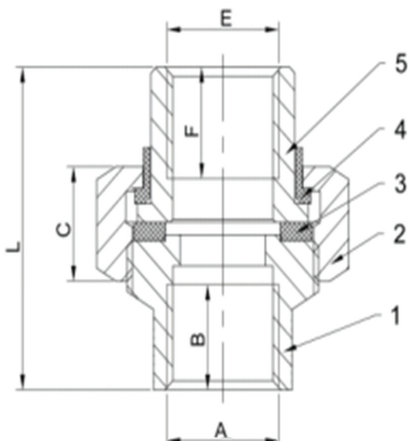
### Technical Data

Max Pressure 17.2 Bar (250psi)  
Max Temperature 82°C (180°F)

DN	1/2"	3/4"	1"	1 1/4"	1 1/2"	2"
A	G1/2"	G3/4"	G1"	G1 1/4"	G1 1/2"	G2"
B	40	42	50	51	52	54
C	19	20	22	25	28	28
E	G1/2"	G3/4"	G1"	G1 1/4"	G1 1/2"	G2"
F	16	18	20	22	22	20.5
L	77	82	94	100	106	112
Kgs	0.24	0.32	0.51	0.96	1.78	1.68

N.	Part Name	Materials
1	IPS Connection	Steel / Zinc Plated
2	Nut	Steel / Zinc Plated
3	Gasket	EPDM
4	Insert	Plastic
5	Connection	Brass

## DEUSF



- Female iron pipe thread to brass solder end
- Available with BSP Parallel threads (ISO 228/1) or NPT threads (ANSI B1.20.1)
- Complies with ASSE 1079

### Technical Data

Max Pressure 17.2 Bar (250psi)  
Max Temperature 82°C (180°F)

DN	1/2"	3/4"	1"	1 1/4"	1 1/2"	2"
A	G1/2"	G3/4"	G1"	G1 1/4"	G1 1/2"	G2"
B	16	17	18	21	20	22
C	19	20	22	23	25	28
E	G1/2"	G3/4"	G1"	G1 1/4"	G1 1/2"	G2"
F	15	16	18	23	20	20.5
L	46	52	58	65	71	75
Kgs	0.23	0.31	0.49	0.68	1.38	1.76

N.	Part Name	Materials
1	IPS Connection	Steel / Zinc Plated
2	Nut	Steel / Zinc Plated
3	Gasket	EPDM
4	Insert	Plastic
5	Solder Connection	Brass

Dimensions in mm

This data sheet is designed as a guide and should not be regarded as wholly accurate in every detail. We reserve the right to amend the specification of any product without notice.