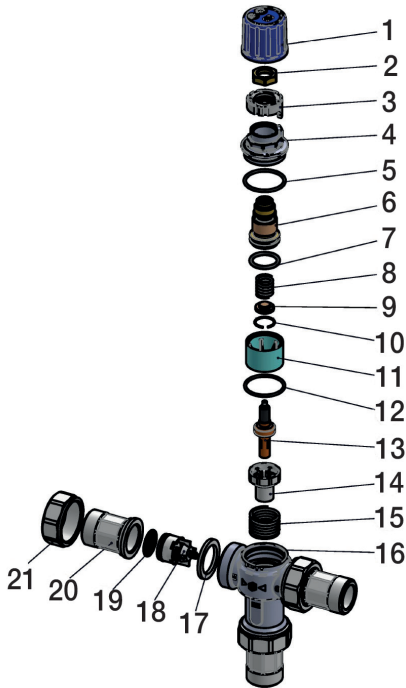
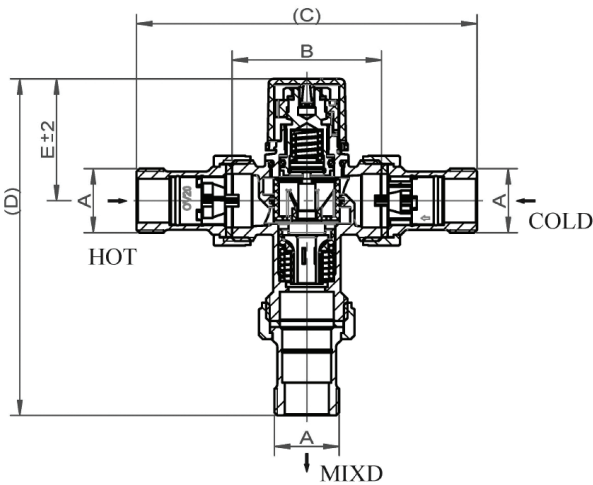




Thermostatic Mixing Valve (TMV)

Features

- Cold water supply temperature 5°C - 25°C
- Hot water supply temperature 55°C - 65°C
- Temperature adjustment range 30°C - 50°C
- Pre-set thermostatic controller 41°C
- Accuracy of outlet temperature ±2°C
- Min. temperature differential 12°C (between hot supply and outlet temp)
- Supply pressure imbalance dynamic 2:1
- Flow rate minimum 5 Litres/min
- DZR Brass Body
- WRAS Approved
- Certified to TMV2 and TMV3



Technical Data

Max Pressure (Static)	10 Bar
Max Pressure (Dynamic)	5 Bar
Temperature Adjustment Range	30°C - 50°C

Dimensions in mm

This data sheet is designed as a guide and should not be regarded as wholly accurate in every detail. We reserve the right to amend the specification of any product without notice.

DN	1/2"	3/4"
A	G1/2"	G3/4"
B	59	61
C	114	135
D	126	137
E	50.9	50.9
Kgs	0.51	0.73

N.	Part Name	Materials
1	Cap	ABS
2	Locking Cap	Brass - CW617N
3	Locating Ring	POM+25%GF
4	Bonnet	DZR Brass - CW602N chrome plated
5	O-ring	EPDM WRAS Approved
6	Stem	DZR Brass - CW602N
7	O-ring	EPDM WRAS Approved
8	Spring	Stainless Steel
9	Block	DZR Brass - CW602N
10	Circlip	Stainless Steel
11	Piston	PSU
12	O-ring	EPDM WRAS Approved
13	Thermostat	Subassembly
14	Water Flow Directors	PSU
15	Spring	Stainless Steel
16	Valve Body	DZR Brass - CW602N Chrome plated
17	Gasket	EPDM WRAS Approved
18	Check Valve	Element WRAS Approved
19	Strainer	Stainless Steel
20	Connect Pipe	DZR Brass - CW602N Chrome plated
21	Union Nut	Brass - CW617N Chrome plated