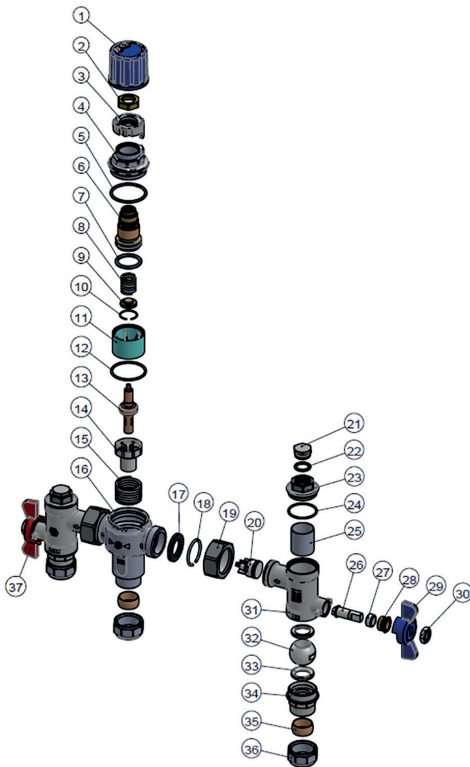
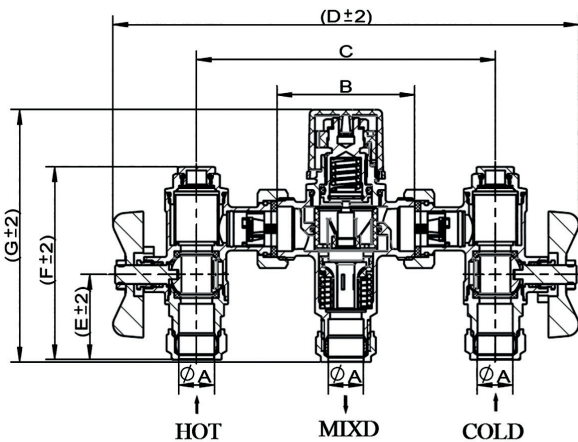


Thermostatic Mixing Valve (TMV)



Features

- Cold water supply temperature 5°C - 25°C
- Hot water supply temperature 55°C - 65°C
- Temperature adjustment range 30°C - 48°C
- Factory set thermostatic controller 42°C 0/2°C
- Accuracy of outlet temperature ±2°C
- Min. temperature differential 12°C (between hot supply and outlet temp)
- Supply pressure imbalance dynamic 2:1
- Flow rate minimum 5 Litres/min
- DZR Brass Body
- WRAS Approved
- Certified to TMV2 and TMV3



DN	15	22
A	∅15.1	∅22.1
B	59	61
C	128	129
D	200	201
E	36	38
F	82	86
G	108	110
Kgs	0.82	1.01

N.	Part Name	Materials
1	Cap	ABS
2	Locking Cap	Brass - CW617N
3	Locating Ring	POM+25%GF
4, 23, 34	Bonnet	DZR Brass - CW602N chrome plated
5, 7, 12, 22, 24	O-ring	EPDM WRAS Approved
6, 26	Stem	DZR Brass - CW602N
8, 15	Spring	Stainless Steel
9	Block	DZR Brass - CW602N
10, 18	Circlip	Stainless Steel
11	Piston	PSU
13	Thermostat	Subassembly
14	Water Flow Directors	PSU
16	Valve Body	DZR Brass - CW602N Chrome plated
17	Gasket	EPDM WRAS Approved
19	Union Nut	Brass - CW617N Chrome plated
20	Check Valve	Element WRAS Approved
21	Plug	DZR Brass - CW602N Chrome plated
25	Screen	Stainless Steel
27	Packing	PTFE WRAS Approved
28	Packing Nut	Brass - CW617N
29, 37	Lever	Aluminium Alloy
30	Locknut	Steel dacromet plated
31	Body	DZR Brass - CW602N Chrome plated
32	Ball	DZR Brass - CW602N chrome plated
33	Seat	PTFE WRAS Approved
35	Sleeve	CW507L
36	Union Nut	DZR Brass - CW602N chrome plated

Technical Data

Max Pressure (Static)	10 Bar
Max Pressure (Dynamic)	5 Bar
Temperature Adjustment Range	30°C - 48°C

Dimensions in mm

This data sheet is designed as a guide and should not be regarded as wholly accurate in every detail. We reserve the right to amend the specification of any product without notice.