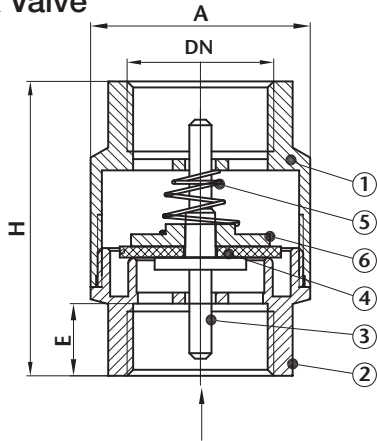
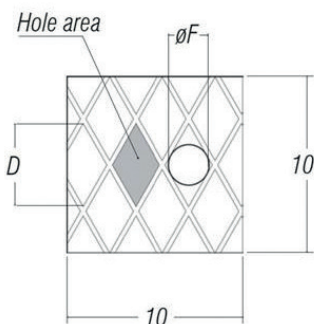
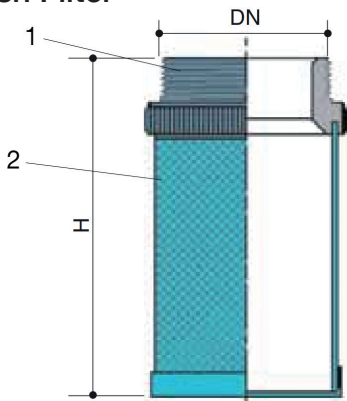




Check Valve



Mesh Filter



## Foot Valve

### Features

- PN20 Brass Spring Check Valve with Stainless Steel Mesh Filter
- Screwed BSP Parallel (ISO 228/1)
- Check Valve has Brass Body and Brass Disc
- NBR Seat

### Check Valve

DN	1/2"	3/4"	1"	1 1/4"	1 1/2"	2"	2 1/2"	3"	4"
A	33	39	45	55	60	79	95	110	143
H	47	49	58	65	70	83	100	107	111
E	12	14	14.5	14.5	16	18.5	22	24	24
Kgs	0.13	0.18	0.26	0.40	0.59	0.84	1.50	1.92	3.05

N.	Part Name	Material
1	Body	Brass
2	Bonnet	Brass
3	Disc Holder	Brass
4	Disc	Brass / NBR
5	Spring	Stainless Steel 304
6	Spring Holder	Brass

### Mesh Filter

DN	1/2"	3/4"	1"	1 1/4"	1 1/2"	2"	2 1/2"	3"	4"
H	57	56	59	67	68	89	97	107	119
nr.holes/cm <sup>2</sup>	24	24	24	24	24	24	24	24	24
Hole area	1.1 <sup>2</sup>	1.1 <sup>2</sup>	1.1 <sup>2</sup>	1.1 <sup>2</sup>	1.1 <sup>2</sup>	1.1 <sup>2</sup>	1.1 <sup>2</sup>	1.1 <sup>2</sup>	1.1 <sup>2</sup>
D	2.6	2.6	2.6	2.6	2.6	2.6	2.6	2.6	2.6
ØF	0.85	0.85	0.85	0.85	0.85	0.85	0.85	0.85	0.85
Kgs	0.03	0.04	0.07	0.09	0.10	0.20	0.23	0.32	0.49

N.	Part Name	Material
1	Mesh Filter	Stainless Steel
2	Connection	Nylon

### Technical Data

Max Pressure	1/2" - 1"	16 Bar
	1 1/4" - 2"	10 Bar
	2 1/2" - 4"	8 Bar
Working Temperature	0°C to +90°C	

Dimensions in mm

This data sheet is designed as a guide and should not be regarded as wholly accurate in every detail. We reserve the right to amend the specification of any product without notice.