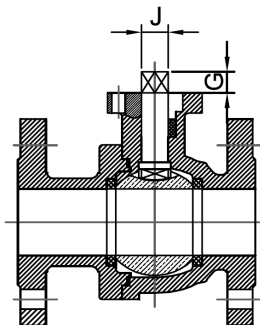
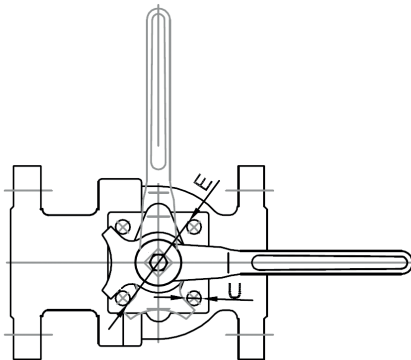
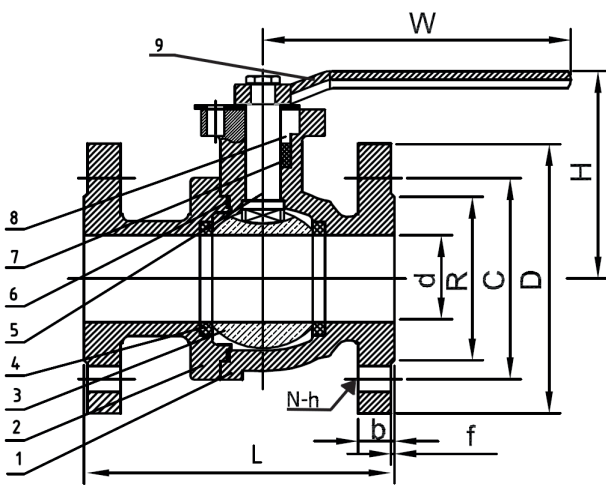


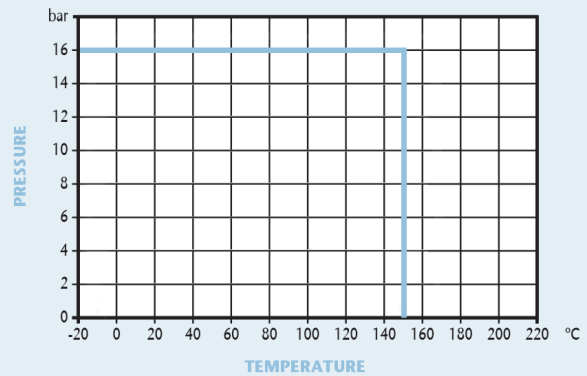
Ductile Iron Ball Valve Flanged Ends

Features

- Flange Mounting PN16 only
- ISO 5211 Direct Mount
- Inside and outside epoxy coating
- Blow Out Proof Stem
- Stainless Steel Ball



Pressure / Temperature



DN	25	32	40	50	65	80	100	125	150	200
d	25	32	40	50	65	80	100	125	150	200
L	125	130	140	150	170	180	190	200	210	400
D	115	140	150	165	185	200	220	250	285	340
C	85	100	110	125	145	160	180	210	240	295
R	65	76	84	99	118	132	156	184	211	266
b	16	18	18	18	19	19	19	19	19	22
f	2	2	2	2	2	2	2	2	2	2
N	4	4	4	4	4	8	8	8	8	12
h	14	19	19	19	19	19	19	19	23	23
E	50	70	70	70	70	70	102	102	125	140
U	8	10	10	10	10	10	12	12	18	18
W	150	190	190	225	270	300	320	650	760	760
H	110	128	135	145	170	190	220	270	300	330
J	11*11	14*14	14*14	14*14	14*14	17*17	22*22	22*22	27*27	27*27
G	18	18	20	20	22	22	22	35	35	45
Torque (N.M)	15	20	20	25	50	75	120	180	300	600
Kgs	4.0	6.7	7.3	9.5	13.5	15.2	20.6	29.4	36.5	84.8

No.	Part Name	Material
1	Body	Ductile Iron
2	Bonnet	Ductile Iron
3	Ball	Stainless Steel 304
4	Seat	PTFE
5	Stem	Stainless Steel 410
6	Gasket	PTFE
7	Stem Packing	PTFE
8	Gland Nut	Carbon Steel
9	Handle	Ductile Iron

Technical Data

Maximum Pressure 16 Bar
Working Temperature -20°C to +150°C

Dimensions in mm

This data sheet is designed as a guide and should not be regarded as wholly accurate in every detail. We reserve the right to amend the specification of any product without notice.