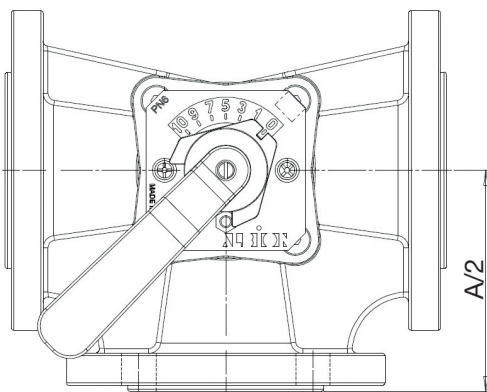
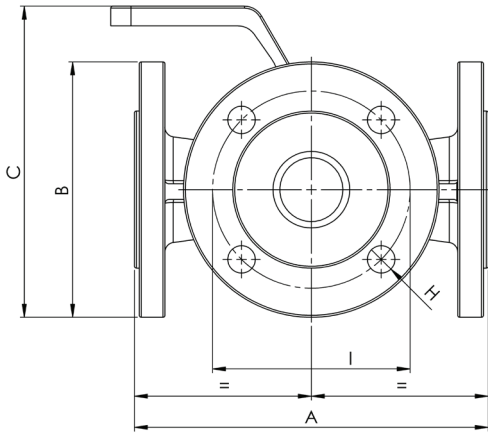


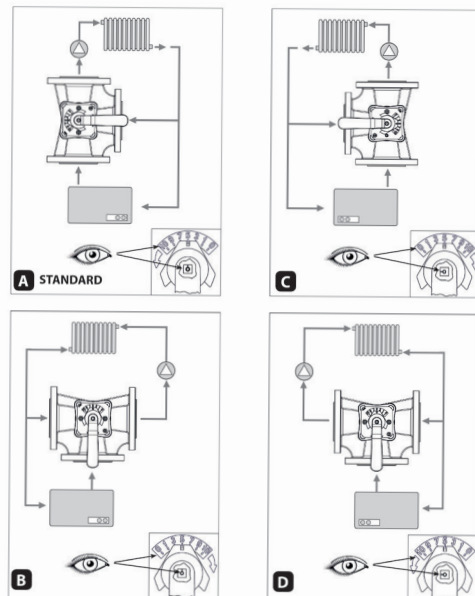
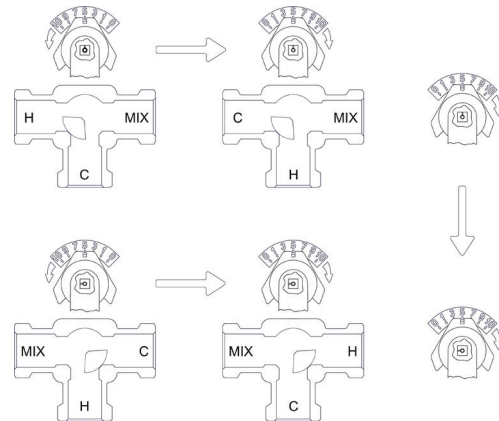
3 Port Flanged Rotary Mixing Valve

Features

- Cast Iron body and plug (EN-GJL-250)
- Hydraulic tightness: EPDM
- Handle: ABS
- Manual or Actuated Operation
- Suitable fluids: Water, glycol water (max 30%)
- Connections: Flanged connections ISO 7005



DN	40	50	65	80	100	125	150
Kv	41	65	100	185	310	510	820
A	180	200	200	234	260	296	350
A/2	90	100	100	117	130	148	175
B	130	140	160	190	210	240	265
C	160	170	190	210	240	270	300
H	14	14	14	18	18	18	18
I	100	110	130	150	170	200	225
Hole N°	4	4	4	4	4	8	8
Kgs	7	9	11	15	22	34	50



Technical Data

Max Pressure	6 Bar (PN6)
Working Temperature	-10°C to +110°C
Rotor's rotation angle:	90°
Leakage:	DN40 - DN100 0.1% del Kvs DN125 - DN150 0.5% del Kvs

Dimensions in mm

This data sheet is designed as a guide and should not be regarded as wholly accurate in every detail. We reserve the right to amend the specification of any product without notice.