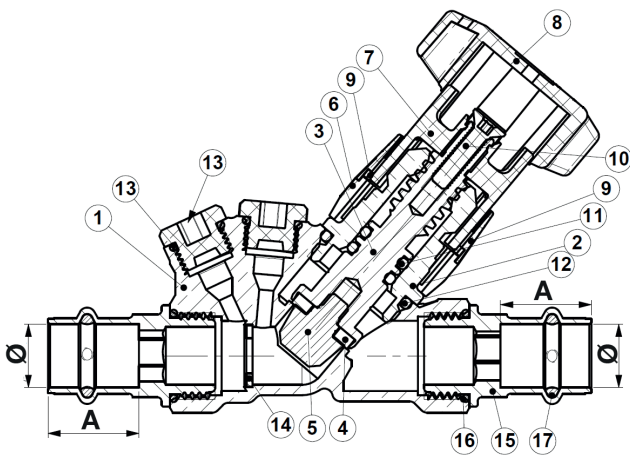
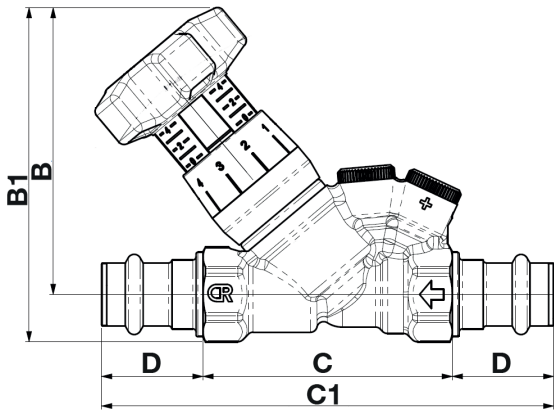


DZR Double Regulating Valve (DRV)

Features

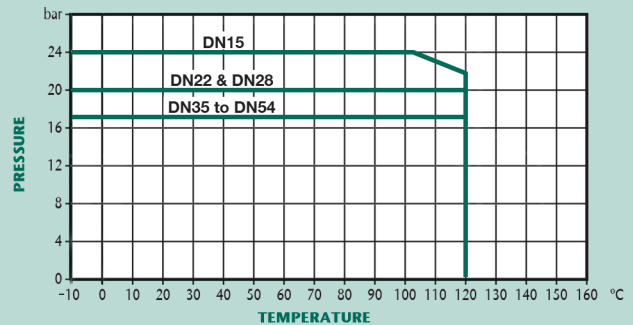
- Universal M & V Profile 15mm to 35mm
- Dedicated M Profile 42mm & 54mm
- Handwheel with shut off function and clear 360° reading
- Digital scale with lock function
- Conforms to BS 5154
- 5 Year Warranty



Technical Data

Max Pressure	DN15	24 Bar
	DN22 & DN28	20 Bar
	DN35 to DN54	17 Bar
Working Temperature	-10°C to 120°C	

Pressure / Temperature



DN	15L	15	22	28	35	42	54
Ø	15.3	15.3	22.4	28.3	35.3	42.4	55.6
A	22	22	25	27	27	32	33
B	83.4	83.4	82.2	84.2	86.9	106.7	103.6
B1	97.1	97.1	99.5	104.4	111.9	136.2	138.6
C	72.5	72.5	82	95	122	138	161
C1	131.5	131.5	150	167	194	223	255
D	29.5	29.5	34	36	36	42.5	47
Kv	0.533	2.00	3.88	7.28	13.39	18.60	30.10
Kgs	0.45	0.46	0.55	0.72	1.15	1.71	2.03

N.	Part Name	Materials
1	Valve Body	DZR Brass - CW602N-M
2	Bonnet	DZR Brass - CW602N-M
3	Stem for Shutter	DZR Brass - CW602N-M
4	Shutter Gasket	EPDM
5	Disc	DZR Brass - CW602N-M
6	Fixed Index	POM
7	Entrainer	Nylon 6
8	Knob	Nylon 6
9	Tenth Turn Index	POM
10	Memory Screw	Steel
11	Stem O-Ring	EPDM
12	Bonnet O-Ring	EPDM
13	Plug with O-Ring NBR	Nylon 6.6 / NBR 70SH
14	Fixed Orifice	DZR Brass - CW602N-M
15	Joint	DZR Brass - CW511L-DW
16	O-Ring	EPDM
17	O-Ring	EPDM

Dimensions in mm

This data sheet is designed as a guide and should not be regarded as wholly accurate in every detail. We reserve the right to amend the specification of any product without notice.