

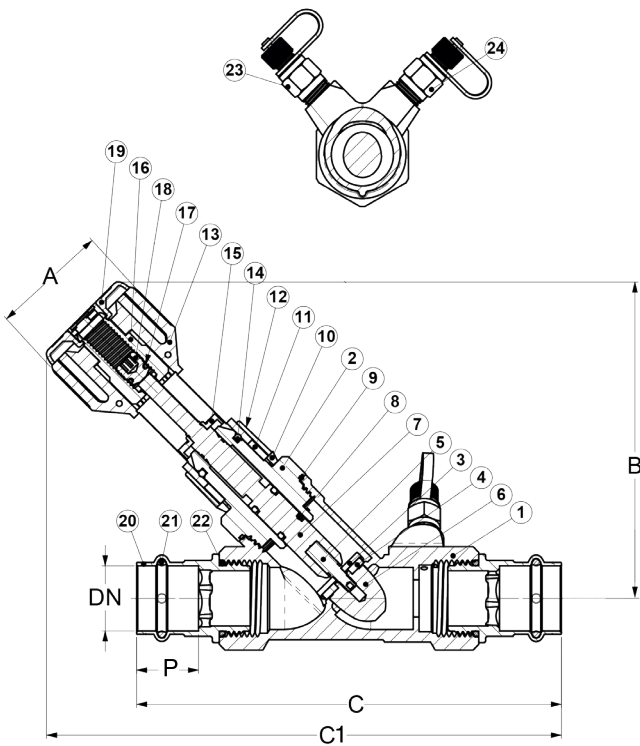
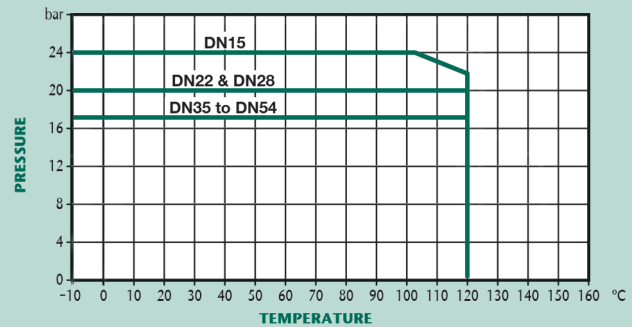


DZR Fixed Orifice Double Regulating Valve (FODRV)

Features

- Universal M & V Profile 15mm to 35mm
- Dedicated M Profile 42mm & 54mm
- Conforms to BS 7350 / BS 5154
- Fixed orifice with $\pm 5\%$ flow measurement accuracy
- 5 Year Warranty

Pressure / Temperature



| DN | 15 | 22 | 28 | 35 | 42 | 54 |
|-----|------|------|------|------|------|------|
| A | 51 | 51 | 51 | 51 | 57 | 57 |
| B | 111 | 129 | 138 | 142 | 181 | 190 |
| C | 169 | 190 | 207 | 238 | 266 | 313 |
| C1 | 205 | 233 | 235 | 256 | 307 | 329 |
| P | 40 | 44 | 44 | 43 | 48 | 54 |
| CH | 28 | 33 | 40 | 43 | 56 | 71 |
| Kv | 1.8 | 3.8 | 7.0 | 15.8 | 21.1 | 43.9 |
| Kvs | 1.8 | 4.1 | 7.5 | 16.6 | 23.0 | 47.4 |
| Kgs | 0.87 | 1.20 | 1.48 | 2.15 | 3.09 | 4.76 |

| N. | Part Name | Materials |
|----|---------------------|---------------|
| 1 | Body | DZR Brass |
| 2 | Bonnet | DZR Brass |
| 3 | Gasket Support | DZR Brass |
| 4 | Gasket | EPDM |
| 5 | Stem for Shutter | DZR Brass |
| 6 | Shutter | DZR Brass |
| 7 | Stem | DZR Brass |
| 8 | O-Ring | EPDM PEROX |
| 9 | O-Ring | EPDM PEROX |
| 10 | Turn Index | Hostaform |
| 11 | Outdistance | Nylon |
| 12 | 1/10 Turn Index | Hostaform |
| 13 | Knob | Hostaform |
| 14 | Pin | Steel |
| 15 | Index | Hostaform |
| 16 | Entrainer | Brass |
| 17 | Stem Gaskets O-Ring | NBR 70SH |
| 18 | Memory | Brass |
| 19 | Cup | Hostaform |
| 20 | Adaptor | DZR Brass |
| 21 | O-Ring (Delta) | EPDM 70 PEROX |
| 22 | O-Ring | EPDM 70 PEROX |
| 23 | Binder Point Blue | |
| 24 | Binder Point Red | |

Technical Data

| | | |
|---------------------|----------------|--------|
| Max Pressure | DN15 | 24 Bar |
| | DN22 & DN28 | 20 Bar |
| | DN35 to DN54 | 17 Bar |
| Working Temperature | -10°C to 120°C | |

Dimensions in mm

This data sheet is designed as a guide and should not be regarded as wholly accurate in every detail. We reserve the right to amend the specification of any product without notice.