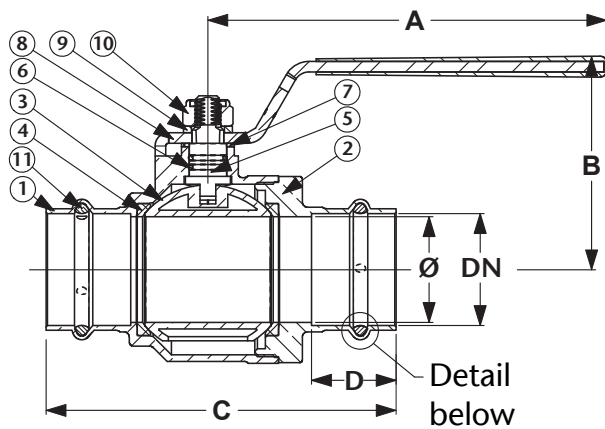


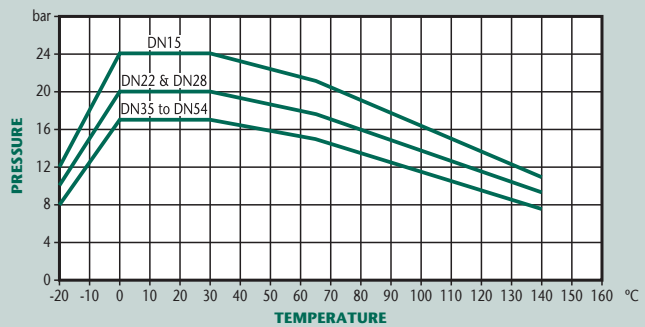
## DZR Press Ball Valve

### Features

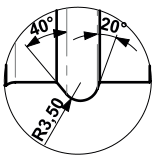
- Universal M & V Profiles 15mm to 35mm
- Dedicated M & V Profiles 42mm & 54mm (See diagram)
- Full Bore
- Thermal Extension available
- WRAS Approved
- 5 Year Warranty
- Suitable for cold pressure connection to stainless steel, copper and carbon steel pipes



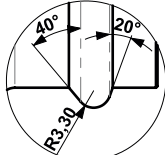
### Pressure / Temperature



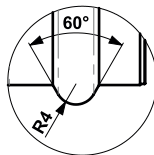
'M' Press (DN42)



'M' Press (DN54)



'V' Press (DN42+54)



NB: Sizes 15mm to 35mm can be pressed with both 'M' and 'V' press jaws. Always use the appropriate 'M' or 'V' press sling to press sizes 42mm and 54mm

### Technical Data

|                     |   |
|---------------------|---|
| Max Pressure        | 24 Bar (DN15), 20 Bar (DN22 & DN28),<br>17 Bar (DN35 to DN54) |
| Working Temperature | -20°C to +140°C   |

| DN          | 15   | 22   | 28   | 35   | 42   | 54                   |
|-------------|------|------|------|------|------|----------------------|
| A           | 90   | 90   | 110  | 110  | 150  | 150                  |
| B           | 47   | 52   | 57   | 66   | 81   | 88                   |
| C (M Press) | 78   | 91   | 99   | 107  | 133  | 155                  |
| C (V Press) | 78   | 91   | 99   | 107  | 133  | 163                  |
| D (M Press) | 22   | 25   | 27   | 27   | 32   | 33                   |
| D (V Press) | 22   | 25   | 27   | 27   | 32   | 37                   |
| Kgs         | 0.19 | 0.31 | 0.49 | 0.72 | 1.17 | 1.66 (M)<br>1.75 (V) |

| N. | Part Name          | Materials           |
|----|--------------------|---------------------|
| 1  | Body               | DZR Brass           |
| 2  | Screwed End        | DZR Brass           |
| 3  | Ball               | Brass Chrome Plated |
| 4  | Ball Gaskets       | PTFE                |
| 5  | Stem               | Brass               |
| 6  | O-Ring             | FKM 70 SH           |
| 7  | Anti-Friction Ring | PTFE                |
| 8  | Handle             | Steel               |
| 9  | Washer             | Brass               |
| 10 | Self-Locking Nut   | Steel               |
| 11 | O-Ring             | EPDM 70 PEROX       |

Dimensions in mm

This data sheet is designed as a guide and should not be regarded as wholly accurate in every detail. We reserve the right to amend the specification of any product without notice.