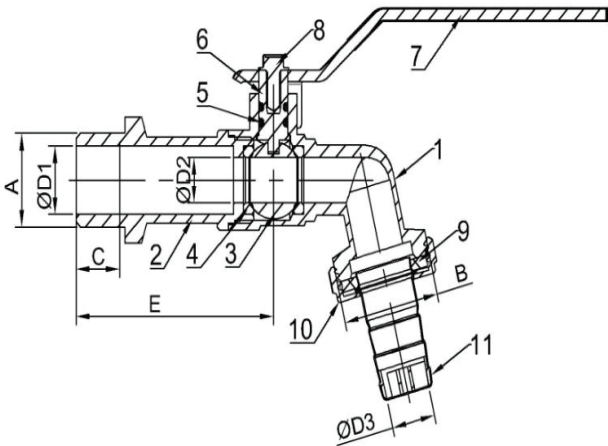


## Bibcock Tap with Hose Union

### Features

- Screwed BSP Taper (BS21) or NPT (ANSI B1.20.1)



DN	1/2" x 3/4"	3/4" x 1"
A	G1/2"	G3/4"
B	G3/4"	G1"
C	12	12
ØD1	15	20
ØD2	10	12
ØD3	11.8	15.8
E	54.5	56.5
Kgs	0.19	0.25

N.	Part Name	Materials
1	Body	Brass CW617N Nickel Plated
2	Bonnet	Brass CW617N Nickel Plated
3	Ball	Brass CW617N Chrome Plated
4	Seat	PTFE
5	O-Ring	EPDM 70° SH
6	Stem	Brass Hpb59-3
7	Handle	Steel Q235
8	Screw	Steel Q235 Nickel Plated
9	Rubber Gasket	EPDM 70° SH
10	Cap	Brass CW617N Nickel Plated
11	Outlet	Stainless Steel 304 Nickel Plated

### Technical Data

Max Pressure 16 Bar  
 Max Temperature 0°C to +110°C

Dimensions in mm

This data sheet is designed as a guide and should not be regarded as wholly accurate in every detail. We reserve the right to amend the specification of any product without notice.