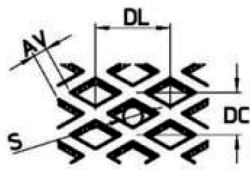
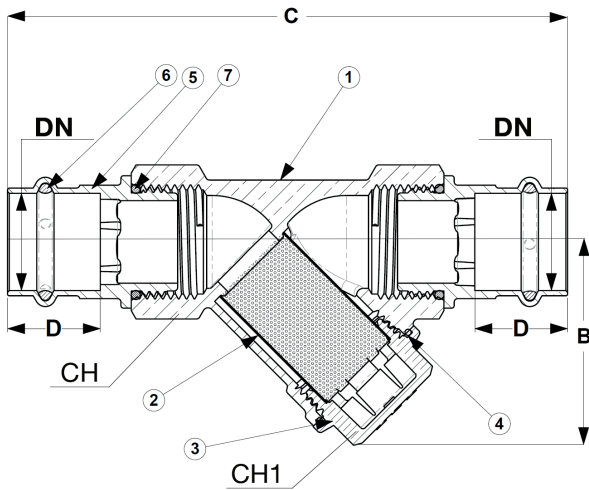


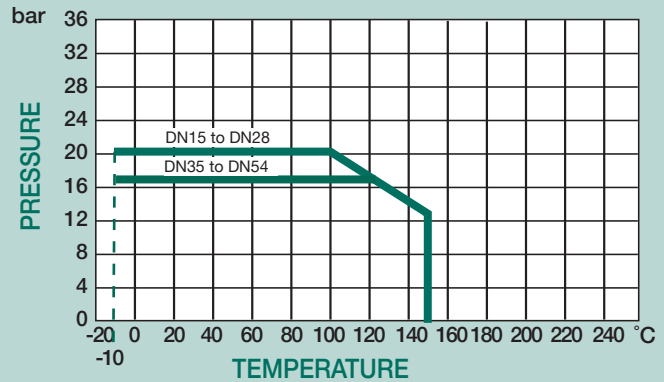
PN20 DZR Brass 'Y' Type Strainer

Features

- Universal M & V Profile 15mm to 35mm
- Dedicated M Profile 42mm & 54mm
- DZR Brass Body
- EPDM 'O' Rings
- Stainless Steel Strainer
- 5 Year Warranty



Pressure / Temperature



DN	15x15	22x22	28x28	35x35	42x42	54x54
B	39	50	60	71	81.5	100
C	152	170	185	202	219	263
D	42	46.5	47	47	51.5	60
CH	28	33	40	51	56	71
CH1	18	22	29	34	39	55
AV	0.4	0.4	0.4	0.4	0.4	0.4
DL	2.5	2.5	2.5	2.5	2.5	2.5
S	0.25	0.25	0.25	0.25	0.25	0.25
DC	1.4	1.4	1.4	1.4	1.4	1.4
KV	3.4	7	10	16	24	35
Kgs	0.36	0.52	0.77	1.20	1.55	2.72

Technical Data

Max Pressure	DN15 to DN28	20 Bar
	DN35 to DN54	17 Bar
Working Temperature	-10°C to 150°C	

N.	Part Name	Materials
1	Body	DZR Brass
2	Strainer	Stainless Steel 304
3	Bonnet	DZR Brass
4	O-Ring	FKM70 Red
5	Joint	DZR Brass
6	O-Ring (Delta)	EPDM 70 PEROX
7	O-Ring	EPDM 70 PEROX

Dimensions in mm

This data sheet is designed as a guide and should not be regarded as wholly accurate in every detail. We reserve the right to amend the specification of any product without notice.