

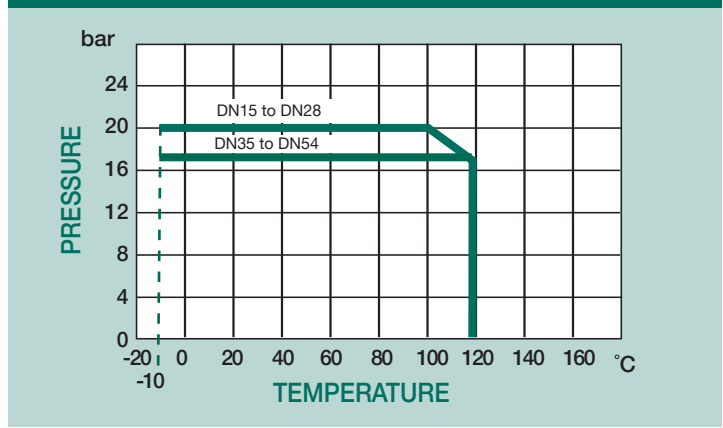
DZR Double Regulating Valve (DRV)

Features

- Universal M & V Profile 15mm to 35mm
- Dedicated M Profile 42mm & 54mm
- Handwheel with shut off function and clear 360° reading
- Digital scale with lock function
- Conforms to BS 7350 / BS 5154
- 5 Year Warranty

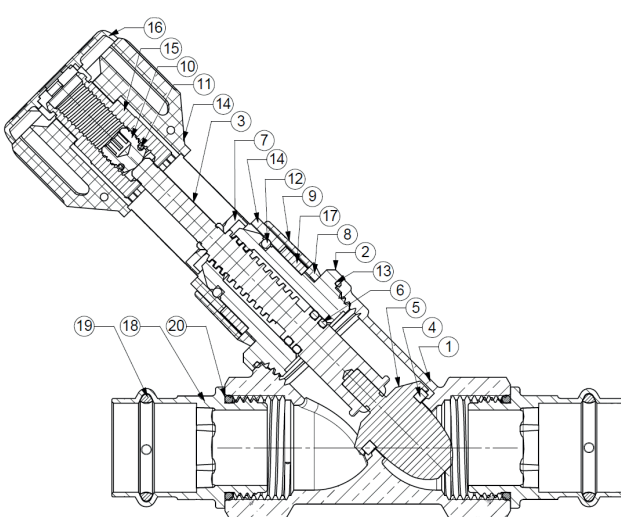
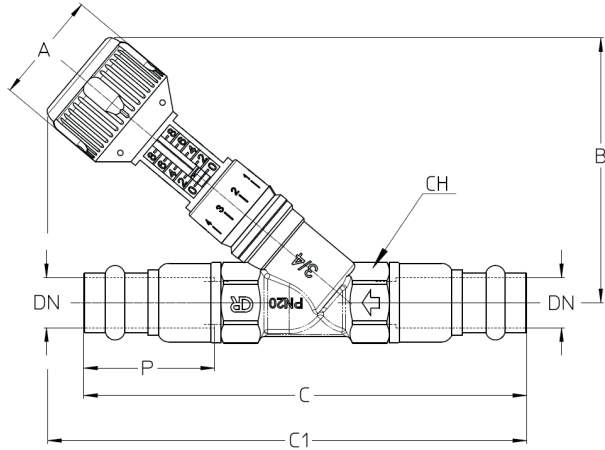


Pressure / Temperature



DN	15	22	28	35	42	54
A	51	51	51	51	57	57
B	104.5	121	133	141	181	190
C	118	136	148	164	184.5	227
C1	163	182.5	190	199.5	251	278.5
P	22	25	27	27	32	37
CH	28	33	40	51	56	71
Kv	3.9	7.3	11.8	21.6	28.5	50.5
Kgs	0.54	0.76	1.02	1.45	2.14	3.22

N.	Part Name	Materials
1	Body	DZR Brass
2	Bonnet	DZR Brass - CW602N
3	Stem	DZR Brass - CW602N
4	Gasket	EPDM
5	Shutter	DZR Brass - CW602N
6	O-Ring	EPDM PEROX
7	Blue Index	POM
8	Blue Turn Index	POM
9	1/10 Turn Index	POM
10	Memory	Brass - CW617N
11	Stem Gasket O-Ring	NBR 70Sh
12	Pin	Steel
13	O-Ring	EPDM PEROX
14	Knob	PA6 Fiberglass
15	Entrainer	Brass - CW617N
16	Cap Blue	POM
17	Thickness	Nylon
18	Joint	DZR Brass - CW511L
19	O-Ring	EPDM PEROX
20	O-Ring	EPDM PEROX



Technical Data		
Max Pressure	DN15 to DN28	20 Bar
	DN35 to DN54	17 Bar
Working Temperature	-10°C to 120°C	

Dimensions in mm
This data sheet is designed as a guide and should not be regarded as wholly accurate in every detail. We reserve the right to amend the specification of any product without notice.