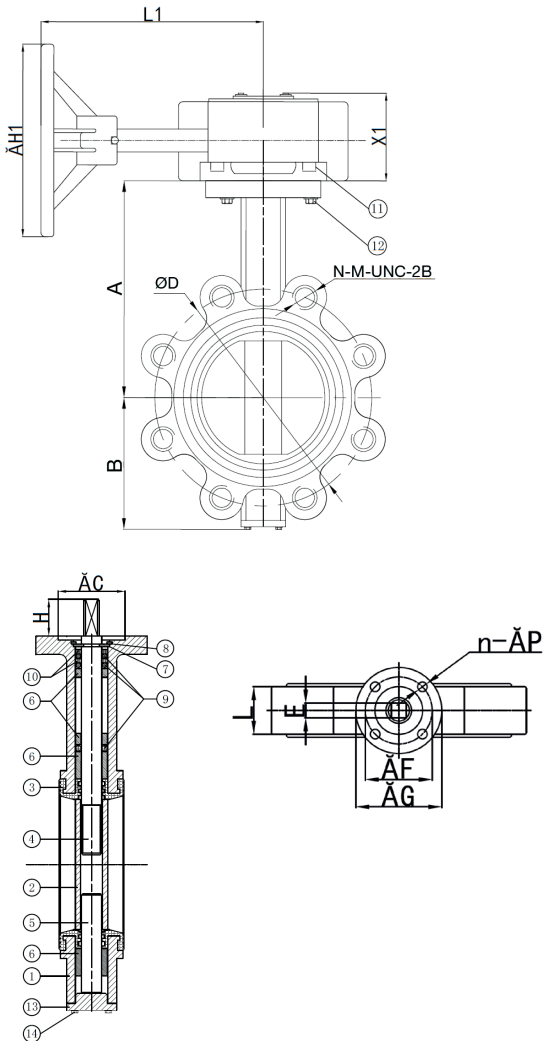


ANSI 150 Ductile Iron Butterfly Valve Lugged & Tapped Type

Features

- Flange Mounting ANSI Class 150
- BS5155 (BS EN 593)
- ISO 5211 Direct Mount
- Epoxy Coat Finish
- MSS-SP-67



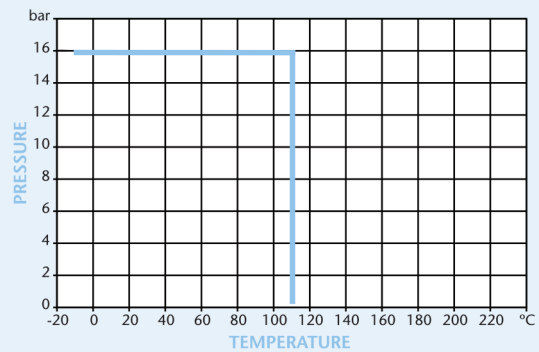
Technical Data

Maximum Pressure	16 Bar
Working Temperature	-10°C to +110°C

Dimensions in mm

This data sheet is designed as a guide and should not be regarded as wholly accurate in every detail. We reserve the right to amend the specification of any product without notice.

Pressure/Temperature



	350	400	450	500	600
ÄD	476.25	539.75	577.85	635	749.3
N-M-UNC-2B	12-1-8UNC-2B	16-1-8UNC-2B	16-1.1/8-7UNC-2B	20-1.1/8-7UNC-2B	20-1.1/4-7UNC-2B
A	345	390	422	470	552
B	262	305	341	373	445
C	71	100.5	100.5	100.5	130.5
H	40	52	52	64	70
ÄG	125	175	175	175	210
n-ÄP	4-12	4-18	4-18	4-18	4-23
ÄF	102	140	140	140	165
L	78	102	114	127	154
E	22	27	27	27	36
H1	300	300	300	300	300
L1	225	131	131	131	138
X1	84	264	264	296	307
Torque (N.M)	840	1260	2070	2670	5295
Kgs	88	168	198	238.8	334.8

N.	Part Name	Materials
1	Body	Ductile Iron GGG40
2	Disc	Stainless Steel 316
3	Seat	WRAS EPDM
4	Upper Shaft	Stainless Steel 420
5	Lower Shaft	Stainless Steel 420
6	Bushing	PTFE
7	Split Pin	Spring Steel 65Mn
8	Circlip	Spring Steel 65Mn
9	O-Ring	WRAS EPDM
10	Ring	Nylon 6 PA6
11	Gearbox	Aluminium AL102
12	Bolt	Stainless Steel 304