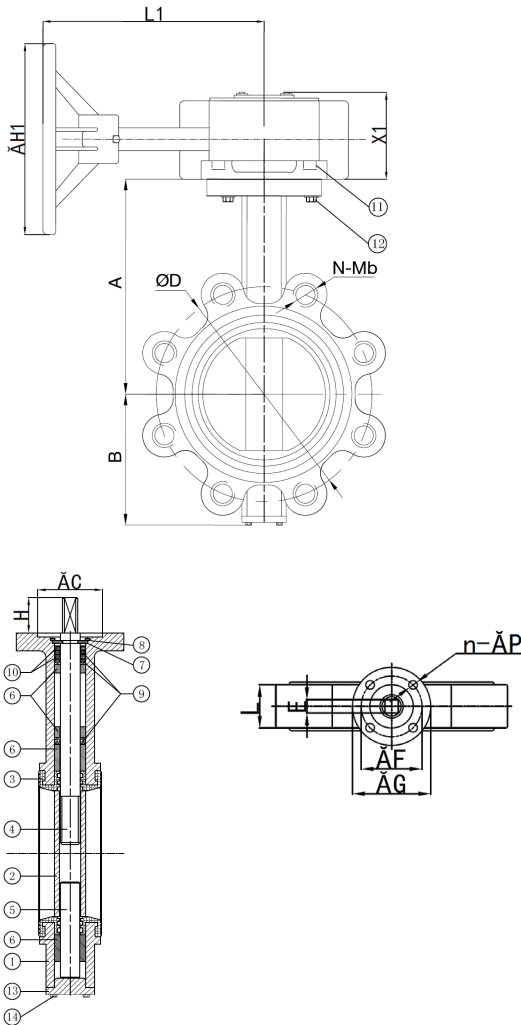


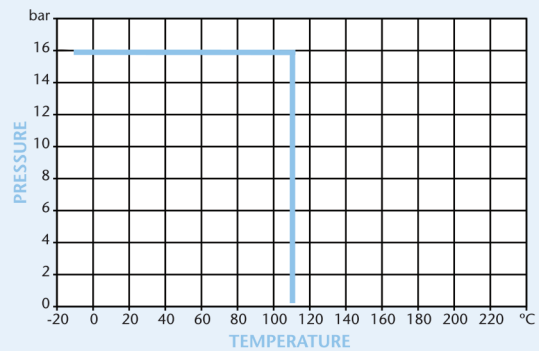
PN16 Ductile Iron Butterfly Valve Lugged & Tapped Type



Features

- Flange Mounting PN16 Only
- BS5155 (BS EN 593)
- ISO 5211 Direct Mount
- Epoxy Coat Finish
- MSS-SP-67

Pressure/Temperature



	350	400	450	500	600
ÅD	470	525	585	650	770
N-Mb	16-M24	16-M27	20-M27	20-M30	20-M33
A	345	390	422	470	552
B	262	305	341	373	445
C	71	100.5	100.5	100.5	130.5
H	40	52	52	64	70
ÅG	125	175	175	175	210
n-ÅP	4-12	4-18	4-18	4-18	4-23
ÅF	102	140	140	140	165
L	78	102	114	127	154
E	22	27	27	27	36
H1	300	300	300	300	300
L1	225	131	131	131	138
X1	84	264	264	269	307
Torque (N.M)	840	1260	2070	2670	5295
Kgs	88	168	198	238.8	334.8

N.	Part Name	Materials
1	Body	Ductile Iron GGG40
2	Disc	Stainless Steel 316
3	Seat	WRAS EPDM
4	Upper Shaft	Stainless Steel 431
5	Lower Shaft	Stainless Steel 431
6	Bushing	Brass H65
7	Split Pin	Spring Steel 65Mn
8	Circlip	Spring Steel 65Mn
9	O-Ring	WRAS EPDM
10	Ring	Nylon 6 PA6
11	Gearbox	Ductile Iron
12	Bolt	Stainless Steel 304
13	End Cover	Ductile Iron GGG40
14	Bolt	Stainless Steel 304

NOTE: DN350 without back cover and back cover bolts.

Technical Data

Maximum Pressure 16 Bar
Working Temperature -10°C to +110°C

Dimensions in mm

This data sheet is designed as a guide and should not be regarded as wholly accurate in every detail. We reserve the right to amend the specification of any product without notice.