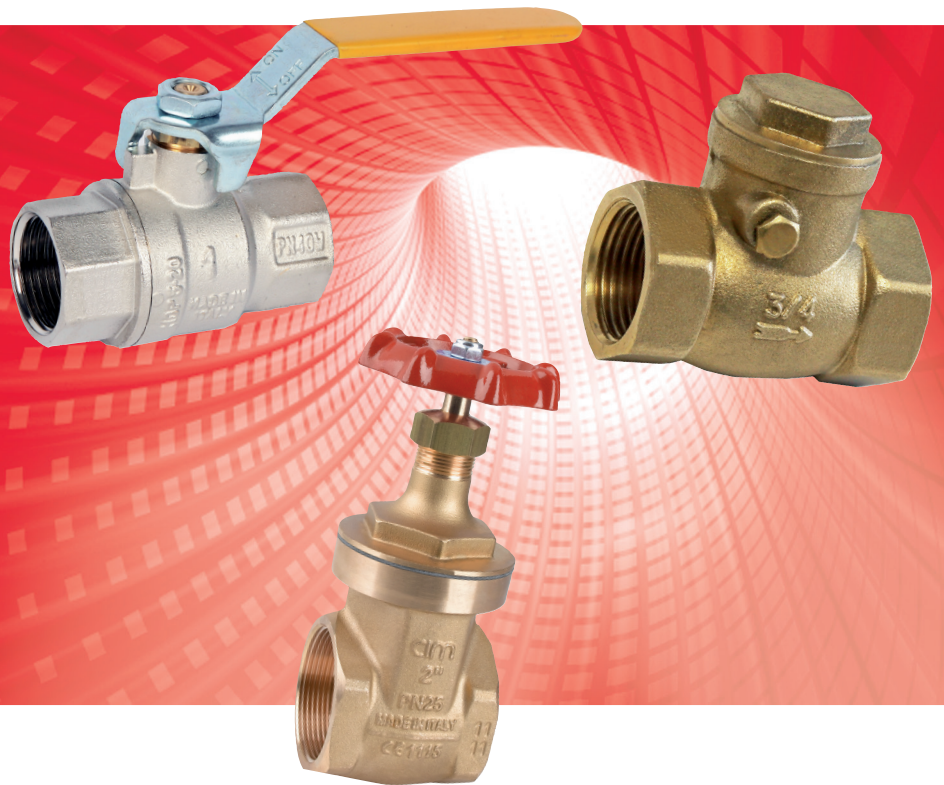
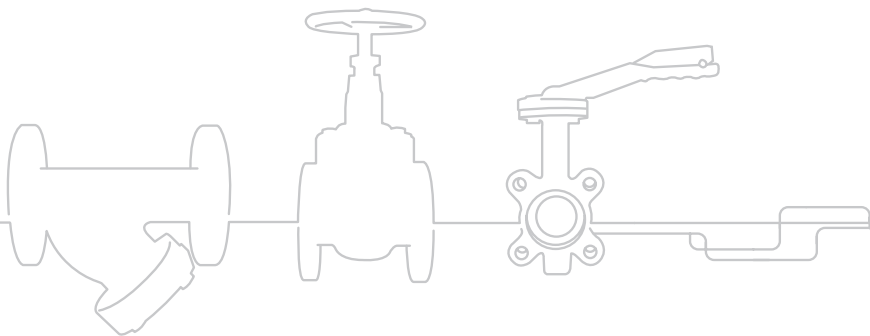
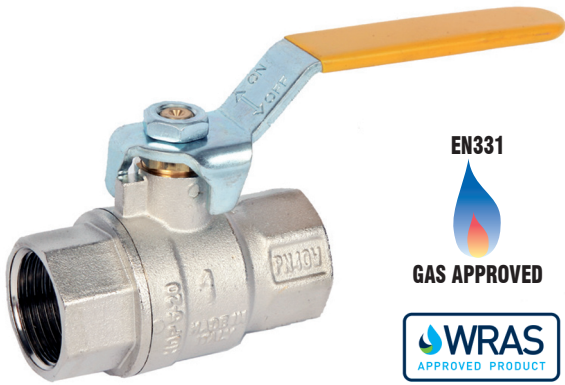


## Brass Valves



Product Information



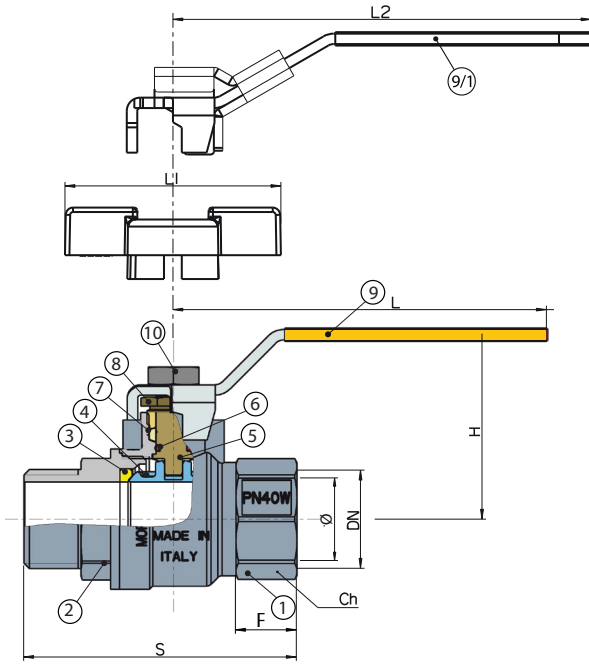
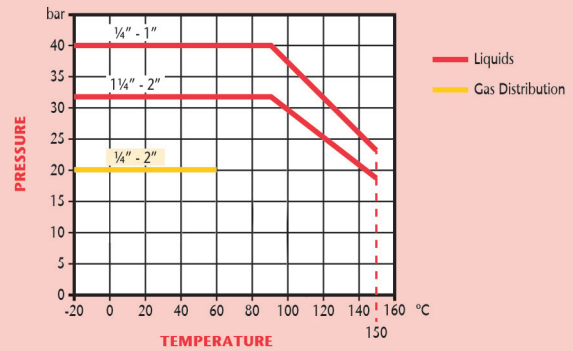


## PN40 Brass Ball Valve

### Features

- Screwed BSP Parallel (ISO 228/1)
- PTFE Seats & Seals
- Anti-Blow Out Stem
- Full Bore
- Locking Lever & Tee Handle Options Available
- WRAS & EN331 Approved

### Pressure / Temperature



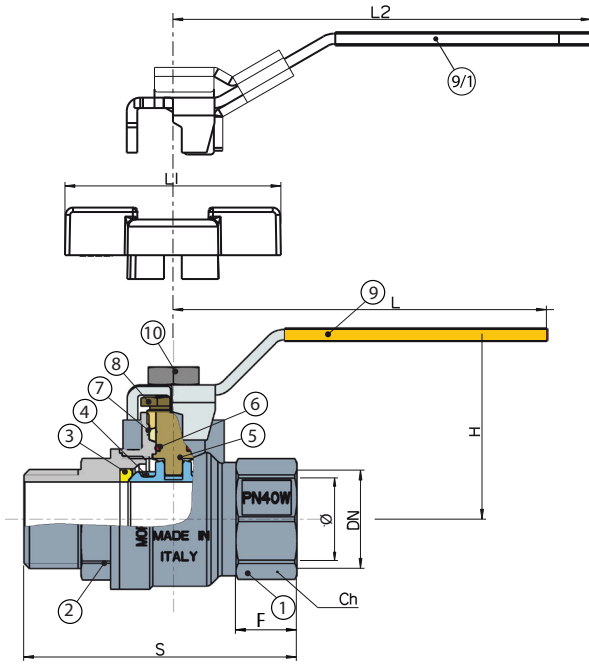
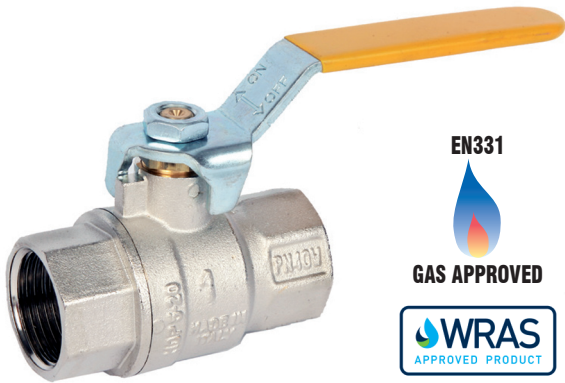
DN	1/4"	3/8"	1/2"	3/4"	1"	1 1/4"	1 1/2"	2"
Ø	10	10	15	20	25	32	40	50
F	10	10	15	16	19	21	21	26
S	45	45	63	71	83	92	104	124
H	41	41	54	58	66	71	80	88
L	80	80	90	90	125	125	140	140
L1	52	52	62	62	72			
L2	95	95	120	120	150	150	160	160
Ch	21	21	26	31	38	48	55	68
Kgs	0.14	0.14	0.26	0.37	0.57	0.84	1.46	2.09

Technical Data - Gas Distribution	
Max Pressure	20 Bar
Working Temperature	-20°C to +60°C

Technical Data		
Max Pressure	1/4"-1"	40 Bar
	1 1/4"-2"	32 Bar
Working Temperature	1/4"-2"	-20°C to +150°C

N.	Part Name	Materials
1	Body	Brass/Nickel Plated
2	Body End	Brass/Nickel Plated
3	Seat	PTFE
4	Ball	Brass/Chrome Plated
5	Stem	Brass
6	'O' Rings	HNBR
7	Stem Seat	PTFE
8	Packing Nut	Brass
9	Lever	Steel/PVC-Plastic Coated
9/1	Lockable Lever	Steel/PVC-Plastic Coated
10	Nut	Steel/Zinc Plated

Dimensions in mm  
This data sheet is designed as a guide and should not be regarded as wholly accurate in every detail. We reserve the right to amend the specification of any product without notice.



Technical Data - Gas Distribution		
Max Pressure	1/4" - 2"	20 Bar
	2 1/2" - 4"	10 Bar
Working Temperature	-20°C to +60°C	

Technical Data		
Max Pressure	1/4" - 1"	40 Bar
	1 1/4" - 2"	32 Bar
	2 1/2" - 4"	25 Bar
Working Temperature	-20°C to +150°C	

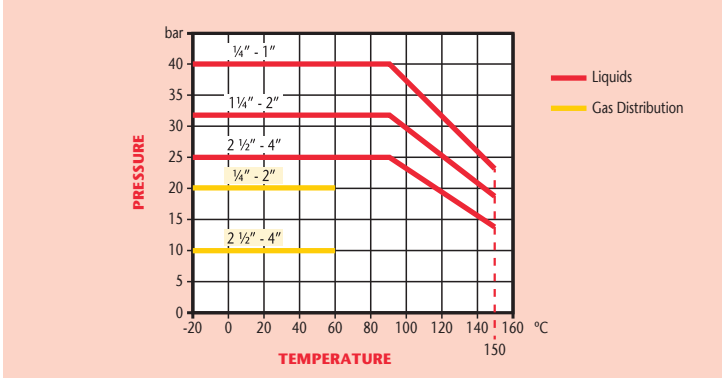
Dimensions in mm  
 This data sheet is designed as a guide and should not be regarded as wholly accurate in every detail. We reserve the right to amend the specification of any product without notice.

## PN40 Brass Ball Valve

### Features

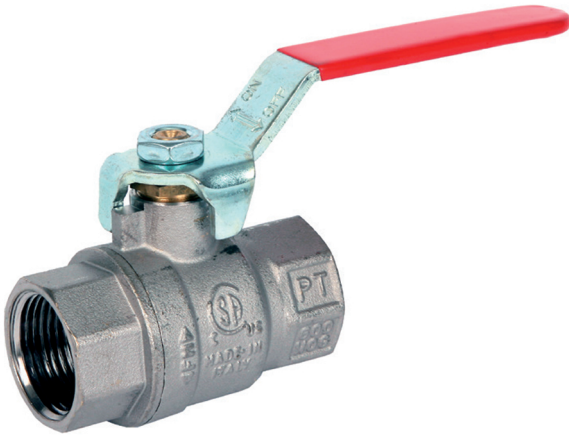
- Screwed BSP Taper (ISO 7/1)
- PTFE Seats & Seals
- Anti-Blow Out Stem
- Full Bore
- Locking Lever & Tee Handle Options Available
- WRAS & EN331 Approved

### Pressure / Temperature



DN	1/4"	3/8"	1/2"	3/4"	1"	1 1/4"	1 1/2"	2"	2 1/2"	3"	4"
Ø	10	10	15	20	25	32	40	50	61	74	95
F	10	10	15	16	19	21	21	26	27	28	35
S	45	45	63	71	83	92	104	124	140	159	195
H	41	41	54	58	66	71	80	88	131	140	156
L	80	80	90	90	125	125	140	140	250	250	250
L1	52	52	62	62	72						
L2	95	95	120	120	150	150	160	160			
Ch	21	21	26	31	38	48	55	68	85	99	125
Kgs	0.14	0.14	0.26	0.37	0.57	0.84	1.46	2.09	4.30	6.00	9.25

N.	Part Name	Materials
1	Body	Brass/Nickel Plated
2	Body End	Brass/Nickel Plated
3	Seat	PTFE
4	Ball	Brass/Chrome Plated
5	Stem	Brass
6	'O' Rings	HNBR
7	Stem Seat	PTFE
8	Packing Nut	Brass
9	Lever	Steel/PVC-Plastic Coated
9/1	Lockable Lever	Steel/PVC-Plastic Coated
10	Nut	Steel/Zinc Plated

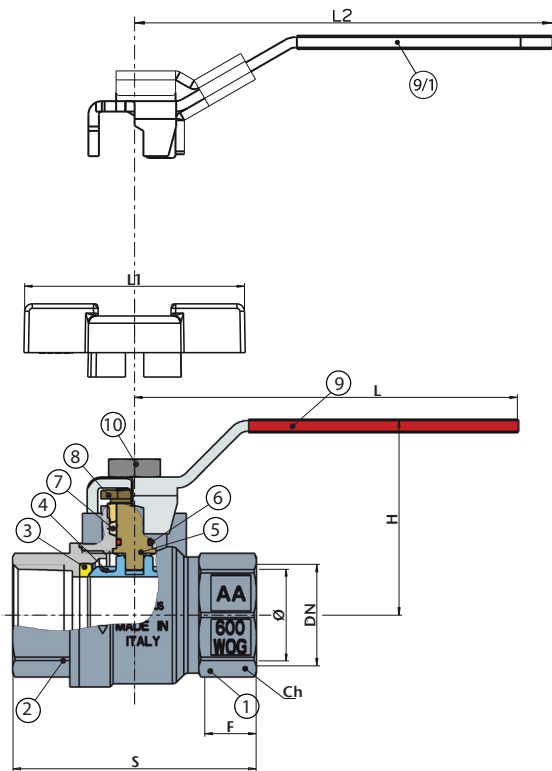
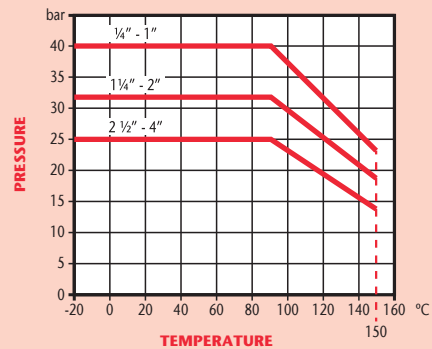


## PN40 Brass Ball Valve

### Features

- Screwed NPT (ANSI B1.20.1)
- PTFE Seats & Seals
- Anti-Blow Out Stem
- Full Bore
- Locking Lever & Tee Handle Options Available
- Complies to SA, UL & FM

### Pressure / Temperature



DN	1/4"	3/8"	1/2"	3/4"	1"	1 1/4"	1 1/2"	2"	2 1/2"	3"	4"
Ø	10	10	15	20	25	32	40	50	61	74	95
F	12	12	16	17	19,5	21	21	22	27,5	30,5	38
S	45	45	60	67	80	89	98	112	140	159	196
H	41	41	54	58	66	71	80	88	131	140	156
L	80	80	90	90	125	125	140	140	250	250	250
L1	52	52	62	62	72						
L2	95	95	120	120	150	150	160	160			
Ch	21	21	26	31	38	48	55	68	85	99	125
Kgs	0.14	0.14	0.26	0.37	0.57	0.84	1.46	2.09	4.30	6.00	9.25

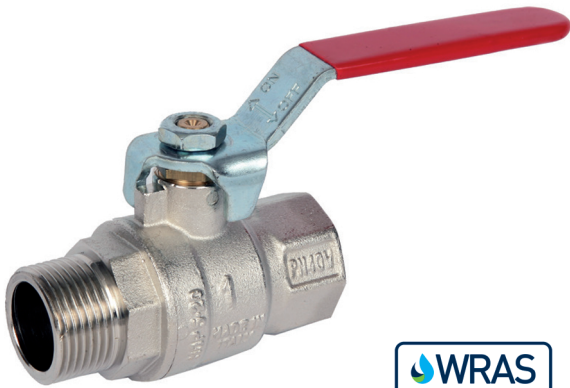
### Technical Data

Max Pressure	1/4"-1"	40 Bar
	1 1/4"-2"	32 Bar
	2 1/2"-4"	25 Bar
Working Temperature	-20°C to +150°C	

N.	Part Name	Materials
1	Body	Brass/Nickel Plated
2	Body End	Brass/Nickel Plated
3	Seat	PTFE
4	Ball	Brass/Chrome Plated
5	Stem	Brass
6	'O' Rings	HNBR
7	Stem Seat	PTFE
8	Packing Nut	Brass
9	Lever	Steel/PVC-Plastic Coated
9/1	Lockable Lever	Steel/PVC-Plastic Coated
10	Nut	Steel/Zinc Plated

Dimensions in mm

This data sheet is designed as a guide and should not be regarded as wholly accurate in every detail. We reserve the right to amend the specification of any product without notice.

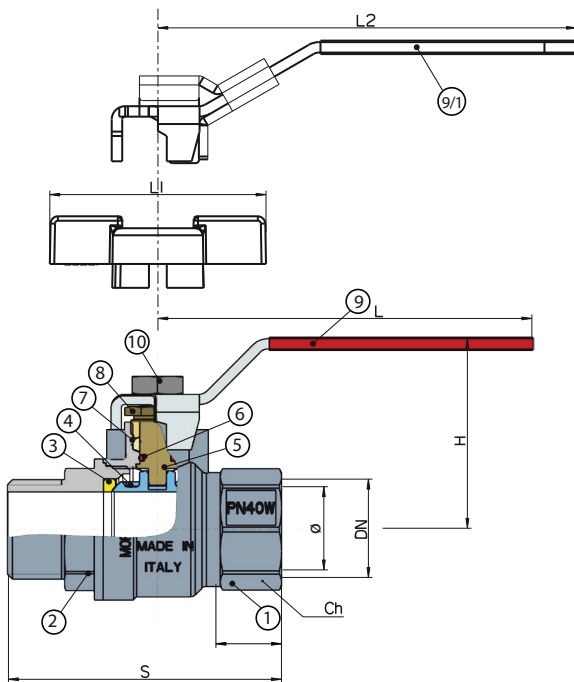
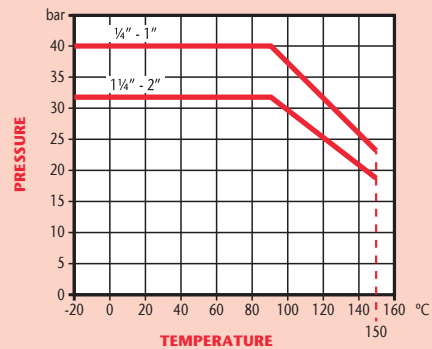


## PN40 Brass Ball Valve

### Features

- Screwed BSP Parallel M/F Ends (ISO 228/1)
- PTFE Seats & Seals
- Anti-Blow Out Stem
- Full Bore
- Locking Lever & Tee Handle Options Available
- WRAS Approved

### Pressure / Temperature



DN	1/4"	3/8"	1/2"	3/4"	1"	1 1/4"	1 1/2"	2"
Ø	10	10	15	20	25	32	40	50
F	10	12	15	16	19	20.5	21.5	24.5
S	42	54	70	80	92	102	117	137
H	41	41	54	58	66	71	80	88
L	80	80	90	90	125	125	140	140
L1	52	52	62	62	72			
L2	95	95	120	120	150	150	160	160
Ch	21	21	26	31	38	48	55	68
Kgs	0.11	0.13	0.27	0.37	0.62	0.93	1.35	2.14

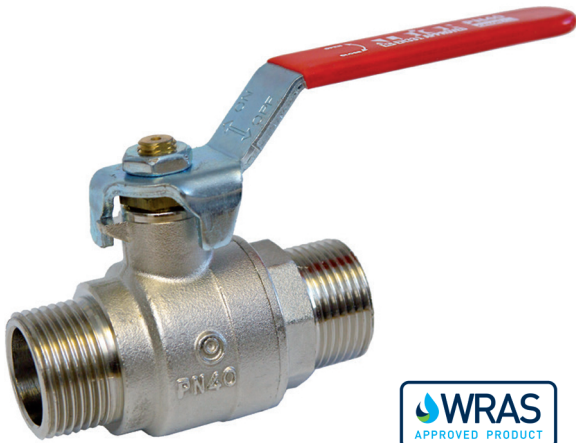
### Technical Data

Max Pressure	1/4"-1"	40 Bar
	1/4"-2"	32 Bar
Working Temperature		-20°C to +150°C

N.	Part Name	Materials
1	Body	Brass/Nickel Plated
2	Body End	Brass/Nickel Plated
3	Seat	PTFE
4	Ball	Brass/Chrome Plated
5	Stem	Brass
6	'O' Rings	HNBR
7	Stem Seat	PTFE
8	Packing Nut	Brass
9	Lever	Steel/PVC-Plastic Coated
9/1	Lockable Lever	Steel/PVC-Plastic Coated
10	Nut	Steel/Zinc Plated

Dimensions in mm

This data sheet is designed as a guide and should not be regarded as wholly accurate in every detail. We reserve the right to amend the specification of any product without notice.

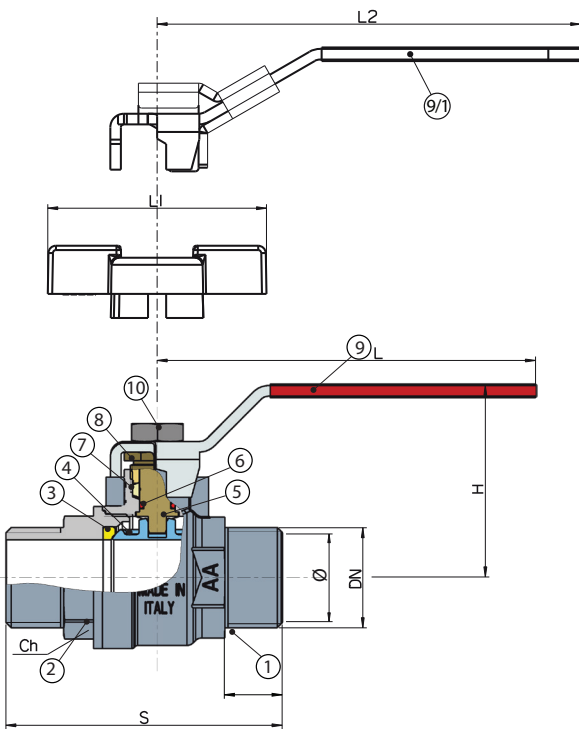
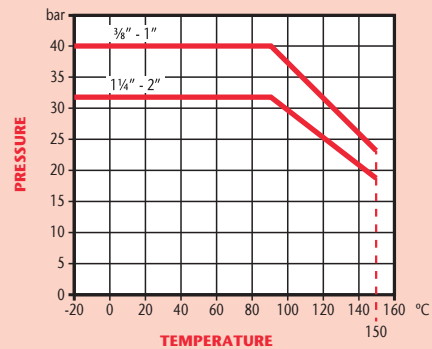


## PN40 Brass Ball Valve

### Features

- Screwed BSP Parallel M/M Ends (ISO 228/1)
- PTFE Seats & Seals
- Anti-Blow Out Stem
- Full Bore
- Locking Lever & Tee Handle Options Available
- WRAS Approved

### Pressure / Temperature



DN	3/8"	1/2"	3/4"	1"	1 1/4"	1 1/2"	2"
Ø	10	15	20	25	32	40	50
F	12	15	16	19	20.5	21.5	24.5
S	54	68	77	92	106	111	138
H	41	54	58	66	71	80	88
L	80	90	90	125	125	140	140
L1	52	62	62	72			
L2	95	120	120	150	150	160	160
Ch	21	26	31	38	48	55	68
Kgs	0.13	0.27	0.37	0.62	0.93	1.35	2.14

### Technical Data

Max Pressure	3/8" - 1"	40 Bar
	1 1/4" - 2"	32 Bar
Working Temperature	-20°C to +150°C	

N.	Part Name	Materials
1	Body	Brass/Nickel Plated
2	Body End	Brass/Nickel Plated
3	Seat	PTFE
4	Ball	Brass/Chrome Plated
5	Stem	Brass
6	'O' Rings	FP
7	Stem Seat	PTFE
8	Packing Nut	Brass
9	Lever	Steel/PVC-Plastic Coated
9/1	Lockable Lever	Steel/PVC-Plastic Coated
10	Nut	Steel/Zinc Plated

Dimensions in mm

This data sheet is designed as a guide and should not be regarded as wholly accurate in every detail. We reserve the right to amend the specification of any product without notice.

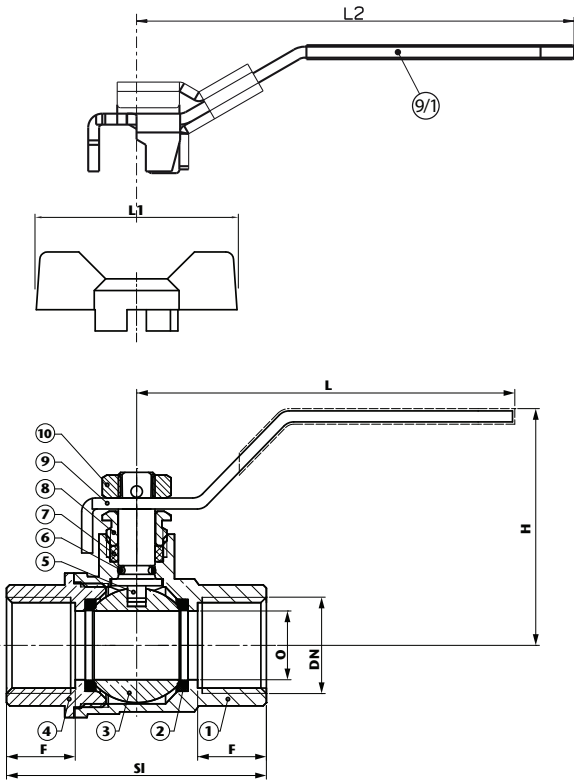
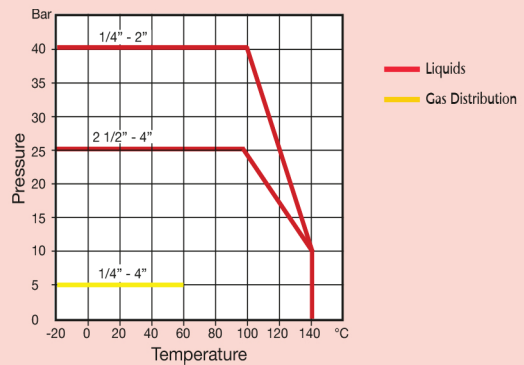


## PN40 Brass Ball Valve

### Features

- Screwed BSP Parallel (ISO 228/1)
- Anti-Blow-Out Stem
- PTFE Seats & Seals
- Full Bore
- WRAS & EN331 Approved
- Locking Lever (1/2" to 2" only) & Tee Handle (1/4" to 1" only) options available

### Pressure / Temperature



### Technical Data - Gas Distribution

Max Pressure	1/4" - 4"	5 Bar
Working Temperature		-20°C to +60°C

### Technical Data

Max Pressure	1/4" - 2"	40 Bar
	2 1/2" - 4"	25 Bar
Working Temperature		-20°C to +140°C

DN	1/4"	3/8"	1/2"	3/4"	1"	1 1/4"	1 1/2"	2"	2 1/2"	3"	4"
O	10	10	14.5	19	24.5	31.5	40	49	62	73	90
F	11.5	11.5	15	18	19.5	20	21	26.5	31	36.8	41.6
S1	45	45	57	67	77	88	99	121	146	168	199
H	41	41	52	49	62	81	90	96	122	132	143
L	82	82	87.5	100	125	141	141	165	225	225	280
L1	52	52	52	52	62						
L2			100	100	125	150	150	165			
Kgs	0.14	0.14	0.20	0.26	0.41	0.61	0.95	1.35	3.02	3.99	6.51

N.	Part Name	Materials
1	Body	Brass/Nickel Plated
2	Seat	PTFE
3	Ball	Brass/Chrome Plated
4	Body End	Brass/Nickel Plated
5	Stem	Brass
6	'O' Ring	NBR
7	Stem Packing	PTFE
8	Lock Nut	Brass
9	Lever	Steel
9/1	Lockable Lever	Steel/PVC Plastic Coated
10	Nut	Steel

Dimensions in mm

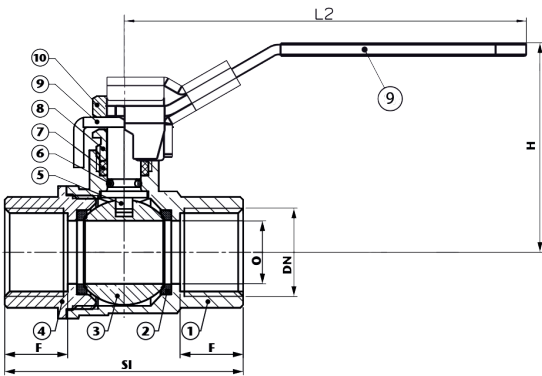
This data sheet is designed as a guide and should not be regarded as wholly accurate in every detail. We reserve the right to amend the specification of any product without notice.



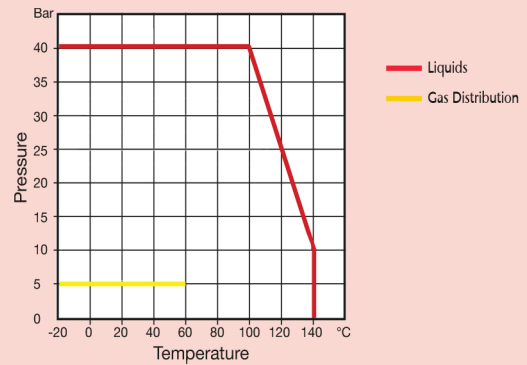
## PN40 Brass Ball Valve Complete with Locking Lever

### Features

- Screwed BSP Parallel (ISO 228/1)
- Anti-Blow-Out Stem
- PTFE Seats & Seals
- Full Bore
- WRAS & EN331 Approved



### Pressure / Temperature



DN	1/2"	3/4"	1"	1 1/4"	1 1/2"	2"
O	14.5	19	24.5	31.5	40	49
F	15	18	19.5	20	21	26.5
S1	57	67	77	88	99	121
H	52	49	62	81	90	96
L2	100	100	125	150	150	165
Kgs	0.29	0.35	0.50	0.70	1.04	1.44

### Technical Data - Gas Distribution

Max Pressure	5 Bar
Working Temperature	-20°C to +60°C

### Technical Data

Max Pressure	40 Bar
Working Temperature	-20°C to +140°C

N.	Part Name	Materials
1	Body	Brass/Nickel Plated
2	Seat	PTFE
3	Ball	Brass/Chrome Plated
4	Body End	Brass/Nickel Plated
5	Stem	Brass
6	'O' Ring	NBR
7	Stem Packing	PTFE
8	Lock Nut	Brass
9	Lockable Lever	Steel/PVC Plastic Coated
10	Nut	Steel

Dimensions in mm

This data sheet is designed as a guide and should not be regarded as wholly accurate in every detail. We reserve the right to amend the specification of any product without notice.



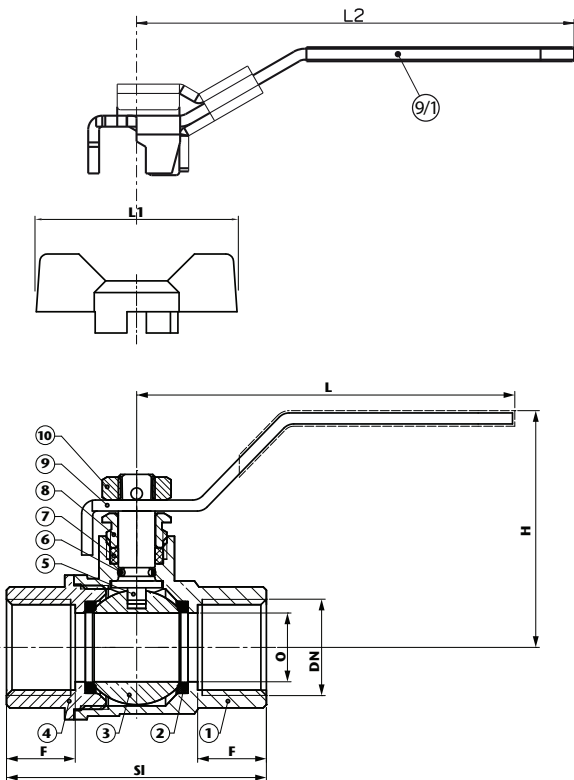
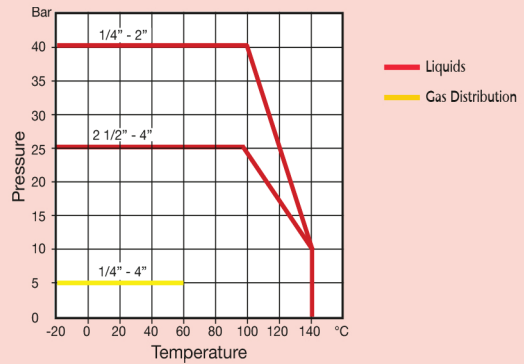


## PN40 Brass Ball Valve

### Features

- Screwed BSP Taper (ISO 7/1)
- Anti-Blow-Out Stem
- PTFE Seats & Seals
- Full Bore
- WRAS & EN331 Approved
- Locking Lever (1/2" to 2" only) & Tee Handle (1/4" to 1" only) options available

### Pressure / Temperature



### Technical Data - Gas Distribution

Max Pressure	1/4"-4"	5 Bar
Working Temperature		-20°C to +60°C

### Technical Data

Max Pressure	1/4" - 2"	40 Bar
	2 1/2" - 4"	25 Bar
Working Temperature		-20°C to +140°C

DN	1/4"	3/8"	1/2"	3/4"	1"	1 1/4"	1 1/2"	2"	2 1/2"	3"	4"
O	10	10	14.5	19	24.5	31.5	40	49	62	73	90
F	11.5	11.5	15	18	19.5	20	21	26.5	31	36.8	41.6
S1	45	45	57	67	77	88	99	121	146	168	199
H	41	41	52	49	62	81	90	96	122	132	143
L	82	82	87.5	100	125	141	141	165	225	225	280
L1	52	52	52	52	62						
L2			100	100	125	150	150	165			
Kgs	0.14	0.14	0.20	0.26	0.41	0.61	0.95	1.35	3.07	4.12	6.68

N.	Part Name	Materials
1	Body	Brass/Nickel Plated
2	Seat	PTFE
3	Ball	Brass/Chrome Plated
4	Body End	Brass/Nickel Plated
5	Stem	Brass
6	'O' Ring	NBR
7	Stem Packing	PTFE
8	Lock Nut	Brass
9	Lever	Steel
9/1	Lockable Lever	Steel/PVC Plastic Coated
10	Nut	Steel

Dimensions in mm

This data sheet is designed as a guide and should not be regarded as wholly accurate in every detail. We reserve the right to amend the specification of any product without notice.

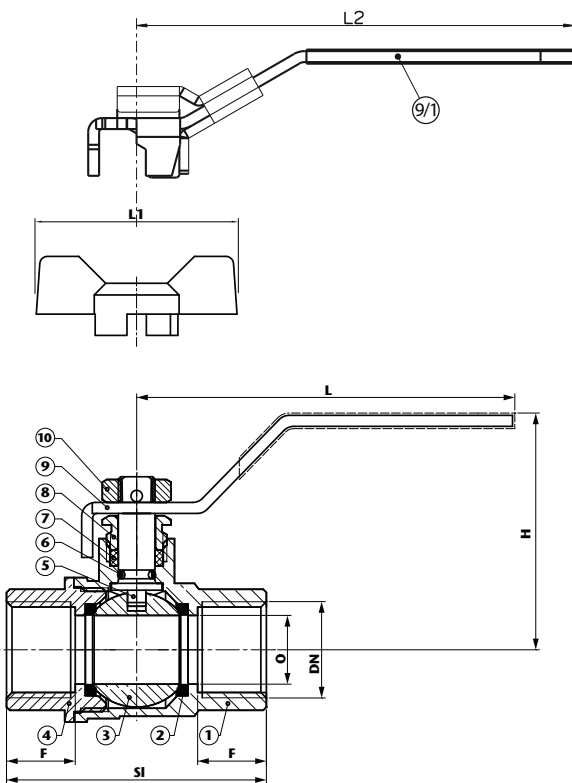
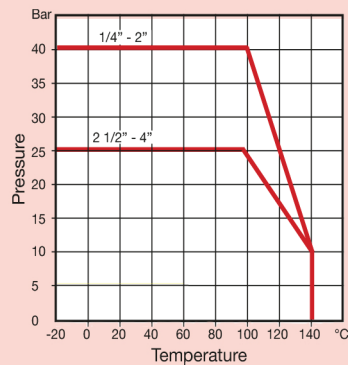


## PN40 Brass Ball Valve

### Features

- Screwed NPT (ANSI B1.20.1)
- Anti-Blow-Out Stem
- PTFE Seats & Seals
- Full Bore
- Locking Lever (1/2" to 2" only) & Tee Handle (1/4" to 1" only) options available

### Pressure / Temperature



### Technical Data

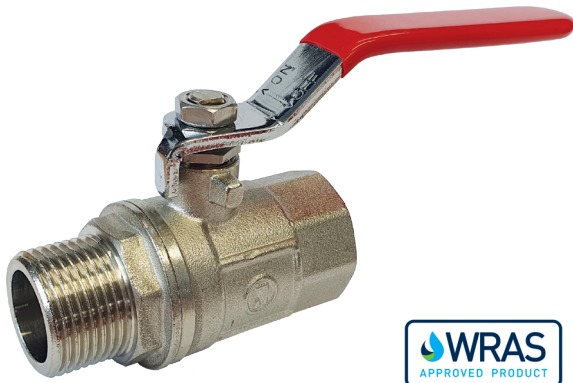
Max Pressure	1/4" - 2"	40 Bar
	2 1/2" - 4"	25 Bar
Working Temperature	1/4" - 4"	-20°C to +140°C

DN	1/4"	3/8"	1/2"	3/4"	1"	1 1/4"	1 1/2"	2"	2 1/2"	3"	4"
O	10	10	14.5	19	24.5	31.5	40	49	62	73	90
F	11.5	11.5	15	18	19.5	20	21	26.5	31	36.8	41.6
SI	45	45	57	67	77	88	99	121	146	168	199
H	41	41	52	49	62	81	90	96	122	132	143
L	82	82	87.5	100	125	141	141	165	225	225	280
L1	52	52	52	52	62						
L2			100	100	125	150	150	165			
Kgs	0.14	0.14	0.20	0.26	0.41	0.61	0.95	1.35	3.30	4.20	6.75

N.	Part Name	Materials
1	Body	Brass/Nickel Plated
2	Seat	PTFE
3	Ball	Brass/Chrome Plated
4	Body End	Brass/Nickel Plated
5	Stem	Brass
6	'O' Ring	NBR
7	Stem Packing	PTFE
8	Lock Nut	Brass
9	Lever	Steel
9/1	Lockable Lever	Steel/PVC Plastic Coated
10	Nut	Steel

Dimensions in mm

This data sheet is designed as a guide and should not be regarded as wholly accurate in every detail. We reserve the right to amend the specification of any product without notice.

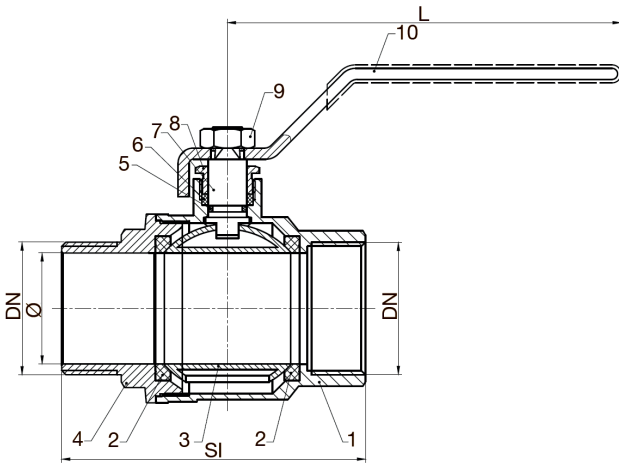
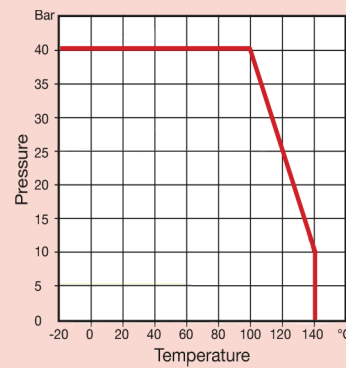


## PN40 Brass Ball Valve

### Features

- Screwed BSP Parallel M/F Ends (ISO 228/1)
- PTFE Seats & Seals
- Anti-Blow Out Stem
- Full Bore
- Locking Lever, Thermal Extension & Tee Handle Options Available
- WRAS Approved

### Pressure / Temperature



DN	1/4"	3/8"	1/2"	3/4"	1"	1 1/4"	1 1/2"	2"
Ø	8.5	10	14.5	19	24.5	31.5	40	49
SI	52	52	65	72.5	82	96.5	109.6	130
L	82	82	88	100	125	140	140	165
Kgs	0.15	0.14	0.23	0.32	0.48	0.78	1.05	1.62

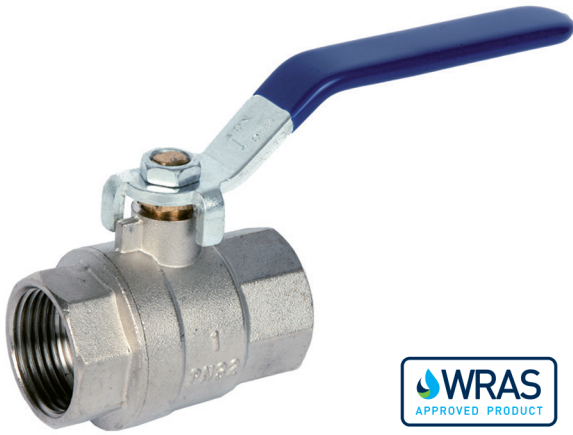
### Technical Data

Max Pressure	40 Bar
Working Temperature	-20°C to +140°C

N.	Part Name	Materials
1	Body	Brass - CW617N
2	Ball Seat	PTFE
3	Ball	Brass CW617N
4	Bonnet	Brass - CW617N
5	O-Ring	NBR
6	Packing	PTFE
7	Stem	Brass - Hpb59-T
8	Lock Nut	Brass - Hpb59-T
9	Nut	Steel - #201
10	Handle	Steel Q235 + PVC

Dimensions in mm

This data sheet is designed as a guide and should not be regarded as wholly accurate in every detail. We reserve the right to amend the specification of any product without notice.

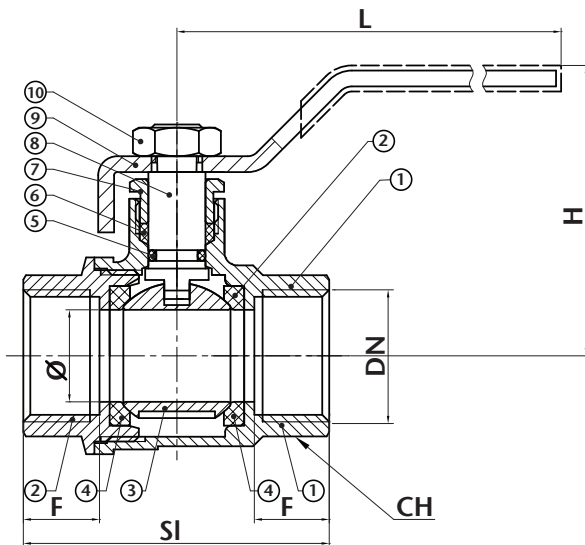
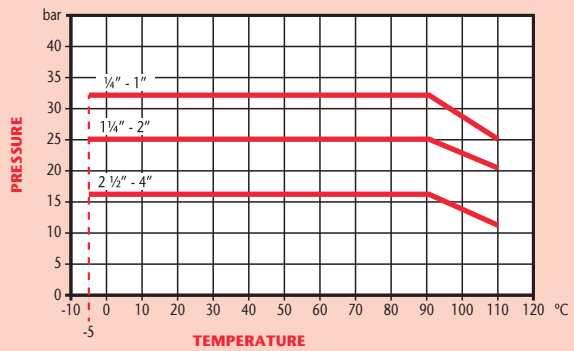


## PN32 Brass Ball Valve

### Features

- Screwed BSP Parallel (ISO 228/1)
- Anti-Blow-Out Stem
- PTFE Seat
- Full Bore
- WRAS Approved

### Pressure / Temperature



DN	1/4"	3/8"	1/2"	3/4"	1"	1 1/4"	1 1/2"	2"	2 1/2"	3"	4"
Ø	10.5	10.5	15	20	25	32	40	50	62	75	95
F	9.5	10	10	11	13	15.5	16.5	18	23.5	25	27
SI	42	43.5	49	57.5	69.5	80.5	91.5	110	132	150	181
H	39.5	39.5	42.5	46	69	69	83.5	83.5	107	116.5	152
L	80	80	92	92	105	105	150	150	225	225	250
CH	17.5	20.5	25	31	38	47	54	66	84	96	123
Kgs	0.12	0.12	0.18	0.27	0.42	0.71	0.93	1.52	2.90	3.82	7.03

### Technical Data

Max Pressure	1/4"-1"	32 Bar
	1 1/4"-2"	25 Bar
	2 1/2"-4"	16 Bar
Working Temperature	-5°C to +110°C	

N.	Part Name	Materials
1	Body	Brass/Nickel Plated
2	Body End	Brass/Nickel Plated
3	Ball	Brass/Chrome Plated
4	Seat	PTFE
5	'O' Ring	NBR
6	Stem Packing	PTFE
7	Lock Nut	Brass
8	Stem	Brass
9	Lever	Steel/Zinc Plated
10	Nut	Steel/Zinc Plated

Dimensions in mm

This data sheet is designed as a guide and should not be regarded as wholly accurate in every detail. We reserve the right to amend the specification of any product without notice.

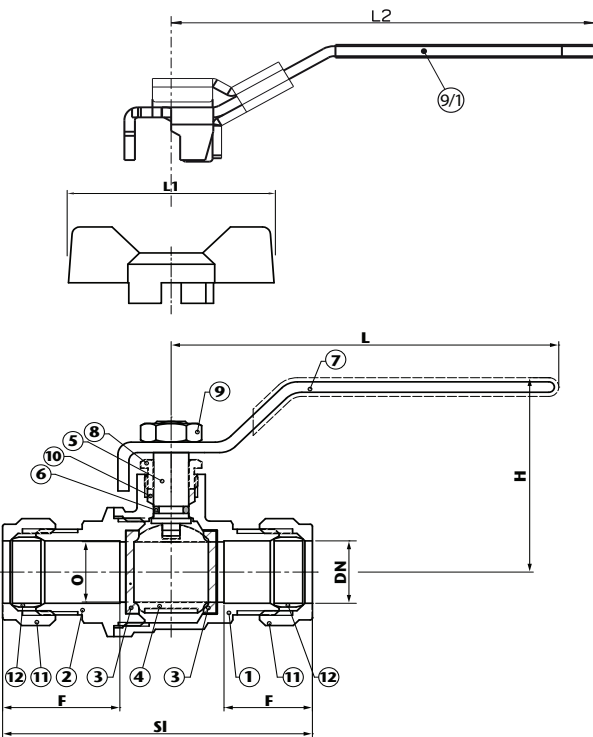
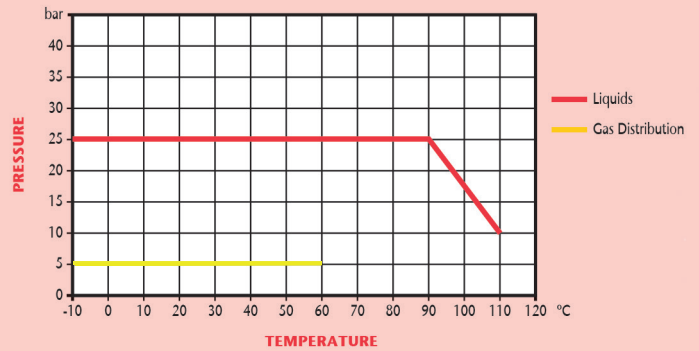


## PN25 Brass Ball Valve

### Features

- Compression Ends
- Anti-Blow-Out Stem
- PTFE Seats & Seals
- Full Bore
- WRAS & EN331 Approved
- Locking Lever & Tee Handle Options Available

### Pressure / Temperature



### Technical Data - Gas Distribution

Max Pressure	5 Bar
Working Temperature	-10°C to +60°C

### Technical Data

Max Pressure	25 Bar
Working Temperature	-10°C to +110°C

DN	15	22	28	35	42	54
O	14.5	19.0	24.5	31.5	39.5	49.5
F	18.75	20.25	22	24	28	32
SI	70.5	80	91.5	109	123	150
H	52.5	54.5	69	78	86	100
L	83	93	124	133	133	158
L1	52	52	62			
L2	100	100	125	150	150	165
Kgs	0.23	0.34	0.57	0.94	1.81	2.15

N.	Part Name	Materials
1	Body	Brass/Nickel Plated
2	Body End	Brass/Nickel Plated
3	Seat	PTFE
4	Ball	Brass/Chrome Plated
5	Stem	Brass
6	O-ring	NBR
7	Lever	Steel
8	Lock Nut	Brass
9	Nut	Steel
9/1	Lockable Lever	Steel/PVC Plastic Coated
10	Stem Packing	PTFE
11	Nut	Brass
12	Olive	Brass

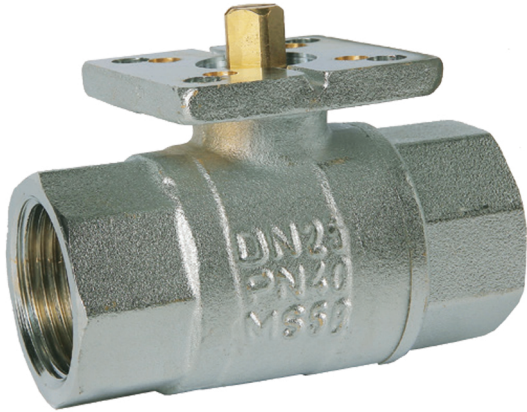
Dimensions in mm

This data sheet is designed as a guide and should not be regarded as wholly accurate in every detail. We reserve the right to amend the specification of any product without notice.

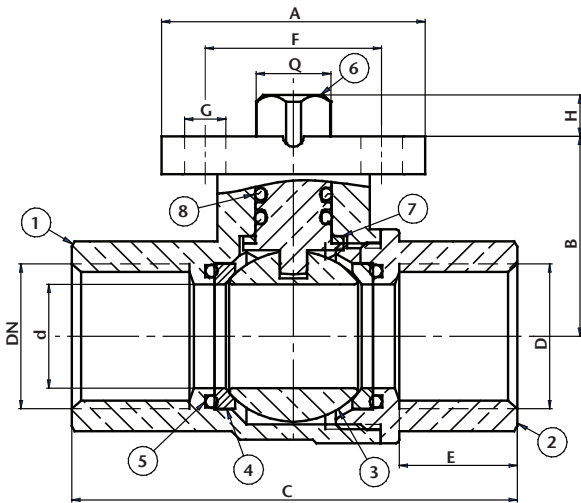
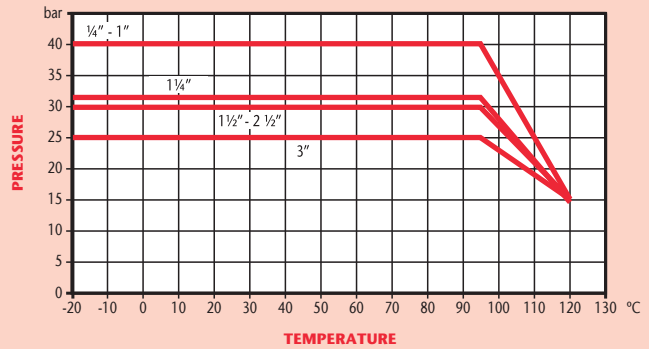
## PN40 Brass Ball Valve

### Features

- Screwed BSP Parallel (ISO 228/1)
- PTFE Seats & Seals
- ISO 5211 Direct Mount
- Low Torque



### Pressure / Temperature



DN	1/4"	3/8"	1/2"	3/4"	1"	1 1/4"	1 1/2"	2"	2 1/2"	3"
d	11.5	15	15	20	25	32	38	45	62	76
A	38	38	38	38	50	50	50	50	70	70
B	29	29	29	32	36	41	57	64	90	100
C	64	64	64	76	88	96	103	121	165	188
G	6	6	6	6	7	7	7	7	8.5	8.5
E	17	17	17	19	21	22	22	25	34	37
F	36	36	36	36	50	50	50	50	70	70
Drilling	F03	F03	F03	F03	F05	F05	F05	F05	F07	F07
Q	9	9	9	9	9	9	11	11	14	14
H	10	10	10	10	10	10	12	12	16	16
Torque	3	3	3	4	5	10	15	15	20	20
Kgs	0.335	0.315	0.280	0.410	0.705	0.950	1.160	2.055	3.850	5.515

Torque calculated at zero pressure includes 25% safety, add 25% for dry duty.

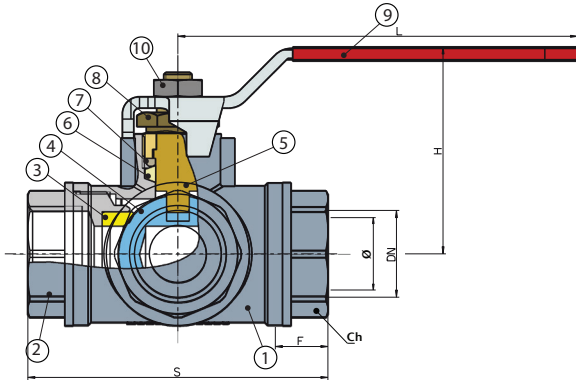
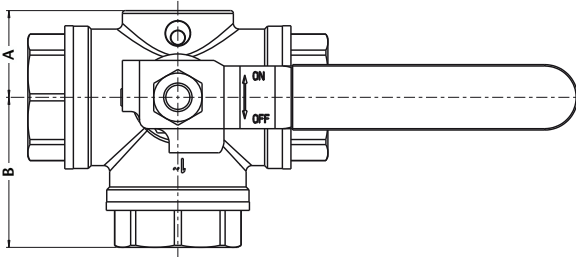
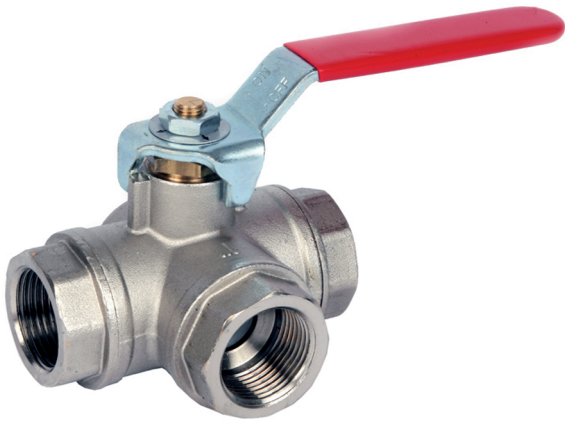
### Technical Data

Max Pressure	1/4"-1"	40 Bar
	1 1/4"	32 Bar
	1 1/2"-2 1/2"	30 Bar
	3"	25 Bar
Working Temperature	-20°C to +120°C	

N.	Part Name	Materials
1	Body	Brass/Nickel Plated
2	Body End	Brass/Nickel Plated
3	Ball	Brass/Chrome Plated
4	Seat	PTFE
5	'O' Ring	PTFE
6	Stem	Brass/Nickel Plated
7	Washer	PTFE
8	'O' Ring	Viton

Dimensions in mm

This data sheet is designed as a guide and should not be regarded as wholly accurate in every detail. We reserve the right to amend the specification of any product without notice.

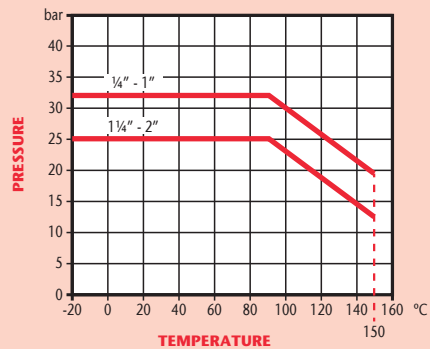


## PN32 Brass 3 Way Ball Valve

### Features

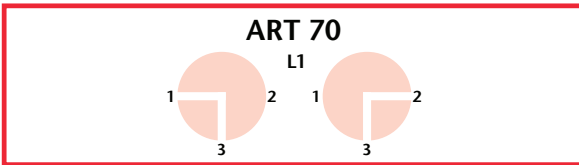
- Screwed BSP Parallel (ISO 228/1)
- PTFE Seats & Seals
- Reduced Bore
- 'L' & 'T' Port

### Pressure / Temperature

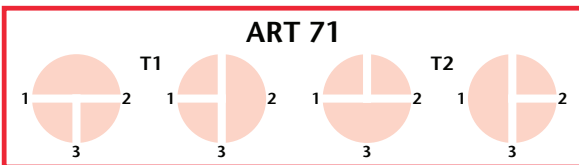


DN	1/4"	3/8"	1/2"	3/4"	1"	1 1/4"	1 1/2"	2"
S	74	74	80	90	105	115	138	161
H	58	58	60	64	73	79	100	105
B	37	37	39	46	52	58	69	80
A	22	22	24	28	31	35	42	48
F	12	12	14	16	19	21	23	26
Ch	22	22	29	34	42	50	57	68
L	90	90	125	125	140	140	220	220
ø	10	10	12	15	20	25	32	40
Kgs	0.69	0.73	0.82	1.04	1.74	2.70	4.32	8.37

N.	Part Name	Materials
1	Body	Brass/Nickel Plated
2	Body End	Brass/Nickel Plated
3	Seat	PTFE
4	Ball	Brass/Chrome Plated
5	Stem	Brass
6	Stem Seat	PTFE
7	Packing Nut	Brass
8	Lever	Steel/PVC Coated
9	Nut	Steel/Zinc Plated



Ball Positions



Ball Positions

### Technical Data

Max Pressure	1/4"-1"	32 Bar
	1 1/4"-2"	25 Bar
Working Temperature	-20°C to +150°C	

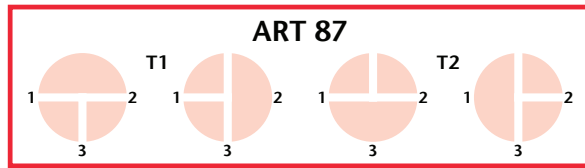
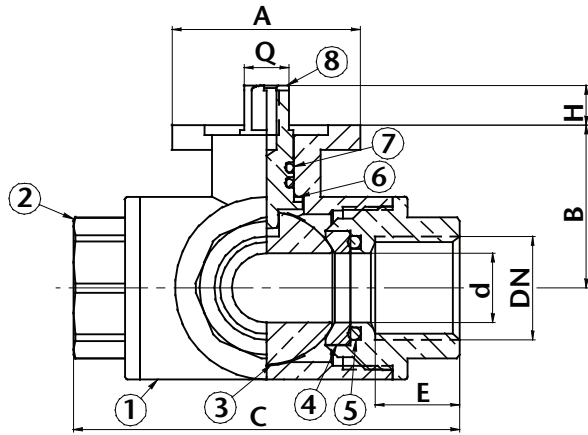
Dimensions in mm

This data sheet is designed as a guide and should not be regarded as wholly accurate in every detail. We reserve the right to amend the specification of any product without notice.

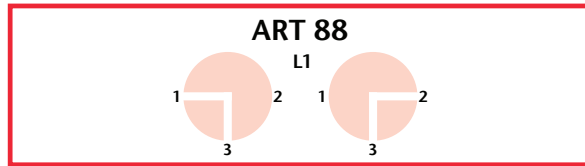
## PN30 Brass 3 Way Ball Valve

### Features

- Screwed BSP Parallel (ISO 228/1)
- PTFE Seals
- ISO 5211 Direct Mount
- Levers Available
- 'T' & 'L' Port



Ball Positions



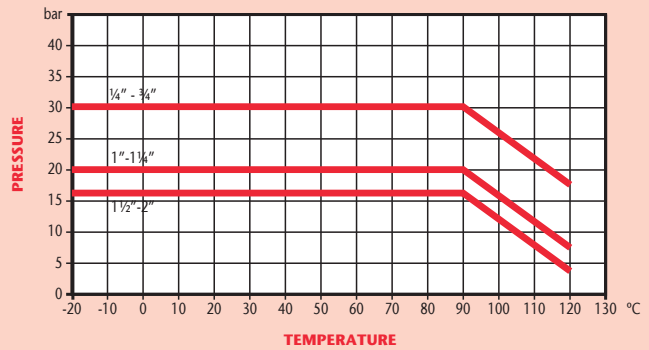
Ball Positions

Technical Data		
Max Pressure	1/4" - 3/4"	30 Bar
	1" - 1 1/4"	20 Bar
	1 1/2" - 2"	16 Bar
Working Temperature	-20°C to +120°C	

Dimensions in mm

This data sheet is designed as a guide and should not be regarded as wholly accurate in every detail. We reserve the right to amend the specification of any product without notice.

### Pressure / Temperature



DN	1/4"	3/8"	1/2"	3/4"	1"	1 1/4"	1 1/2"	2"
d	10	10	14	19	24	30	38	48
A	38	38	38	50	50	50	70	70
B	30	30	33	42	47	52	70	79.5
C	65	65	78	87	105	118	134	161
E	15	15	17	18	21	23.5	23.5	27.5
H	10	10	10	12	12	12	16	16
Q	9	9	9	11	11	11	14	14
ISO5211	F03	F03	F03	F05	F05	F05	F07	F07
Torque	3	3	4	10	13	13	20	25
Kgs (ART 87)	0.42	0.39	0.57	0.88	1.47	1.99	3.64	6.15
Kgs (ART 88)	0.42	0.39	0.57	0.90	1.49	2.05	3.73	6.29

Torque calculated at zero pressure includes 25% safety, add 25% for dry duty.

N.	Part Name	Materials
1	Body	Brass/Chrome Plated
2	Body End	Brass/Chrome Plated
3	Ball	Brass/Chrome Plated
4	Ring	PTFE
5	'O' Ring	Viton
6	Washer	PTFE
7	'O' Ring	Viton
8	Stem	Brass/Nickel Plated



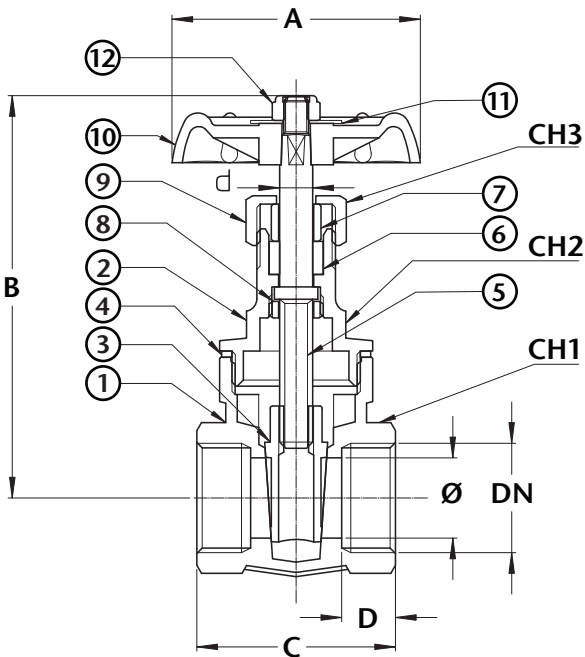
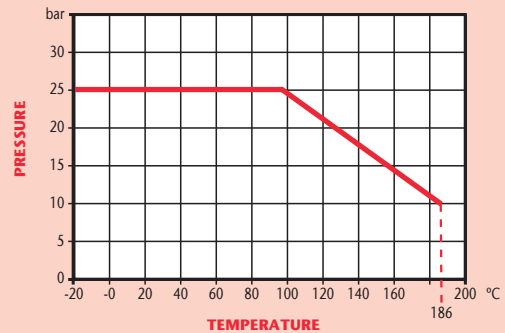
## PN25 Brass Gate Valve

### Features

- Screwed BSP Taper (ISO 7/1)
- Full Bore
- BS5154
- Kite Marked KM553179



### Pressure / Temperature



DN	1/2"	3/4"	1"	1 1/4"	1 1/2"	2"	2 1/2"	3"	4"
ø	13	19.4	26	32	38.5	50.4	64	77	102
A	55	60	65	75	80	90	120	140	175
B	80	97	108	122	142	166	212	248	297
C	44	48	55	61	65	71	92	98	107
D	12	13	15.5	16.5	18	19	24	26	28
CH1	27	33	40	50	56	69	85	100	130
CH2	22	24	26	32	42	52	60	80	110
CH3	19	21	21	25	25	29	33	37	45
d	8	8	9	10	11	12	16	17	19
Kgs	0.26	0.39	0.53	0.81	1.15	1.80	3.52	5.33	8.96

N.	Part Name	Materials
1	Body	Brass
2	Bonnet	Brass
3	Wedge	Brass
4	Packing	Graphite
5	Stem	Brass
6	Gasket	PTFE
7	Gland Screw	Brass
8	Cap	Brass
9	Nut	Brass
10	Handwheel	Steel
11	Plate	Aluminium
12	Self-Locking Nut	Steel

### Technical Data

Max Pressure	25 Bar
Working Temperature	-10°C to +186°C

Dimensions in mm

This data sheet is designed as a guide and should not be regarded as wholly accurate in every detail. We reserve the right to amend the specification of any product without notice.

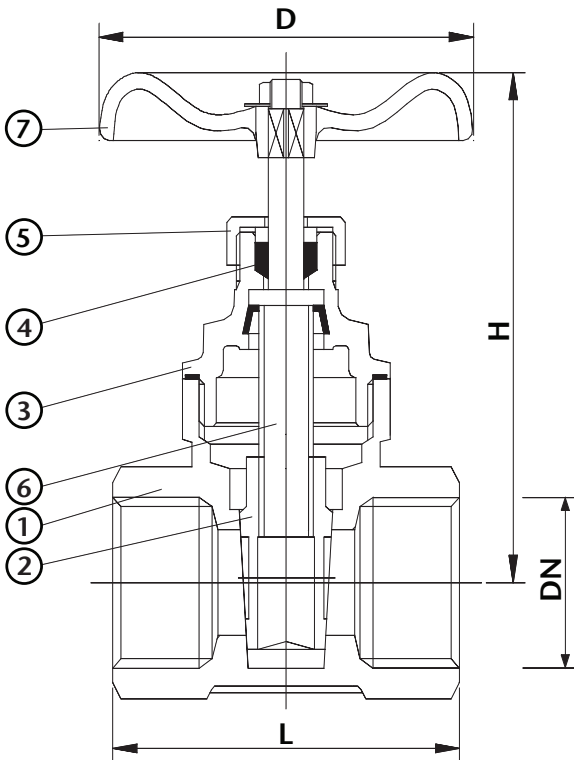
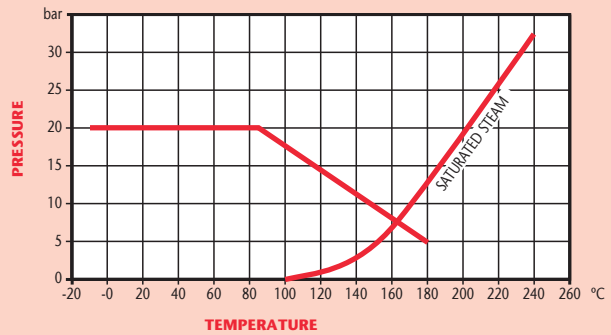
## PN20 Brass Gate Valve

### Features

- Screwed BSP Taper (ISO 7/1)
- Brass Body & Wedge
- BS5154



### Pressure / Temperature



DN	1/2"	3/4"	1"	1 1/4"	1 1/2"	2"	2 1/2"	3"	4"
L	43	46	52	65	66	82.5	94	103	119.5
H	72.1	76.7	87.6	103	113.7	147.7	163.5	190	235
D	55	55	60	72	72	80	100	110	130
Kgs	0.25	0.31	0.42	0.71	0.92	1.42	2.55	3.22	5.76

### Technical Data

Max Pressure	20 Bar
Working Temperature	-10°C to +180°C

N.	Part Name	Materials
1	Body	Brass
2	Wedge	Brass
3	Bonnet	Brass
4	Stem Packing	PTFE
5	Gland nut	Brass
6	Stem	Brass
7	Handwheel	Cast Iron

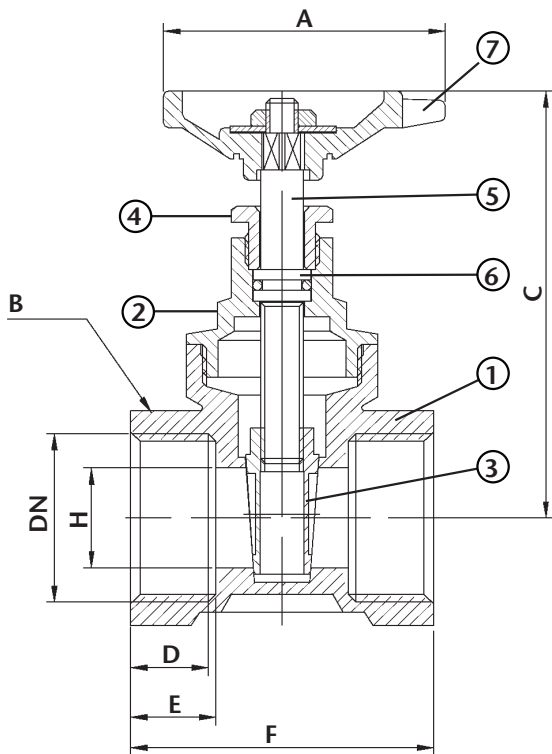
Dimensions in mm

This data sheet is designed as a guide and should not be regarded as wholly accurate in every detail. We reserve the right to amend the specification of any product without notice.

## PN16 Brass Gate Valve

### Features

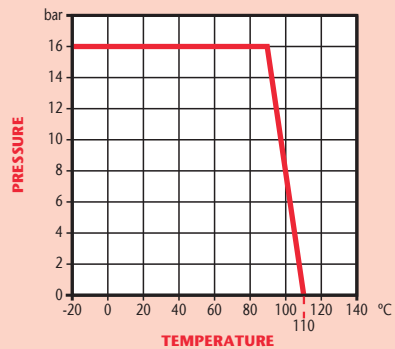
- Screwed BSP Parallel
- Brass Body & Wedge



### Technical Data

Max Pressure	16 Bar
Working Temperature	-20°C to +110°C

### Pressure / Temperature



DN	1/4"	3/8"	1/2"	3/4"	1"	1 1/4"	1 1/2"	2"
A	55	55	55	55	60	70	70	80
B	24	24	24	31	37	47	54.5	65
C	65	65	65	66	70	98	10.5	122
D	10	10	10.5	11	12	12	14	14
E	11	11	11	11.5	12.5	13	15	15
F	39	39	39	41	47	51	58	58
H	11	12	13	15	19	25	31	37
Kgs	0.15	0.15	0.20	0.26	0.36	0.53	0.73	0.96

N.	Part Name	Materials
1	Body	Brass
2	Body End	Brass
3	Wedge	Brass
4	Gland nut	Brass
5	Stem	Brass
6	Stem Packing	PTFE
7	Handwheel	Cast Iron

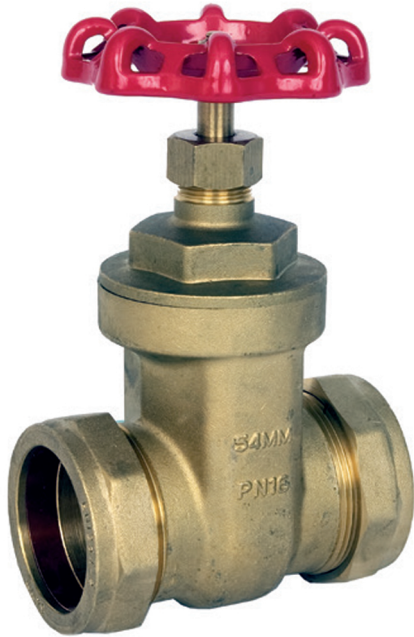
Dimensions in mm

This data sheet is designed as a guide and should not be regarded as wholly accurate in every detail. We reserve the right to amend the specification of any product without notice.

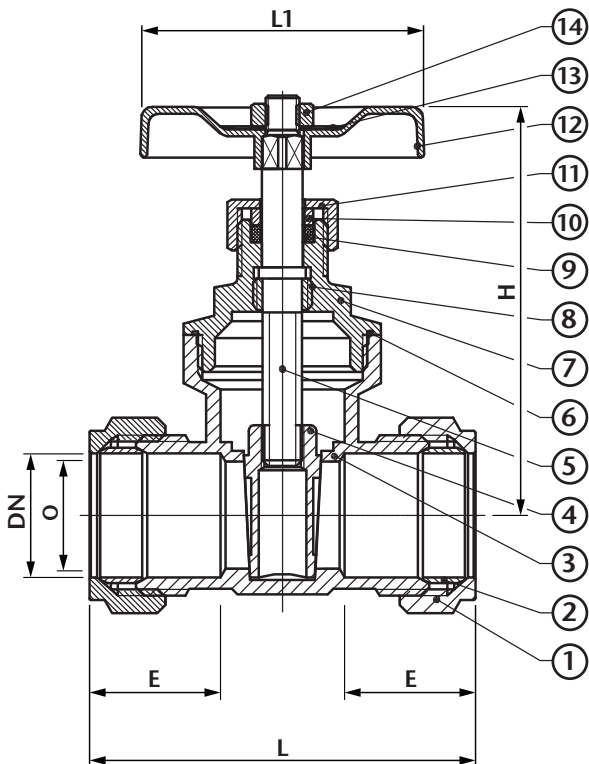
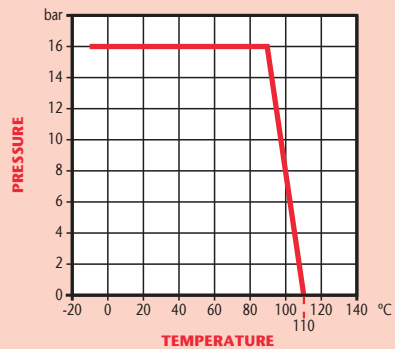
## PN16 Brass Gate Valve

### Features

- Compression Ends
- Brass Body & Wedge
- BS5154



### Pressure / Temperature



DN	15	22	28	35	42	54
O	13	19	25.5	32	38	80
E	20	24	24.5	33	33	40
L	60	68	77	93	97	116
L1	50	50	58	77	77	100
H	66	72	87	132	134	164

N.	Part Name	Materials
1	Compression Nut	Brass
2	Olive	T2
3	Body	Brass
4	Wedge	Brass
5	Stem	Brass
6	Seat	PTFE
7	Bonnet	Brass
8	Lock Ring	Brass
9	Packing	PTFE
10	Packing Gland Washer	Brass
11	Packing Gland Nut	Brass
12	Handle Wheel	Iron
13	Name Plate	Aluminium
14	Nut	Brass/Copper Plated

### Technical Data

Max Pressure	16 Bar
Working Temperature	-10°C to +110°C

Dimensions in mm

This data sheet is designed as a guide and should not be regarded as wholly accurate in every detail. We reserve the right to amend the specification of any product without notice.

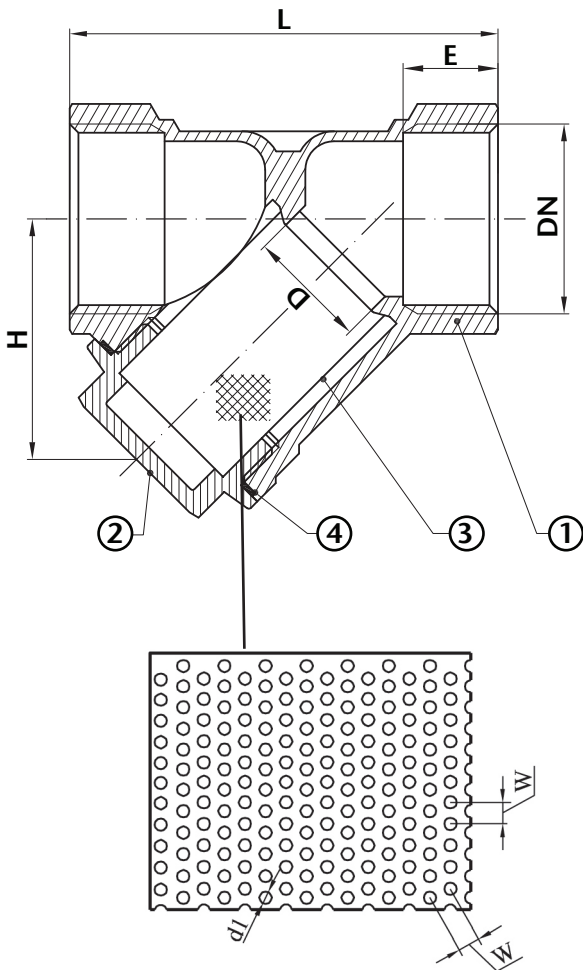
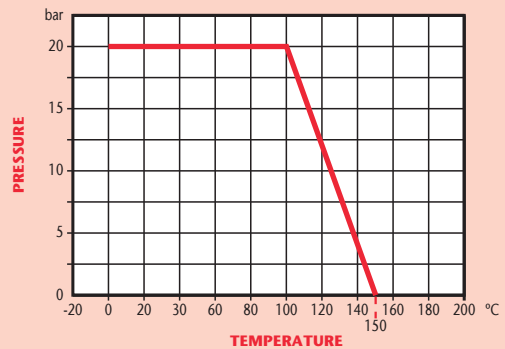
## PN20 Brass Y Strainer

### Features

- Screwed BSP Parallel (ISO 228/1)
- Brass Body
- Stainless Steel Mesh



### Pressure / Temperature



DN	1/2"	3/4"	1"	1 1/4"	1 1/2"	2"	2 1/2"	3"	4"
L	57	72	74.5	95	105	129	142.5	160	245
H	34.5	39.5	43	54	61.5	61.5	83	93	143
E	12.5	15	16.5	18	18	20	20	22	30
D	15	18.5	21	29	38	46	58	64	100
d1	0.60	0.84	0.84	0.84	0.84	0.84	0.84	0.84	0.84
W	0.9	1.3	1.3	1.3	1.3	1.3	1.3	1.3	1.3
Kgs	0.16	0.28	0.35	0.62	0.83	1.20	1.98	3.03	7.00

### Technical Data

Max Pressure	20 Bar
Working Temperature	0°C to +150°C

N.	Part Name	Materials
1	Body	Brass
2	Bonnet	Brass
3	Strainer	Stainless Steel 304
4	Gasket	PTFE

Dimensions in mm

This data sheet is designed as a guide and should not be regarded as wholly accurate in every detail. We reserve the right to amend the specification of any product without notice.

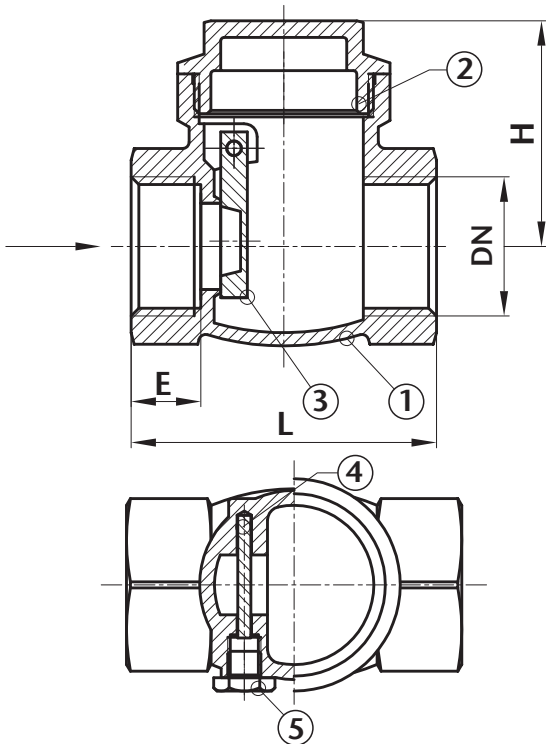
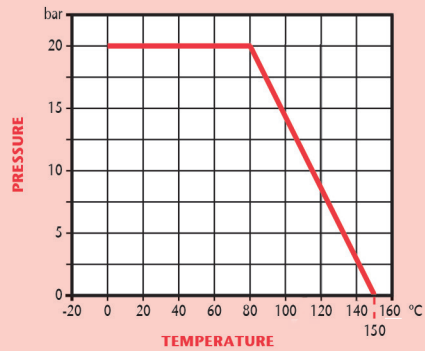
## PN20 Brass Swing Check Valve

### Features

- Screwed BSP Parallel (ISO 228/1)
- Brass Body
- Metal Seat



### Pressure / Temperature



DN	1/2"	3/4"	1"	1 1/4"	1 1/2"	2"	2 1/2"	3"	4"
L	46	56	63.5	67.5	82	94	105	126.5	159
H	34	37.5	44.5	50	56.5	65.5	77	82	103
E	10.5	13.5	14.5	14	17	19	21	23.5	27.5
D	13	18	22	29	33	42.5	50	62	83
Kgs	0.15	0.22	0.35	0.53	0.74	1.17	1.81	2.43	4.9

### Technical Data

Max Pressure	20 Bar
Working Temperature	0°C to 150°C

N.	Part Name	Materials
1	Body	Brass CW617N
2	Bonnet	Brass CW617N
3	Disc	Brass CW617N
4	Pin	Stainless Steel 304
5	Plug	Brass

Dimensions in mm

This data sheet is designed as a guide and should not be regarded as wholly accurate in every detail. We reserve the right to amend the specification of any product without notice.

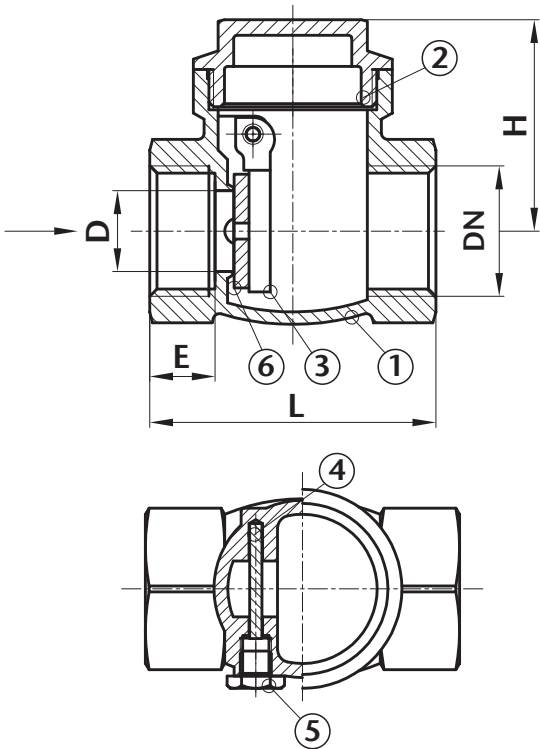
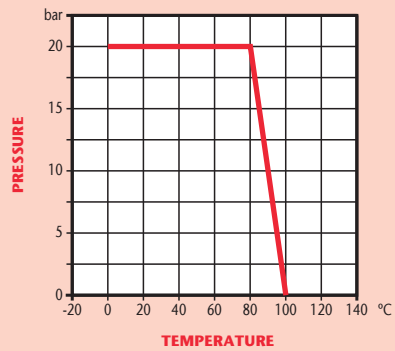
## PN20 Brass Swing Check Valve

### Features

- Screwed BSP Parallel (ISO 228/1)
- Brass Body
- NBR Rubber Seat



### Pressure / Temperature



DN	1/2"	3/4"	1"	1 1/4"	1 1/2"	2"	2 1/2"	3"	4"
L	46	56	63	67.5	82	94	106	126.5	159
H	34	37.5	44.5	50	56.5	64.5	76	82	103
E	10.5	13.5	14.5	14.5	17	19	19	23.5	27.5
D	13	18	22	29	33	42	47	62	83
Kgs	0.15	0.22	0.34	0.52	0.75	1.14	1.83	2.44	4.93

### Technical Data

Max Pressure	20 Bar
Working Temperature	0°C to +100°C

N.	Part Name	Materials
1	Body	Brass
2	Bonnet	Brass
3	Disc	Brass
4	Pin	Stainless Steel 304
5	Plug	Brass
6	Sealing Ring	NBR

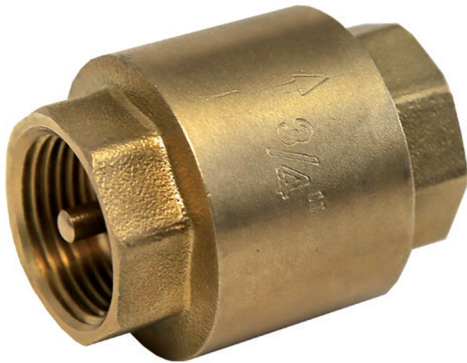
Dimensions in mm

This data sheet is designed as a guide and should not be regarded as wholly accurate in every detail. We reserve the right to amend the specification of any product without notice.

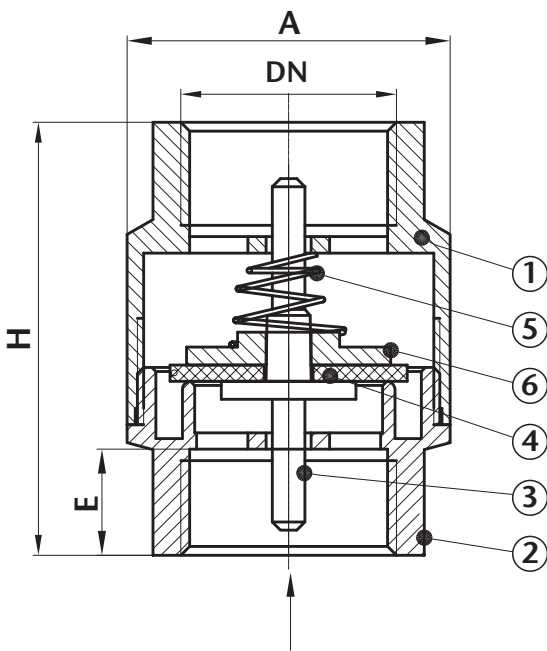
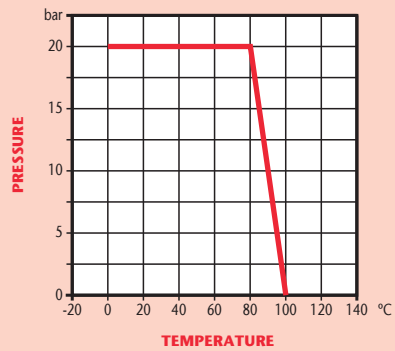
## PN20 Brass Spring Check Valve

### Features

- Screwed BSP Parallel (ISO 228/1)
- Brass Body
- Brass Disc
- NBR Seat



### Pressure / Temperature



DN	3/8"	1/2"	3/4"	1"	1 1/4"	1 1/2"	2"	2 1/2"	3"	4"
A	32.5	33	39	45	55	60	79	95	110	143
H	44.5	47	49	58	65	70	83	100	107	111
E	11	12	14	14.5	14.5	16	18.5	22	24	24
Kgs	0.14	0.13	0.18	0.26	0.40	0.59	0.84	1.50	1.92	3.05

### Technical Data

Max Pressure	20 Bar
Working Temperature	0°C to +100°C

N.	Part Name	Materials
1	Body	Brass
2	Bonnet	Brass
3	Disc Holder	Brass
4	Disc	Brass / NBR
5	Spring	Stainless Steel 304
6	Spring Holder	Brass

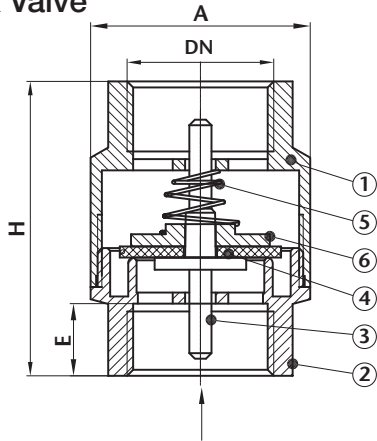
Dimensions in mm

This data sheet is designed as a guide and should not be regarded as wholly accurate in every detail. We reserve the right to amend the specification of any product without notice.

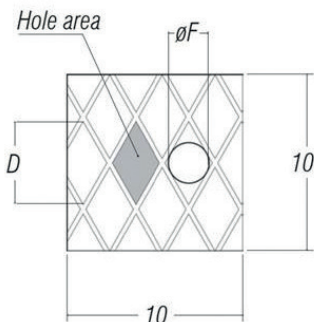
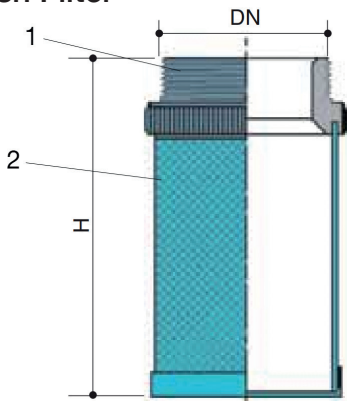




Check Valve



Mesh Filter



## Foot Valve

### Features

- PN20 Brass Spring Check Valve with Stainless Steel Mesh Filter
- Screwed BSP Parallel (ISO 228/1)
- Check Valve has Brass Body and Brass Disc
- NBR Seat

### Check Valve

DN	1/2"	3/4"	1"	1 1/4"	1 1/2"	2"	2 1/2"	3"	4"
A	33	39	45	55	60	79	95	110	143
H	47	49	58	65	70	83	100	107	111
E	12	14	14.5	14.5	16	18.5	22	24	24
Kgs	0.13	0.18	0.26	0.40	0.59	0.84	1.50	1.92	3.05

N.	Part Name	Material
1	Body	Brass
2	Bonnet	Brass
3	Disc Holder	Brass
4	Disc	Brass / NBR
5	Spring	Stainless Steel 304
6	Spring Holder	Brass

### Mesh Filter

DN	1/2"	3/4"	1"	1 1/4"	1 1/2"	2"	2 1/2"	3"	4"
H	57	56	59	67	68	89	97	107	119
nr.holes/cm <sup>2</sup>	24	24	24	24	24	24	24	24	24
Hole area	1.1 <sup>2</sup>	1.1 <sup>2</sup>	1.1 <sup>2</sup>	1.1 <sup>2</sup>	1.1 <sup>2</sup>	1.1 <sup>2</sup>	1.1 <sup>2</sup>	1.1 <sup>2</sup>	1.1 <sup>2</sup>
D	2.6	2.6	2.6	2.6	2.6	2.6	2.6	2.6	2.6
ØF	0.85	0.85	0.85	0.85	0.85	0.85	0.85	0.85	0.85
Kgs	0.03	0.04	0.07	0.09	0.10	0.20	0.23	0.32	0.49

N.	Part Name	Material
1	Mesh Filter	Stainless Steel
2	Connection	Nylon

### Technical Data

Max Pressure	1/2" - 1"	16 Bar
	1 1/4" - 2"	10 Bar
	2 1/2" - 4"	8 Bar
Working Temperature	0°C to +90°C	

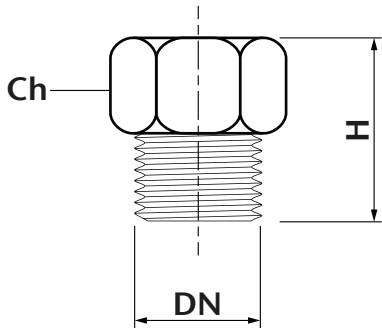
Dimensions in mm

This data sheet is designed as a guide and should not be regarded as wholly accurate in every detail. We reserve the right to amend the specification of any product without notice.

## ART 1837 Check Valve for Automatic Air Vent

### Features

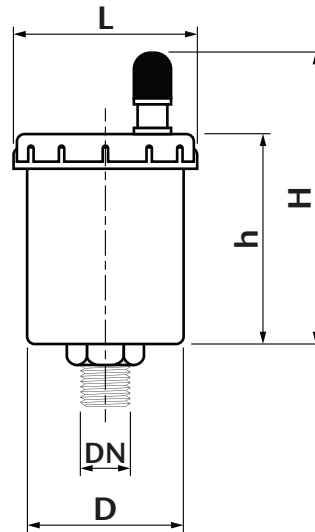
- Screwed BSP Parallel M/F Ends
- Body Brass CW617N Nickel Plated



## ART 1360 Automatic Air Vent

### Features

- Screwed BSP Parallel Male End
- Body Brass CW617N Nickel Plated



DN	3/8"	1/2"
H	25	25
Ch	19	23
Kgs	0.02	0.04

DN	3/8"	1/2"
D	39	39
H	61	61
h	46	46
L	47	47
Kgs	0.15	0.16

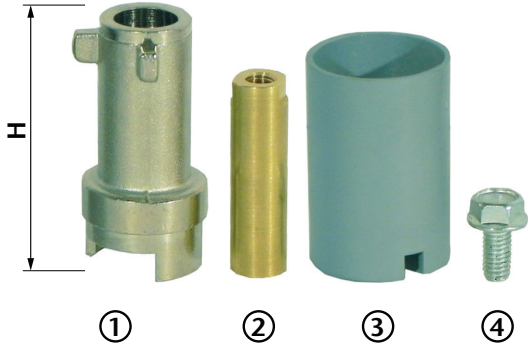
Technical Data	
Max Pressure	10 Bar
Working Temperature	5°C to 110°C

Technical Data	
Max Pressure	10 Bar
Working Temperature	5°C to 110°C

Dimensions in mm

This data sheet is designed as a guide and should not be regarded as wholly accurate in every detail. We reserve the right to amend the specification of any product without notice.

## ART 97 Thermal Extension

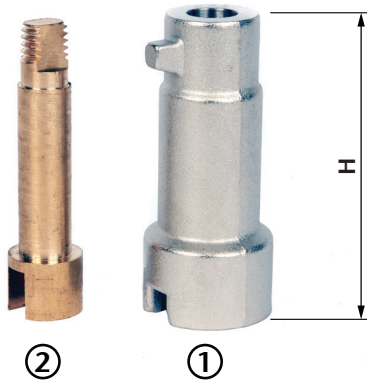


DN	1/4"	3/8"	1/2"	3/4"	1"	1 1/4"	1 1/2"	2"	2 1/2"	3"	4"
Art 45T	M	M	1A	1A	2A	2A	3A	3A	5A	5A	5A
Art 45P	M	M	1A	1A	2A	2A	3A	3A	5A	5A	5A
Art 70/71	T1A	T1A	T2A	T2A	T3A	T3A	T4A	T4A			

	M	1A	2A	3A	4A	5A
H	50	55	65	75	90	100

N.	Part Name	Materials
1	Extension	Brass/Nickel Plated
2	Stem	Brass
3	Fix Cover	Plastic
4	Screw	Steel

## ART 97C Thermal Extension



DN	1/2" - 15mm	3/4" - 22mm	1" - 28mm	1 1/4" - 35mm	1 1/2" - 42mm	2" - 54mm
Art 40	1B	1B	2B	3B	3B	4B
Art 89	1B	1B	2B	3B	3B	4B
Art 50	1B	1B	2B	3B	3B	4B
Art 59	1B	1B	2B	3B	3B	4B

	1B	2B	3B	4B
H	55	65	75	85

N.	Part Name	Materials
1	Extension	Brass/Nickel Plated
2	Stem	Brass

## ART 97I Thermal Extension for ART 55PRS



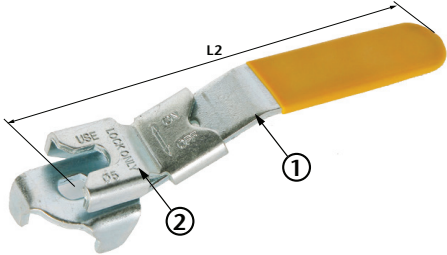
	15 & 22mm	28 & 35mm	42 & 54mm
DN	M.6	M.8	M.10
A	18.5	26	32
B	63.5	65.5	68.5
B1	64	64	68
Kgs	0.08	0.10	0.15

N.	Part Name	Materials
1	Extension	Aluminium Alloy EN AB-46100
2	Stem	Brass CW617N-M
3	O-Ring	PTFE

Dimensions in mm

This data sheet is designed as a guide and should not be regarded as wholly accurate in every detail. We reserve the right to amend the specification of any product without notice.

## ART 257 Locking Device for ART 45 & ART 257C for ART 40, 50, 59, 89 Ball Valve Series



### ART 257

DN	Choice of Handle							
	1/4"	3/8"	1/2"	3/4"	1"	1 1/4"	1 1/2"	2"
45-46-47	M	M	1A	1A	2A	2A	3A	3A
L2	M		1A		2A		3A	
	95		120		150		160	

### ART 257C

DN	Choice of Handle					
	1/2"-15mm	3/4"-22mm	1"-28mm	1 1/4"-35mm	1 1/2"-42mm	2"-54mm
40-50-59-89	C1	C1	C2	C3	C3	C4
L2	C1	C2	C3	C4		
	100	125	150	165		

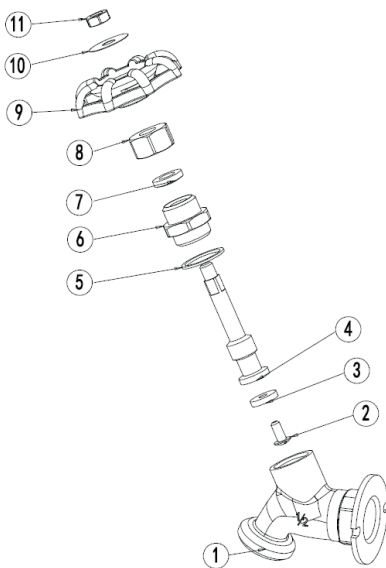
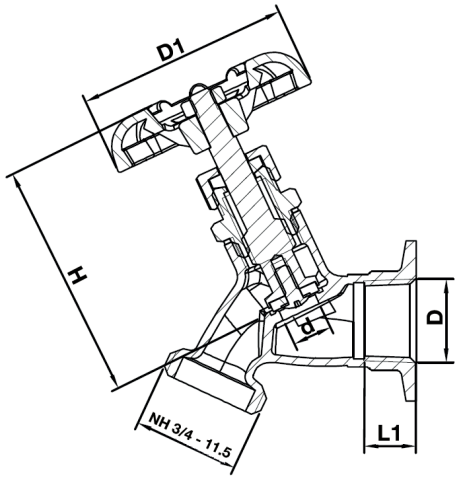
N.	Part Name	Materials
1	Handle	Steel/Nickel Plated
2	Slide Device	Steel/Nickel Plated

## ART 96 Extended Tee Handle



DN	1/2" - 15mm	3/4" - 22mm	1" - 28mm
Art 40	1B	1B	2B
Art 89	1B	1B	2B
Art 50	1B	1B	2B
Art 59	1B	1B	2B

	1/2" - 15mm	3/4" - 22mm	1" - 28mm
L	84	84	102
H	54	54	64

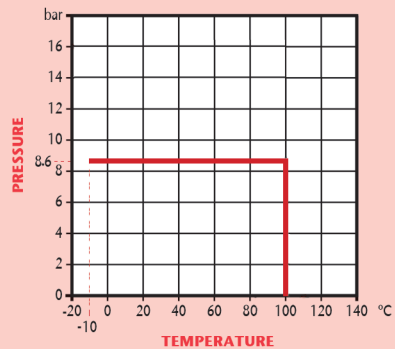


## Lead Free Brass Hose Bib Taps

### Features

- Female Threads NPT (ANSI B1.20.1)
- Male Threads 3/4" NHT

### Pressure / Temperature



D	1/2"	3/4"
D1	53	53
d	10	10
L1	13.5	13.5
H	60.2	60.2
Kgs	0.21	0.23

N.	Part Name	Materials
1	Body	Lead Free Brass C46500
2	Screw	Brass
3	Gasket	EPDM
4	Stem	Lead Free Brass C46500
5	Gasket	PTFE
6	Bonnet	Lead Free Brass C46500
7	Gasket	EPDM
8	Nut	Brass
9	Handwheel	Cast Iron
10	Gasket	Aluminium
11	Nut	Steel Q235

### Technical Data

Max Pressure	125psi (8.6 Bar)
Working Temperature	-10°C to +100°C

Dimensions in mm

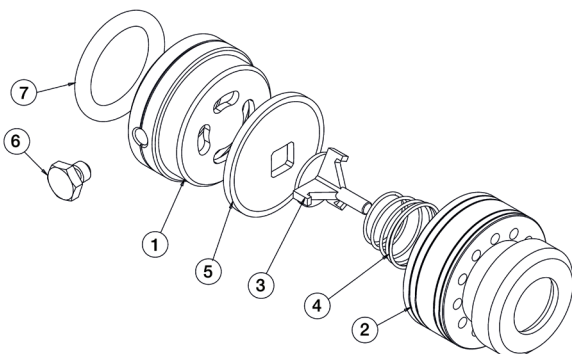
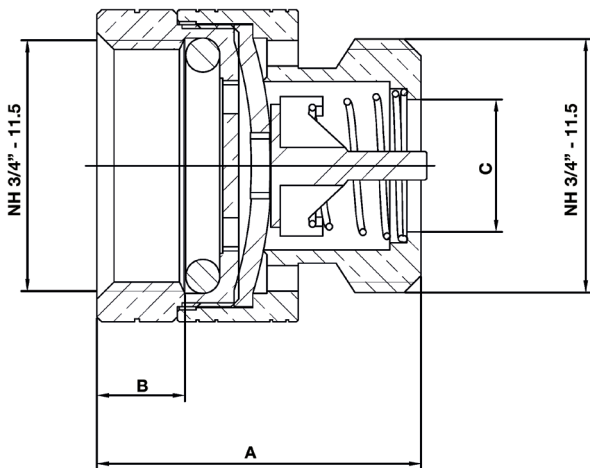
This data sheet is designed as a guide and should not be regarded as wholly accurate in every detail. We reserve the right to amend the specification of any product without notice.



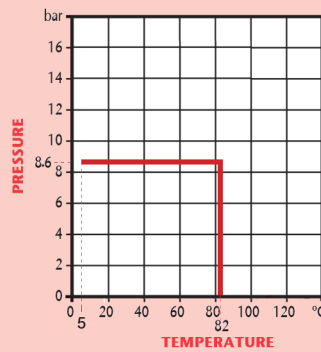
## Lead Free Brass Vacuum Breaker

### Features

- Male / Female NHT Threads
- Conforms to ANSI A1 12.1.13 ASSE standard 1011
- Anti tamper screw
- Manual drain feature



### Pressure / Temperature



DN	3/4"
A	34.3
B	9.3
C	14.0
Kgs	0.11

N.	Part Name	Materials
1	Body	Lead Free Brass C46500
2	Bonnet	Lead Free Brass C46500
3	Core	POM
4	Spring	Stainless Steel
5	Gasket	NBR
6	Screw	Brass
7	O-Ring	NBR

### Technical Data

Max Pressure	125psi (8.6 Bar)
Max Temperature	+5°C to +82°C

Dimensions in mm

This data sheet is designed as a guide and should not be regarded as wholly accurate in every detail. We reserve the right to amend the specification of any product without notice.

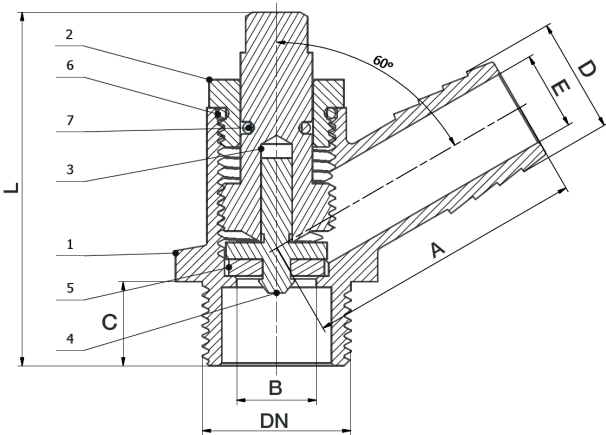
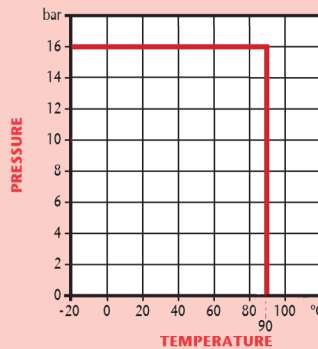


## Brass Drain Cock

### Features

- Screwed Male BSP Parallel (ISO 228/1)
- BS 2879/2 Type A
- Hose connection outlet
- WRAS Approved

### Pressure / Temperature



DN	1/2"	3/4"
A	32.5	50
B	Ø9.5	Ø14.2
C	12.5	15
D	Ø14	Ø20.5
E	Ø9.5	Ø14
L	45-49.5	63-69.5
Kgs	0.08	0.21

N.	Part Name	Materials
1	Body	Brass
2	Bonnet	Brass
3	Stem	Brass
4	Baffle	Brass
5	Washer	EPDM
6	O-Ring	EPDM
7	O-Ring	EPDM

### Technical Data

Max Pressure	16 Bar
Max Temperature	-20°C to +90°C

Dimensions in mm

This data sheet is designed as a guide and should not be regarded as wholly accurate in every detail. We reserve the right to amend the specification of any product without notice.

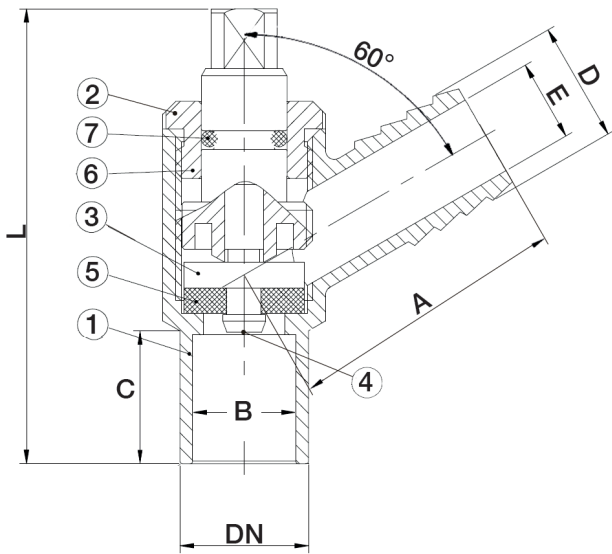
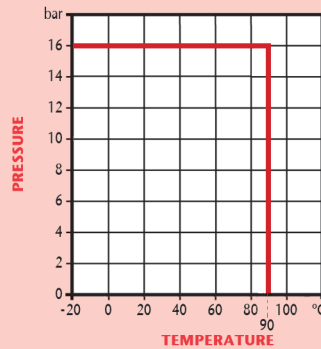


## Brass Drain Cock

### Features

- Male spigot
- BS 2879/2 Type A
- Hose connection outlet
- WRAS Approved

### Pressure / Temperature



DN	15
A	35
B	Ø9.5
C	15.5
D	Ø14
E	Ø9.7
L	51.5-56.0
Kgs	0.07

### Technical Data

Max Pressure	16 Bar
Max Temperature	-20°C to +90°C

Dimensions in mm

This data sheet is designed as a guide and should not be regarded as wholly accurate in every detail. We reserve the right to amend the specification of any product without notice.

N.	Part Name	Materials
1	Body	Brass - HPb59-T
2	Bonnet	Brass - HPb59-T
3	Stem	Brass - HPb59-T
4	Baffle	Brass - HPb59-T
5	Washer	EPDM
6	Lock Nut	Brass - HPb59-T
7	O-Ring	EPDM





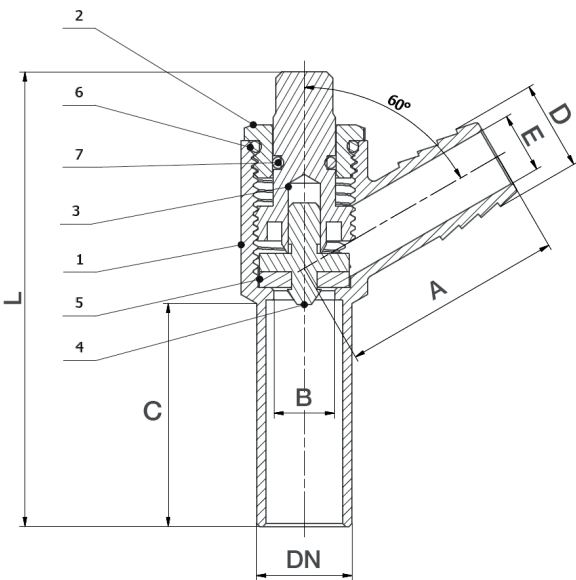
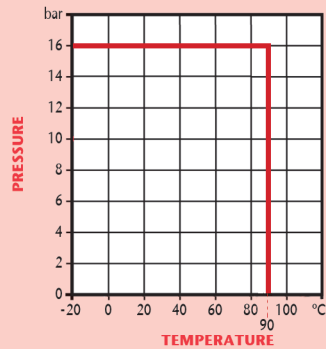
## Brass Drain Cock

### Features

- Extended male spigot
- BS 2879/2 Type A
- Hose connection outlet
- WRAS Approved



### Pressure / Temperature



DN	15
A	35
B	Ø9.5
C	35
D	Ø14
E	Ø9.5
L	71.3-75.8
Kgs	0.09

N.	Part Name	Materials
1	Body	Brass - HPb59-T
2	Bonnet	Brass - HPb59-T
3	Stem	Brass - HPb59-T
4	Baffle	Brass - HPb59-T
5	Washer	EPDM
6	O-Ring	EPDM
7	O-Ring	EPDM

Technical Data	
Max Pressure	16 Bar
Max Temperature	-20°C to +90°C

Dimensions in mm  
This data sheet is designed as a guide and should not be regarded as wholly accurate in every detail. We reserve the right to amend the specification of any product without notice.

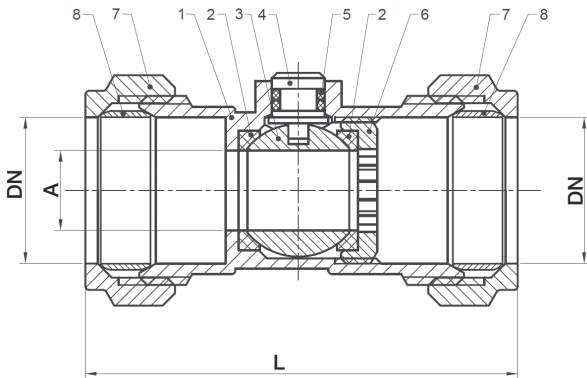
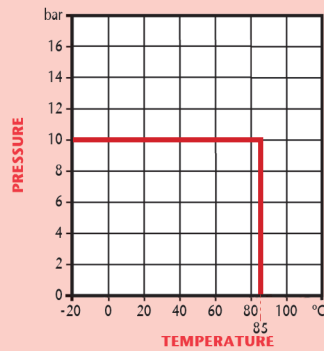


## Compression Isolation Valve

### Features

- Compression ends in accordance with BS EN1254-2
- WRAS Approved

### Pressure / Temperature



DN	15	22
A	Ø8	Ø12
L	50	65
Kgs	0.07	0.16

### Technical Data

Max Pressure	10 Bar
Max Temperature	-20°C to +85°C

N.	Part Name	Materials
1	Body	Brass Nickel Plated
2	Sealing Ring	Silicone
3	Ball	Brass Chrome Plated
4	Stem	Brass
5	O-Ring	NBR
6	Pressure Cap	Brass
7	Cap	Brass Nickel Plated
8	Olive	Copper

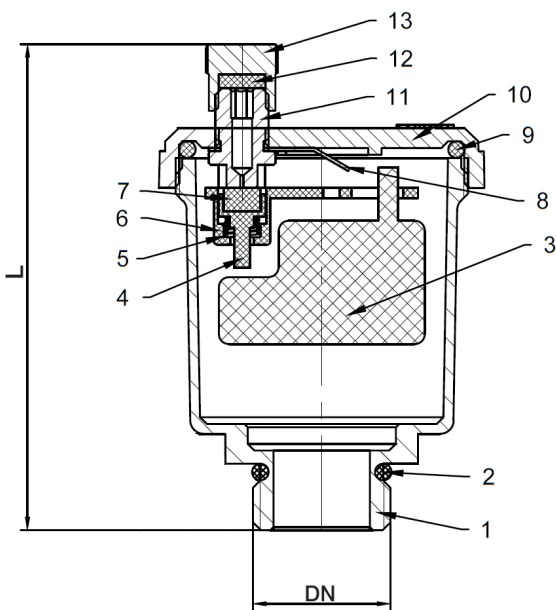
Dimensions in mm

This data sheet is designed as a guide and should not be regarded as wholly accurate in every detail. We reserve the right to amend the specification of any product without notice.

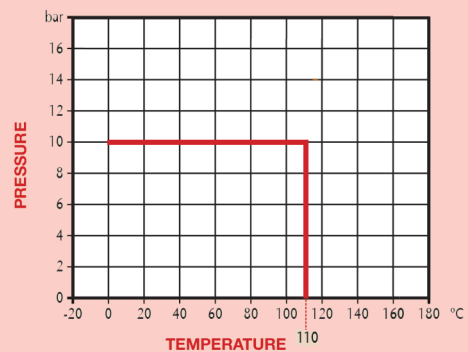
## Brass Air Release Valve

### Features

- Screwed BSP Parallel (ISO 228/1)
- Fitted with O-Ring seal



### Pressure / Temperature



DN	1/2"	3/4"	1"
L	75.1	75.1	79.0
Kgs	0.19	0.20	0.24

N.	Part Name	Materials
1	Body	Brass CW617N
2	O-Ring	EPDM
3	Float	Polypropylene
4	Spring Seat	POM
5	Spring	AISI 304
6	Lever	POM
7	Rubber Gasket	EPDM
8	Lever Frame	Steel Zinc Plated
9	O-Ring	EPDM
10	Bonnet	Brass CW617N
11	Stem	Brass CW617N
12	Rubber Gasket	EPDM
13	Nut	Brass CW617N

### Technical Data

Max Pressure	10 Bar
Max Temperature	0°C to +110°C

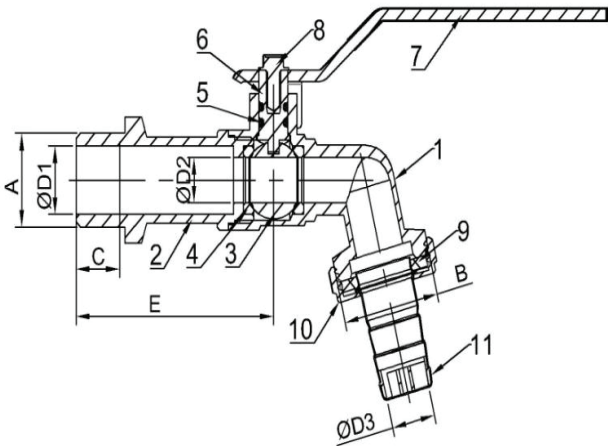
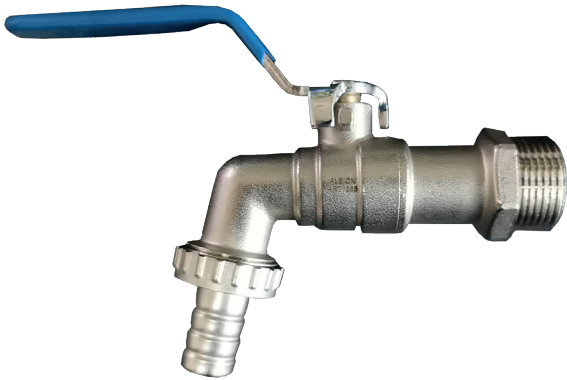
Dimensions in mm

This data sheet is designed as a guide and should not be regarded as wholly accurate in every detail. We reserve the right to amend the specification of any product without notice.

## Bibcock Tap with Hose Union

### Features

- Screwed BSP Taper (BS21) or NPT (ANSI B1.20.1)



DN	1/2" x 3/4"	3/4" x 1"
A	G1/2"	G3/4"
B	G3/4"	G1"
C	12	12
ØD1	15	20
ØD2	10	12
ØD3	11.8	15.8
E	54.5	56.5
Kgs	0.19	0.25

N.	Part Name	Materials
1	Body	Brass CW617N Nickel Plated
2	Bonnet	Brass CW617N Nickel Plated
3	Ball	Brass CW617N Chrome Plated
4	Seat	PTFE
5	O-Ring	EPDM 70° SH
6	Stem	Brass Hpb59-3
7	Handle	Steel Q235
8	Screw	Steel Q235 Nickel Plated
9	Rubber Gasket	EPDM 70° SH
10	Cap	Brass CW617N Nickel Plated
11	Outlet	Stainless Steel 304 Nickel Plated

### Technical Data

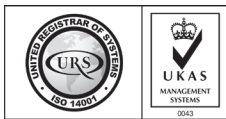
Max Pressure 16 Bar  
 Max Temperature 0°C to +110°C

Dimensions in mm

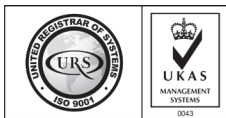
This data sheet is designed as a guide and should not be regarded as wholly accurate in every detail. We reserve the right to amend the specification of any product without notice.



# AVION



URS is a member of Registrar of Standards (Holdings) Ltd.  
Certificate No. 1437B



URS is a member of Registrar of Standards (Holdings) Ltd.  
Certificate No. 1437A

Distributor