

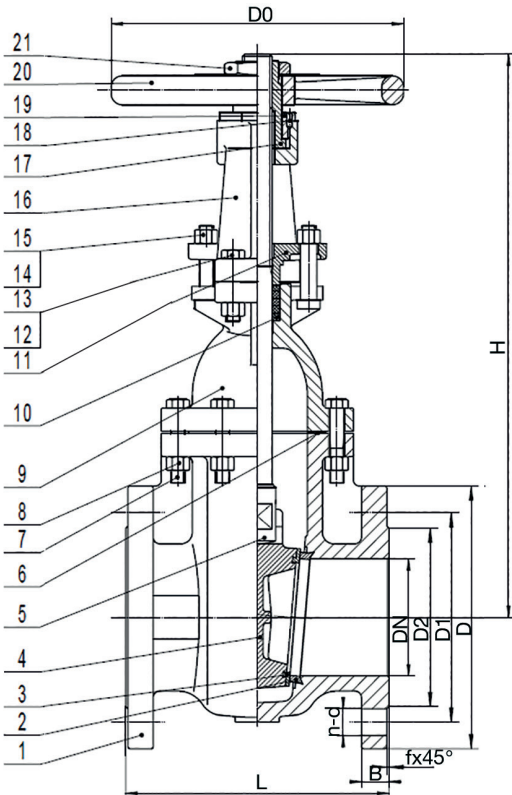
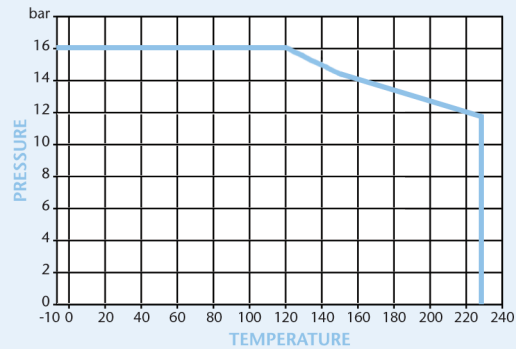
PN16 Cast Iron Rising Stem Gate Valve

Features

- Flange Mounting PN16 Only
- Flange conforms to BS EN1092 PN16
- Conforms to BS5150 (BS EN558-1 series 3)
- OSY rising stem



Pressure/Temperature



	2"	2½"	3"	4"	5"	6"	8"	10"	12"	14"	16"	18"	20"	24"
L	178	190	203	229	254	267	292	330	356	381	406	432	457	508
D	165	185	200	220	250	285	340	405	460	520	580	640	715	840
D1	125	145	160	180	210	240	295	355	410	470	525	585	650	770
D2	99	118	132	156	184	211	266	319	370	429	480	548	609	720
B	20	20	22	24	26	26	30	32	32	36	38	40	42	48
n-d	4-19	4-19	8-19	8-19	8-19	8-23	12-23	12-28	12-28	16-28	16-31	20-31	20-34	20-37
D0	178	178	200	254	300	300	348	400	457	560	560	610	610	765
f	3	3	3	3	3	3	3	3	4	4	4	4	4	5
H	311	347	384	490	541	656	778	933	1102	1259	1395	1560	1708	1990
Kgs	17.8	23.3	28.2	45.8	69	86.2	125	206	278	421	596	771	896	1300

N.	Part Name	Materials
1	Body	Cast Iron - BS EN1561 EN-GJL-250
2	Seat Ring	Cast Bronze - ASTM B62
3	Seat Ring	Cast Bronze - ASTM B62
4	Wedge	Cast Iron - BS EN1561 EN-GJL-250
5	Stem	Stainless Steel - BS970 420S37
6	Gasket	Graphite
7	Bolt	Steel - BS970 43A
8	Nut	Steel - BS970 43A
9	Bonnet	Cast Iron - BS EN1561 EN-GJL-250
10	Packing	Graphite
11	Gland Follower	Ductile Iron - BS EN1563 EN-GJS-450-10
12	Bolt	Steel - BS970 43A
13	Nut	Steel - BS970 43A
14	Gland Follower Bolt	Steel - BS970 43A
15	Nut	Steel - BS970 43A
16	Yoke	Cast Iron - BS EN1561 EN-GJL-250
17	Yoke Bushing	Cast Brass - BS1400 PCB1
18	Screw	Steel - BS970 43A
19	Yoke Bushing Nut	Cast Iron - BS EN1561 EN-GJL-250
20	Handwheel	Cast Iron - BS EN1561 EN-GJL-250
21	Handwheel Nut	Steel - BS970 43A

Technical Data

Max Pressure	16 Bar
Working Temperature	-10°C to +230°C

Dimensions in mm

This data sheet is designed as a guide and should not be regarded as wholly accurate in every detail. We reserve the right to amend the specification of any product without notice.