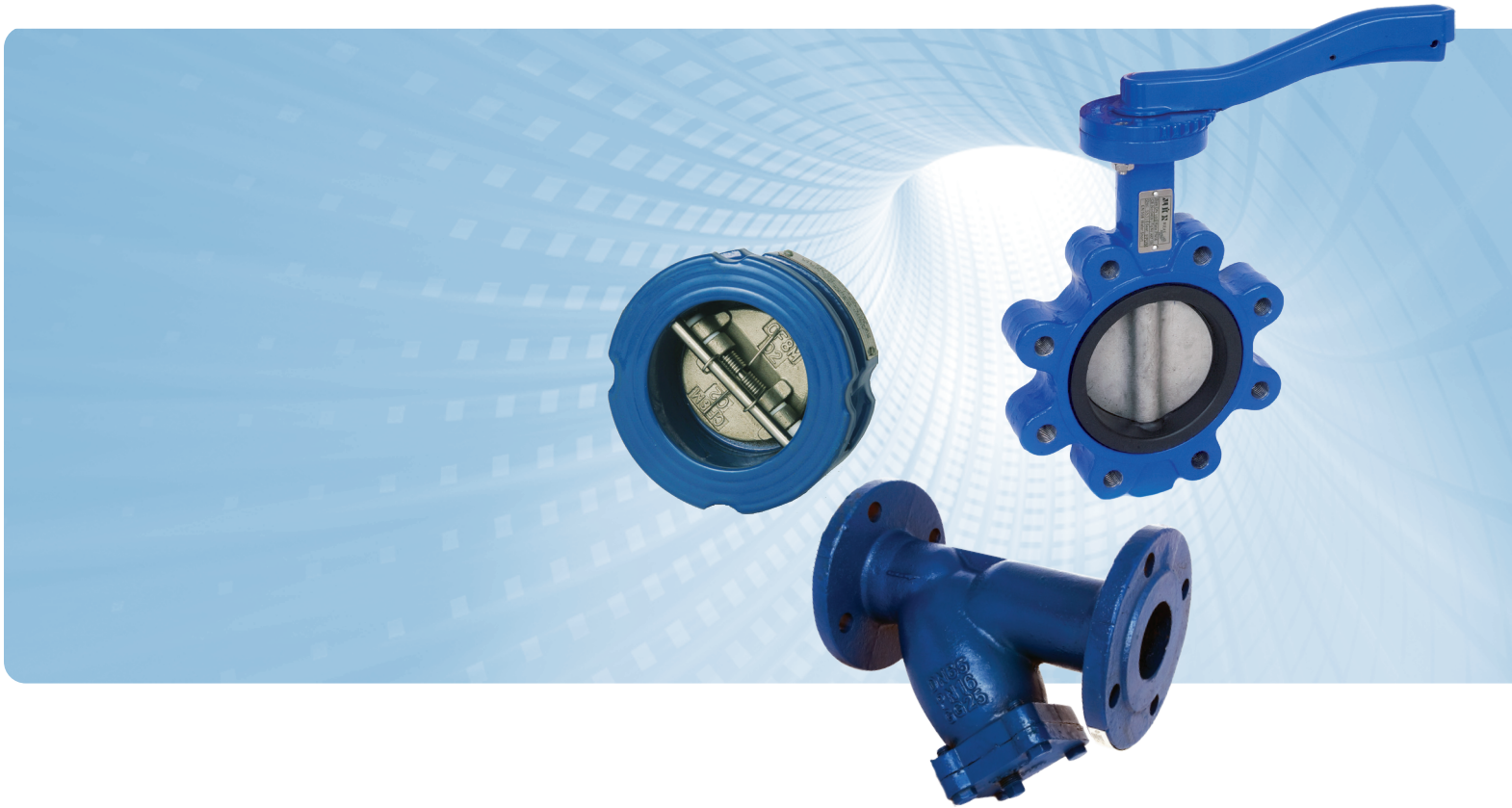
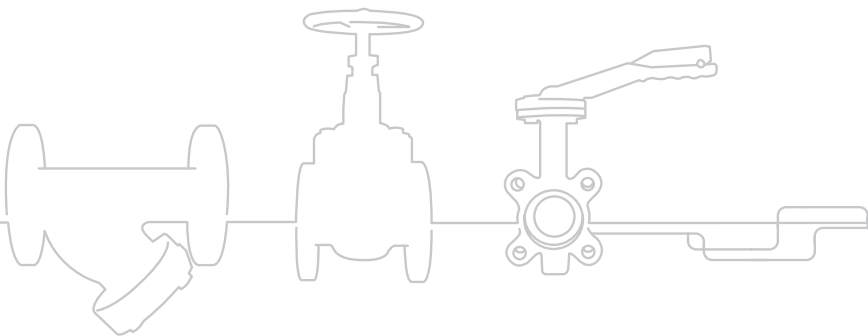


Cast & Ductile Iron Valves



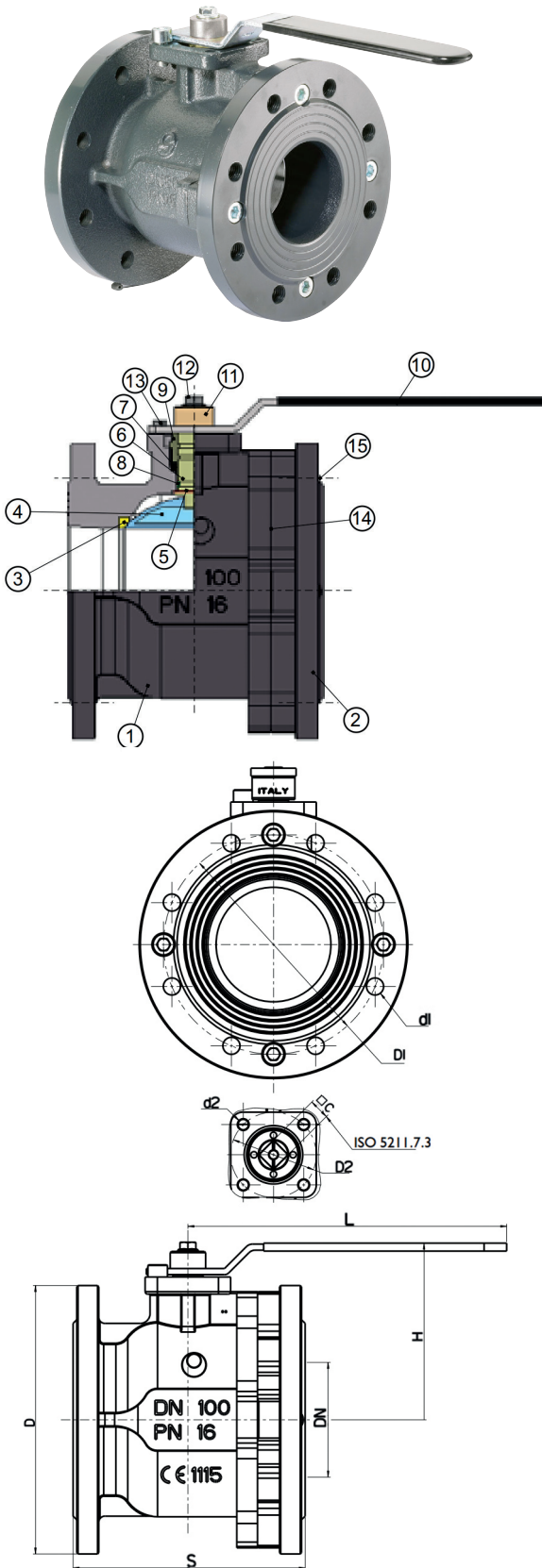
Product Information



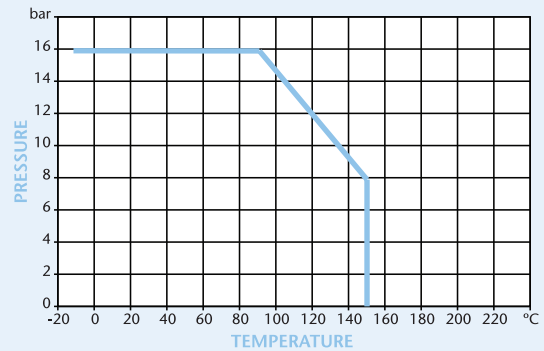
Cast Iron Ball Valve Flanged Ends

Features

- Flange Mounting PN16 Only
- ISO 5211 Direct Mount (Not 200mm)
- Art 77 Plated Brass
- BS EN 558-1 Series 14



Pressure/Temperature



| DN | 20 | 25 | 32 | 40 | 50 | 65 | 80 | 100 | 125 | 150 | 200 |
|--------|-------|-------|-------|-------|-------|-------|-------|-------|-------|--------|-------|
| Ø | 20 | 25 | 32 | 40 | 50 | 61 | 74 | 95 | 120 | 145 | 200 |
| S | 120 | 125 | 130 | 140 | 150 | 170 | 180 | 190 | 200 | 210 | 400 |
| H | 73 | 77 | 82 | 92 | 99 | 121 | 130 | 144 | 185 | 204 | 325 |
| L | 200 | 200 | 200 | 240 | 240 | 260 | 260 | 260 | 450 | 450 | 700 |
| D | 105 | 115 | 140 | 150 | 165 | 185 | 200 | 220 | 250 | 285 | 340 |
| a | 75 | 85 | 100 | 110 | 125 | 145 | 160 | 180 | 210 | 240 | 295 |
| ISO | F04 | F04 | F04 | F05 | F05 | F07 | F07 | F07 | F10 | F10 | N/A |
| ØF | 42 | 42 | 42 | 50 | 50 | 70 | 70 | 70 | 102 | 102 | N/A |
| □C | 9 | 9 | 9 | 14 | 14 | 17 | 17 | 17 | 22 | 22 | N/A |
| N-Mb | 4xM12 | 4xM12 | 4xM16 | 4xM16 | 4xM16 | 4xM16 | 8xM16 | 8xM16 | 8xM16 | 12xM20 | 12x22 |
| Torque | 20 | 25 | 31,25 | 37,5 | 50 | 62,5 | 100 | 150 | 175 | 187,5 | N/A |
| Kgs | 3.0 | 3.8 | 5.4 | 6.0 | 7.5 | 12.0 | 14.5 | 18.2 | 32.0 | 39.5 | 94.0 |

| N. | Part Name | Materials |
|----|-------------|-------------------|
| 1 | Body | Cast Iron GG25 |
| 2 | Flange | Cast Iron GG25 |
| 3 | Seat | PTFE |
| 4 | Ball | CP Brass |
| 5 | Seal | PTFE |
| 6 | Stem | Steel |
| 7 | O-Ring | HNBR |
| 8 | Stem Seat | PTFE |
| 9 | Packing Nut | Brass |
| 10 | Handle | Steel PVC Coated |
| 11 | Cap | Brass |
| 12 | Screw | Steel Zinc Plated |
| 13 | Screw | Steel Zinc Plated |
| 14 | O-Ring | HNBR |
| 15 | Screw | Steel Zinc Plated |

Technical Data

Pressure 16 Bar

Working Temperature -10°C to +150°C

Dimensions in mm

This data sheet is designed as a guide and should not be regarded as wholly accurate in every detail. We reserve the right to amend the specification of any product without notice.

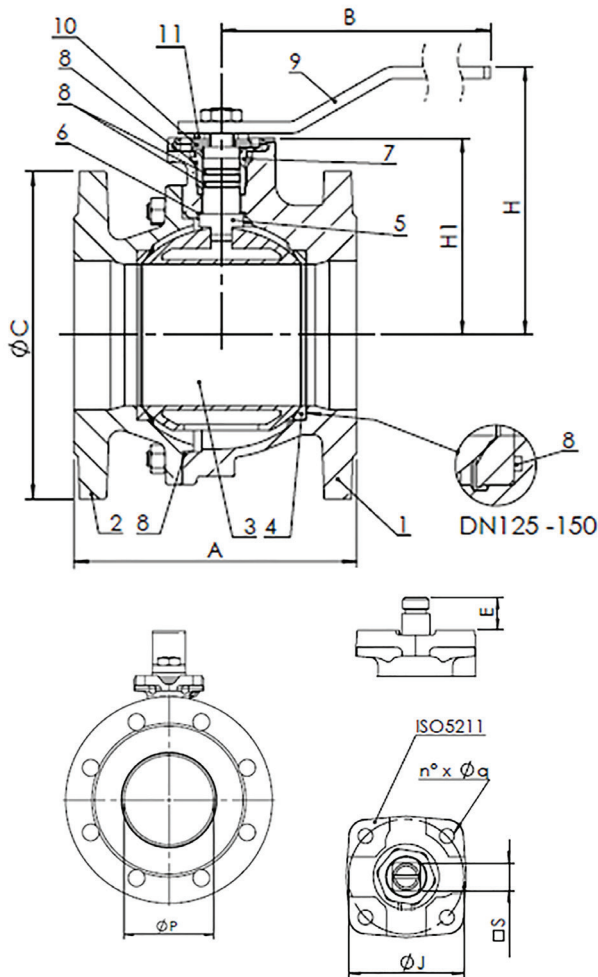
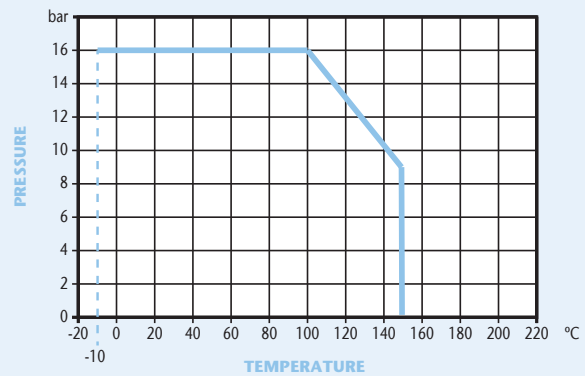


Ductile Iron Ball Valve Flanged Ends

Features

- Flange Mounting PN16 only
- ISO 5211 Direct Mount
- Inside and outside epoxy coating
- Optional lockable Lever
- Blow Out Proof Stem
- Chrome Plated Brass Ball

Pressure / Temperature



| DN | 15 | 20 | 25 | 32 | 40 | 50 | 65 | 80 | 100 | 125 | 150 | 200 |
|----------|-------|-------|-------|-------|-------|-------|-------|-------|-------|--------|--------|--------|
| P | 15 | 20 | 25 | 32 | 40 | 50 | 63 | 76 | 95 | 120 | 145 | 190 |
| A | 115 | 120 | 125 | 130 | 140 | 150 | 170 | 180 | 190 | 200 | 210 | 400 |
| H | 84 | 84 | 96 | 101 | 125 | 135 | 143 | 165 | 180 | 225 | 243 | 320 |
| H1 | 50.5 | 52 | 59 | 64 | 78.5 | 87 | 95 | 118 | 132.5 | 165 | 182.5 | 230 |
| B | 160 | 160 | 170 | 170 | 230 | 230 | 230 | 280 | 360 | 450 | 560 | 1000 |
| C | 95 | 105 | 115 | 140 | 150 | 165 | 185 | 200 | 220 | 250 | 285 | 340 |
| ISO 5211 | F04 | F04 | F04 | F04 | F05 | F05 | F05 | F07 | F07 | F10 | F10 | F12 |
| J | 42 | 42 | 42 | 42 | 50 | 50 | 50 | 70 | 70 | 102 | 102 | 125 |
| N° x Øq | 4 x 6 | 4 x 6 | 4 x 6 | 4 x 6 | 4 x 7 | 4 x 7 | 4 x 7 | 4 x 9 | 4 x 9 | 4 x 11 | 4 x 11 | 4 x 13 |
| E | 11.5 | 11.5 | 14.5 | 14.5 | 17.5 | 17.5 | 17.5 | 20 | 20 | 24.5 | 24.5 | 27 |
| S | □9 | □9 | □11 | □11 | □14 | □14 | □14 | □17 | □17 | □22 | □22 | □27 |
| Torque | 15 | 15 | 18 | 18 | 18 | 20 | 40 | 70 | 100 | 180 | 250 | 600 |
| Kgs | 2.6 | 3.3 | 4.2 | 5.8 | 7.5 | 9 | 10.5 | 15.5 | 18.5 | 28 | 38.5 | 93 |

*Torque - Raw torque with no safety added

| N. | Part Name | Material |
|----|----------------|-------------------------|
| 1 | Body | Ductile Iron |
| 2 | Flange | Ductile Iron |
| 3 | Ball | Brass Chrome Plated |
| 4 | Ball seat | PTFE |
| 5 | Stem | Brass |
| 6 | Sliding washer | PTFE |
| 7 | Ring | Brass |
| 8 | O-Ring | Viton |
| 9 | Lever | Carbon Steel |
| 10 | Stop plate | Carbon Steel Galvanised |
| 11 | Spring washer | Carbon Steel Galvanised |

Drawing represents 15-150mm. For 200mm drawing contact the sales office.

Technical Data

| | |
|---------------------|-----------------|
| Maximum Pressure | 16 Bar |
| Working Temperature | -10°C to +150°C |

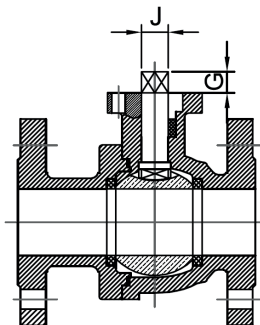
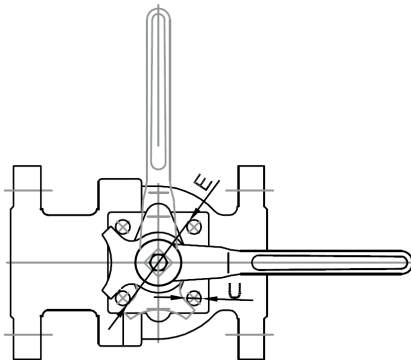
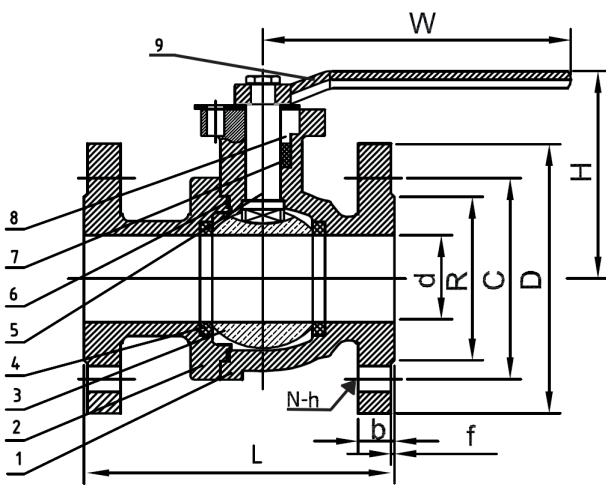
Dimensions in mm

This data sheet is designed as a guide and should not be regarded as wholly accurate in every detail. We reserve the right to amend the specification of any product without notice.

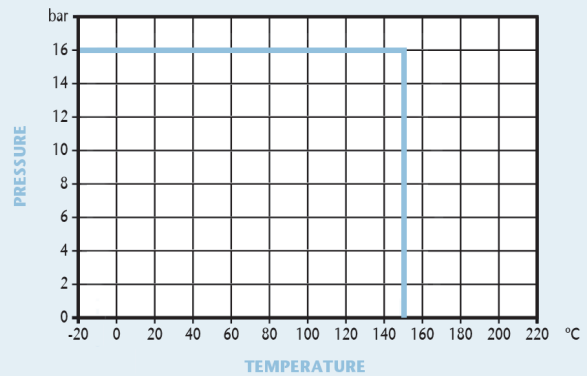
Ductile Iron Ball Valve Flanged Ends

Features

- Flange Mounting PN16 only
- ISO 5211 Direct Mount
- Inside and outside epoxy coating
- Blow Out Proof Stem
- Stainless Steel Ball



Pressure / Temperature



| DN | 25 | 32 | 40 | 50 | 65 | 80 | 100 | 125 | 150 | 200 |
|--------------|-------|-------|-------|-------|-------|-------|-------|-------|-------|-------|
| d | 25 | 32 | 40 | 50 | 65 | 80 | 100 | 125 | 150 | 200 |
| L | 125 | 130 | 140 | 150 | 170 | 180 | 190 | 200 | 210 | 400 |
| D | 115 | 140 | 150 | 165 | 185 | 200 | 220 | 250 | 285 | 340 |
| C | 85 | 100 | 110 | 125 | 145 | 160 | 180 | 210 | 240 | 295 |
| R | 65 | 76 | 84 | 99 | 118 | 132 | 156 | 184 | 211 | 266 |
| b | 16 | 18 | 18 | 18 | 19 | 19 | 19 | 19 | 19 | 22 |
| f | 2 | 2 | 2 | 2 | 2 | 2 | 2 | 2 | 2 | 2 |
| N | 4 | 4 | 4 | 4 | 4 | 8 | 8 | 8 | 8 | 12 |
| h | 14 | 19 | 19 | 19 | 19 | 19 | 19 | 19 | 23 | 23 |
| E | 50 | 70 | 70 | 70 | 70 | 70 | 102 | 102 | 125 | 140 |
| U | 8 | 10 | 10 | 10 | 10 | 10 | 12 | 12 | 18 | 18 |
| W | 150 | 190 | 190 | 225 | 270 | 300 | 320 | 650 | 760 | 760 |
| H | 110 | 128 | 135 | 145 | 170 | 190 | 220 | 270 | 300 | 330 |
| J | 11*11 | 14*14 | 14*14 | 14*14 | 14*14 | 17*17 | 22*22 | 22*22 | 27*27 | 27*27 |
| G | 18 | 18 | 20 | 20 | 22 | 22 | 22 | 35 | 35 | 45 |
| Torque (N.M) | 15 | 20 | 20 | 25 | 50 | 75 | 120 | 180 | 300 | 600 |
| Kgs | 4.0 | 6.7 | 7.3 | 9.5 | 13.5 | 15.2 | 20.6 | 29.4 | 36.5 | 84.8 |

| No. | Part Name | Material |
|-----|--------------|---------------------|
| 1 | Body | Ductile Iron |
| 2 | Bonnet | Ductile Iron |
| 3 | Ball | Stainless Steel 304 |
| 4 | Seat | PTFE |
| 5 | Stem | Stainless Steel 410 |
| 6 | Gasket | PTFE |
| 7 | Stem Packing | PTFE |
| 8 | Gland Nut | Carbon Steel |
| 9 | Handle | Ductile Iron |

Technical Data

Maximum Pressure 16 Bar
Working Temperature -20°C to +150°C

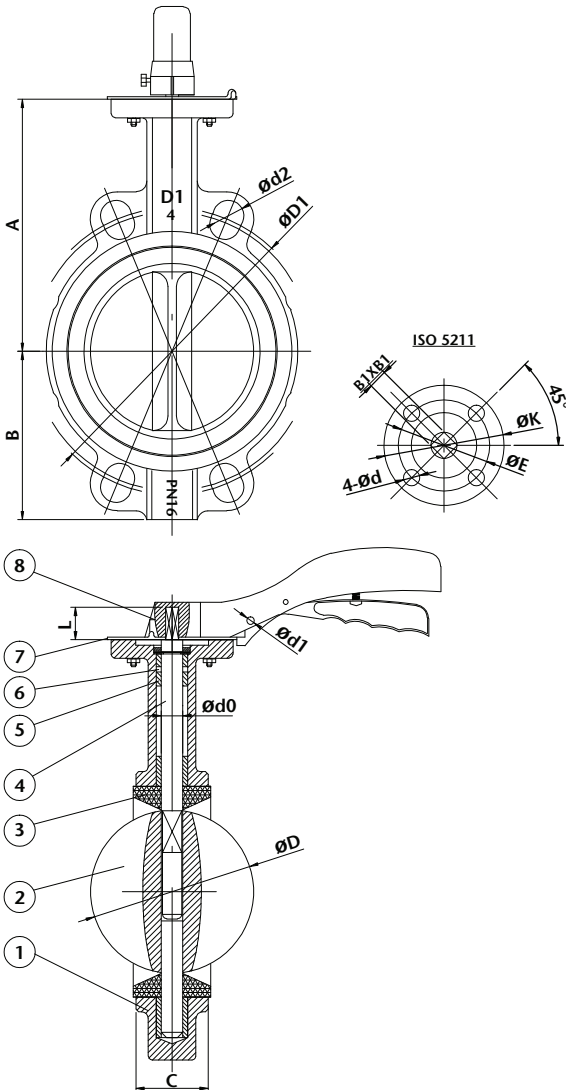
Dimensions in mm

This data sheet is designed as a guide and should not be regarded as wholly accurate in every detail. We reserve the right to amend the specification of any product without notice.

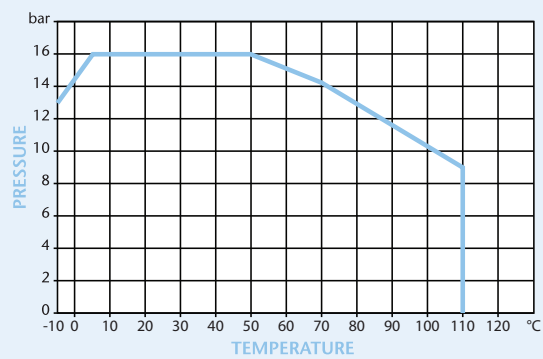
Ductile Iron Butterfly Valve Wafer Type

Features

- Universal Flange Mounting PN16 PN10 ASA150
- BS5155 (BS EN593)
- Lockable Handle
- Epoxy Coat Finish
- ISO 5211 Direct Mount



Pressure/Temperature



| DN | 2" | 2 1/2" | 3" | 4" | 5" | 6" | 8" | 10" | 12" |
|----------|------|--------|------|-------|-------|-------|-------|-------|-------|
| A | 140 | 150 | 158 | 176 | 190 | 211 | 235 | 265 | 305 |
| B | 80 | 89 | 95 | 114 | 127 | 139 | 175 | 203 | 242 |
| C | 42 | 44.7 | 45.2 | 52 | 54.4 | 55.8 | 60.6 | 65.6 | 76.9 |
| D | 52.9 | 64.5 | 78.8 | 104 | 123.3 | 155.1 | 202.5 | 250.5 | 301.5 |
| D1 | 125 | 145 | 160 | 180 | 210 | 240 | 295 | 355 | 410 |
| L | 26 | 26 | 26 | 30 | 30 | 30 | 36 | 36 | 36 |
| d0 | 12.6 | 12.6 | 12.6 | 15.77 | 18.92 | 18.92 | 22.1 | 28.45 | 31.6 |
| d1 | 6 | 6 | 6 | 6 | 6 | 6 | 6 | 6 | 6 |
| d2 | 4x19 | 4x19 | 4x19 | 4x19 | 4x19 | 4x23 | 4x23 | 4x27 | 4x27 |
| ISO 5211 | F05 | F05 | F05 | F07 | F07 | F07 | F10 | F10 | F10 |
| K | 65 | 65 | 65 | 90 | 90 | 90 | 125 | 125 | 125 |
| d | 4x7 | 4x7 | 4x7 | 4x10 | 4x10 | 4x10 | 4x12 | 4x12 | 4x12 |
| B1 | 9 | 9 | 9 | 11 | 14 | 14 | 17 | 22 | 22 |
| Torque | 15.1 | 17.2 | 23.1 | 39.8 | 61.9 | 102 | 192 | 323 | 490 |
| Kgs | 2.50 | 2.90 | 4.00 | 4.95 | 7.05 | 8.30 | 13.70 | 20.25 | 29.60 |

| N. | Part Name | Materials |
|----|-----------|---------------------|
| 1 | Body | Ductile Iron GGG40 |
| 2 | Disc | Stainless Steel 316 |
| 3 | Seat | EPDM |
| 4 | Stem | Stainless Steel 410 |
| 5 | Bush | PTFE |
| 6 | O-Ring | EPDM |
| 7 | Indicator | Carbon Steel |
| 8 | Lever | Aluminium |

We strongly advise gearbox on all 8", 10" and 12" valves.

Technical Data

Pressure 16 Bar

Working Temperature -10°C to +110°C

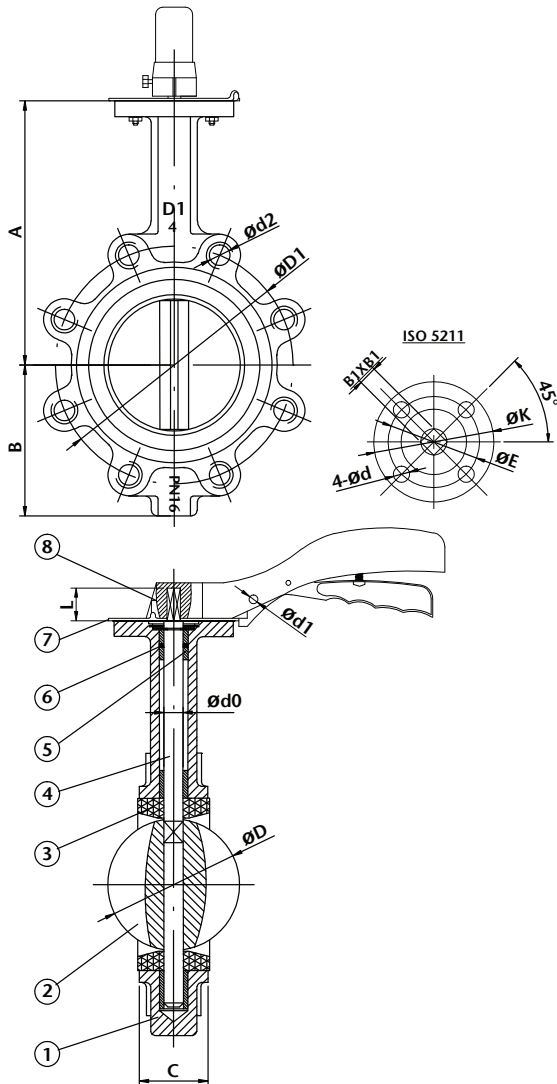
Dimensions in mm

This data sheet is designed as a guide and should not be regarded as wholly accurate in every detail. We reserve the right to amend the specification of any product without notice.

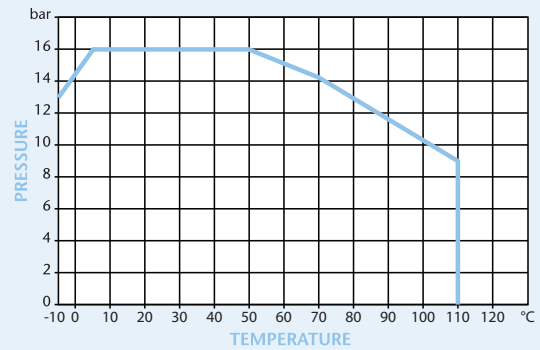
Ductile Iron Butterfly Valve Lugged & Tapped Type

Features

- Flange Mounting PN16 Only
- BS5155 (BS EN593)
- Lockable Handle
- Epoxy Coat Finish
- ISO 5211 Direct Mount



Pressure/Temperature



| DN | 2" | 2 1/2" | 3" | 4" | 5" | 6" | 8" | 10" | 12" |
|----------|------|--------|------|-------|-------|-------|-------|-------|-------|
| A | 140 | 150 | 158 | 176 | 190 | 211 | 235 | 265 | 305 |
| B | 80 | 89 | 95 | 114 | 127 | 139 | 175 | 203 | 242 |
| C | 42 | 44.7 | 45.2 | 52 | 54.4 | 55.8 | 60.6 | 65.6 | 76.9 |
| D | 52.9 | 64.5 | 78.8 | 104 | 123.3 | 155.1 | 202.5 | 250.5 | 301.5 |
| D1 | 125 | 145 | 160 | 180 | 210 | 240 | 295 | 355 | 410 |
| L | 26 | 26 | 26 | 30 | 30 | 30 | 36 | 36 | 36 |
| d0 | 12.6 | 12.6 | 12.6 | 15.77 | 18.92 | 18.92 | 22.1 | 28.45 | 31.6 |
| d1 | 6 | 6 | 6 | 6 | 6 | 6 | 6 | 6 | 6 |
| d2 | 4x16 | 4x16 | 8x16 | 8x16 | 8x16 | 8x20 | 12x20 | 12x24 | 12x24 |
| ISO 5211 | F05 | F05 | F05 | F07 | F07 | F07 | F10 | F10 | F10 |
| K | 65 | 65 | 65 | 90 | 90 | 90 | 125 | 125 | 125 |
| d | 4x7 | 4x7 | 4x7 | 4x10 | 4x10 | 4x10 | 4x12 | 4x12 | 4x12 |
| B1 | 9 | 9 | 9 | 11 | 14 | 14 | 17 | 22 | 22 |
| Torque | 15.1 | 17.2 | 23.1 | 39.8 | 61.9 | 102 | 192 | 323 | 490 |
| Kgs | 3.05 | 3.70 | 4.75 | 6.75 | 8.50 | 10.55 | 17.85 | 31.00 | 42.40 |

| N. | Part Name | Materials |
|----|-----------|---------------------|
| 1 | Body | Ductile Iron GGG40 |
| 2 | Disc | Stainless Steel 316 |
| 3 | Seat | EPDM |
| 4 | Stem | Stainless Steel 410 |
| 5 | Bush | PTFE |
| 6 | O-Ring | EPDM |
| 7 | Indicator | Carbon Steel |
| 8 | Lever | Aluminium |

We strongly advise gearbox on all 8", 10" and 12" valves.

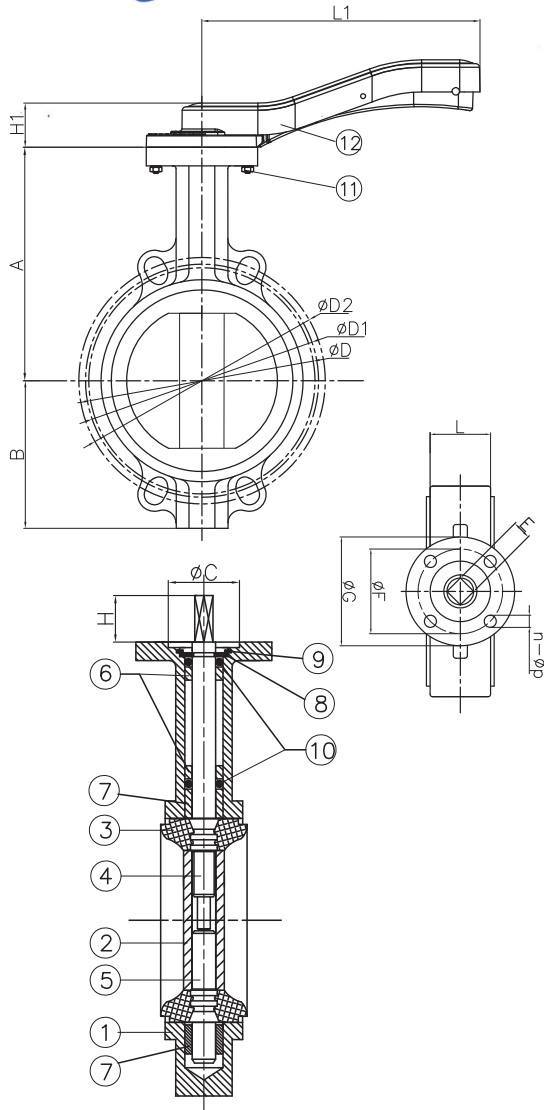
Technical Data

Pressure 16 Bar

Working Temperature -10°C to +110°C

Dimensions in mm

This data sheet is designed as a guide and should not be regarded as wholly accurate in every detail. We reserve the right to amend the specification of any product without notice.



We strongly advise gearbox on all 8", 10" and 12" valves.

Technical Data

Maximum Pressure 16 Bar
Working Temperature -20°C to +110°C

Dimensions in mm

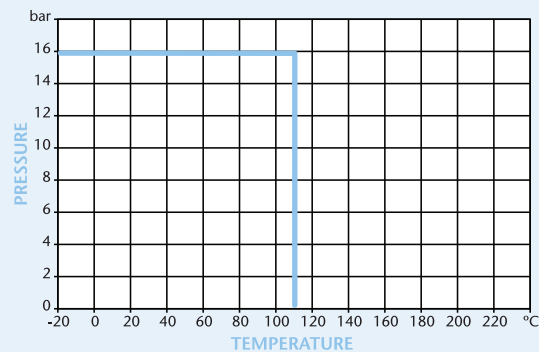
This data sheet is designed as a guide and should not be regarded as wholly accurate in every detail. We reserve the right to amend the specification of any product without notice.

Ductile Iron Butterfly Valve Wafer Type

Features

- Universal Flange Mounting PN10 PN16 ASA150
- BS5155 (BS EN 593)
- ISO 5211 Direct Mount
- Lockable Handle
- Epoxy Coat Finish

Pressure/Temperature



| DN | 50 | 65 | 80 | 100 | 125 | 150 | 200 | 250 | 300 |
|--------|------|------|------|------|------|------|-------|-------|-------|
| A | 142 | 154 | 161 | 179 | 193 | 204 | 250 | 282 | 326 |
| B | 60 | 78 | 87 | 105 | 120 | 138 | 174 | 209 | 242 |
| C | 56 | 56 | 56 | 56 | 56 | 56 | 71 | 71 | 71 |
| D | 125 | 145 | 160 | 180 | 210 | 240 | 295 | 355 | 410 |
| E | 11 | 11 | 11 | 11 | 14 | 14 | 17 | 22 | 22 |
| F | 70 | 70 | 70 | 70 | 70 | 70 | 102 | 102 | 102 |
| G | 90 | 90 | 90 | 90 | 90 | 90 | 125 | 125 | 125 |
| H | 19 | 19 | 19 | 19 | 19 | 19 | 25 | 30 | 30 |
| H1 | 31 | 31 | 31 | 36 | 36 | 36 | 42 | 42 | 42 |
| L | 41.4 | 44 | 44.6 | 51.4 | 53.8 | 55.1 | 59.5 | 65 | 75.9 |
| L1 | 176 | 176 | 176 | 225 | 225 | 225 | 300 | 359 | 359 |
| Holes | 4x19 | 4x19 | 8x19 | 8x19 | 8x19 | 8x23 | 12x23 | 12x28 | 12x28 |
| n-Øp | 4x10 | 4x10 | 4x10 | 4x10 | 4x10 | 4x10 | 4x12 | 4x12 | 4x12 |
| Torque | 19 | 21 | 28 | 43 | 60 | 91 | 194 | 295 | 412 |
| Kgs | 2.35 | 2.75 | 3.05 | 4.7 | 5.5 | 6.75 | 11.6 | 20.4 | 29.1 |

| N. | Part Name | Materials |
|----|-------------|----------------------------------|
| 1 | Body | Ductile Iron GGG40 |
| 2 | Disc | Ductile Iron / Nickel Plated |
| 3 | Seat | EPDM |
| 4 | Upper Shaft | Stainless Steel 410 |
| 5 | Lower Shaft | Stainless Steel 411 |
| 6 | Short Bush | PTFE |
| 7 | Long Bush | PTFE |
| 8 | Split Pin | Spring Steel |
| 9 | Circlip | Spring Steel |
| 10 | O-Ring | EPDM |
| 11 | Bolt | Carbon Steel |
| 12 | Lever | DN 50-150 Aluminium DN200-300 DI |

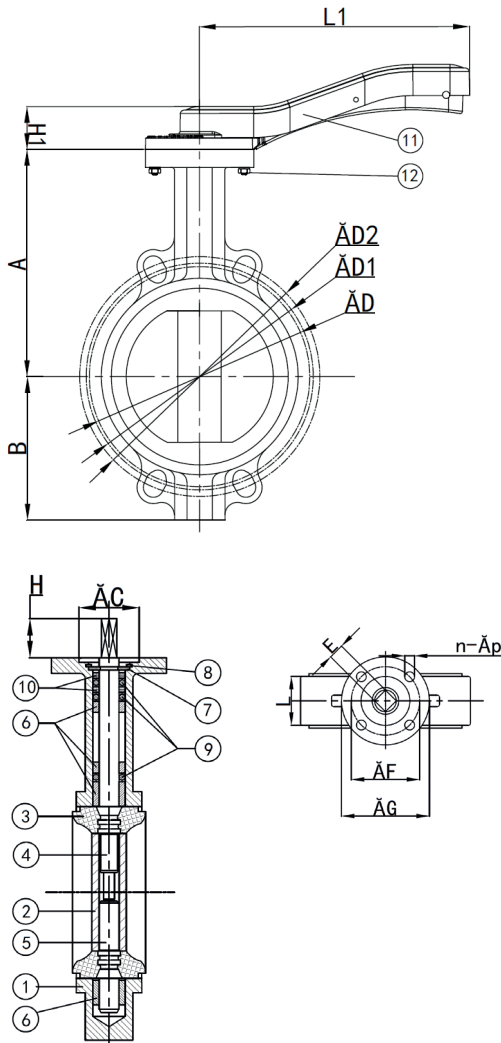
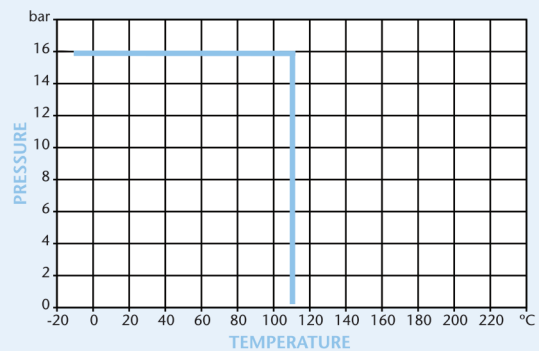


Ductile Iron Butterfly Valve Wafer Type

Features

- Universal Flange Mounting PN10 PN16 ASA150
- BS5155 (BS EN 593) / ANSI 150
- ISO 5211 Direct Mount
- Lockable Handle
- Epoxy Coat Finish
- WRAS Approved
- MSS-SP-67

Pressure/Temperature



We strongly advise gearbox on all 8", 10" and 12" valves.

Technical Data

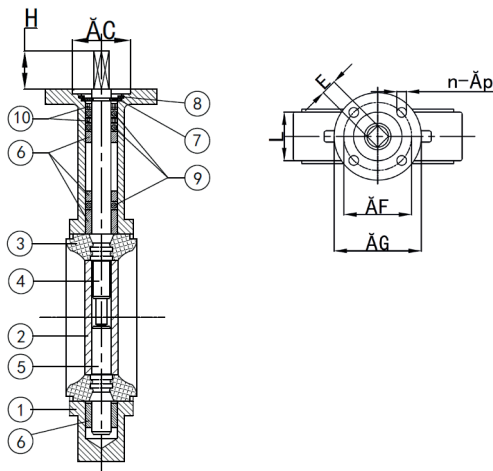
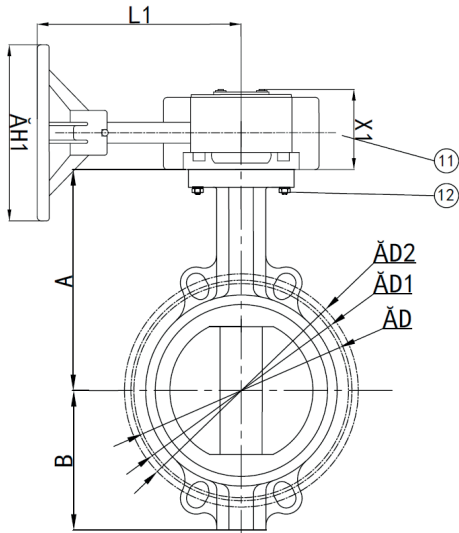
Maximum Pressure 16 Bar
Working Temperature -10°C to +110°C

| | 50 | 65 | 80 | 100 | 125 | 150 | 200 | 250 | 300 |
|-------------|--------|-------|-------|-------|-------|-------|--------|--------|-------|
| A | 142 | 154.5 | 161 | 180 | 193 | 205 | 250 | 282 | 326 |
| B | 60 | 70 | 85 | 104 | 120 | 135 | 171 | 205 | 248 |
| C | 56 | 56 | 56 | 56 | 56 | 56 | 71 | 71 | 71 |
| D | 125 | 145 | 160 | 180 | 210 | 240 | 295 | 350 | 400 |
| D1 | 125 | 145 | 160 | 180 | 210 | 240 | 295 | 355 | 410 |
| D2 | 120.65 | 139.7 | 152.4 | 190.5 | 215.9 | 241.3 | 298.45 | 361.95 | 431.8 |
| E | 11 | 11 | 11 | 11 | 14 | 14 | 17 | 22 | 22 |
| F | 70 | 70 | 70 | 70 | 70 | 70 | 102 | 102 | 102 |
| G | 90 | 90 | 90 | 90 | 90 | 90 | 125 | 125 | 125 |
| H | 19 | 19 | 19 | 19 | 19 | 19 | 25 | 30 | 30 |
| H1 | 31 | 31 | 31 | 36 | 36 | 36 | 42 | 42 | 42 |
| L | 41.4 | 44 | 44.6 | 51.4 | 53.8 | 55.1 | 59.5 | 65 | 75.9 |
| L1 | 176 | 176 | 176 | 225 | 225 | 225 | 300 | 359 | 359 |
| Holes PN10 | 4-19 | 4-19 | 8-19 | 8-19 | 8-19 | 8-23 | 8-23 | 12-23 | 12-23 |
| Holes PN16 | 4x19 | 4x19 | 8x19 | 8x19 | 8x19 | 8x23 | 12x23 | 12x28 | 12x28 |
| Holes CLASS | 4- | 4- | 4- | 8- | 8- | 8- | 8- | 12- | 12- |
| 150 | 19.05 | 19.05 | 19.05 | 19.05 | 22.35 | 22.35 | 22.35 | 25.4 | 25.4 |
| n-Øp | 4x10 | 4x10 | 4x10 | 4x10 | 4x10 | 4x10 | 4x12 | 4x12 | 4x12 |
| Torque | 19 | 21 | 28 | 43 | 60 | 91 | 194 | 295 | 412 |
| Kgs | 2.35 | 2.75 | 3.05 | 4.7 | 5.5 | 6.75 | 11.6 | 20.4 | 29.1 |

| N. | Part Name | Materials |
|----|-------------|---------------------------------|
| 1 | Body | Ductile Iron GGG40 |
| 2 | Disc | Stainless Steel 316 |
| 3 | Seat | WRAS EPDM |
| 4 | Upper Shaft | Stainless Steel 420 |
| 5 | Lower Shaft | Stainless Steel 420 |
| 6 | Bushing | PTFE |
| 7 | Split Pin | Spring Steel 65Mn |
| 8 | Circlip | Spring Steel 65Mn |
| 9 | O-Ring | WRAS EPDM |
| 10 | Ring | Nylon 6 PA6 |
| 11 | Lever | DN50-150 Aluminium DN200-300 DI |
| 12 | Bolt | Stainless Steel 304 |

Dimensions in mm

This data sheet is designed as a guide and should not be regarded as wholly accurate in every detail. We reserve the right to amend the specification of any product without notice.

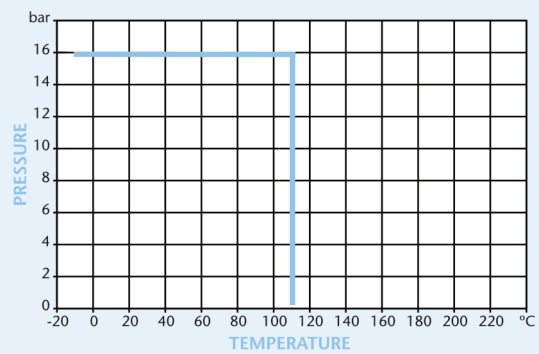


Ductile Iron Butterfly Valve Wafer Type with gearbox

Features

- Universal Flange Mounting PN10 PN16 ASA150
- BS5155 (BS EN 593) / ANSI 150
- ISO 5211 Direct Mount
- Epoxy Coat Finish
- WRAS Approved
- MSS-SP-67

Pressure/Temperature



| | 50 | 65 | 80 | 100 | 125 | 150 | 200 | 250 | 300 |
|------------|--------|-------|-------|-------|-------|-------|--------|--------|-------|
| A | 142 | 154.5 | 161 | 180 | 193 | 205 | 250 | 282 | 326 |
| B | 60 | 70 | 85 | 104 | 120 | 135 | 171 | 205 | 248 |
| C | 56 | 56 | 56 | 56 | 56 | 56 | 71 | 71 | 71 |
| D | 125 | 145 | 160 | 180 | 210 | 240 | 295 | 350 | 400 |
| D1 | 125 | 145 | 160 | 180 | 210 | 240 | 295 | 355 | 410 |
| D2 | 120.65 | 139.7 | 152.4 | 190.5 | 215.9 | 241.3 | 298.45 | 361.95 | 431.8 |
| E | 11 | 11 | 11 | 11 | 14 | 14 | 17 | 22 | 22 |
| F | 70 | 70 | 70 | 70 | 70 | 70 | 102 | 102 | 102 |
| G | 90 | 90 | 90 | 90 | 90 | 90 | 125 | 125 | 125 |
| H | 19 | 19 | 19 | 19 | 19 | 19 | 25 | 30 | 30 |
| H1 | 134 | 134 | 134 | 134 | 134 | 134 | 215 | 215 | 215 |
| L | 41.4 | 44 | 44.6 | 51.4 | 53.8 | 55.1 | 59.5 | 65 | 75.9 |
| L1 | 145 | 145 | 145 | 145 | 145 | 145 | 216 | 216 | 216 |
| Holes PN10 | 4-19 | 4-19 | 8-19 | 8-19 | 8-19 | 8-23 | 8-23 | 12-23 | 12-23 |
| Holes PN16 | 4x19 | 4x19 | 8x19 | 8x19 | 8x19 | 8x23 | 12x23 | 12x28 | 12x28 |
| Holes | 4- | 4- | 4- | 8- | 8- | 8- | 8- | 12- | 12- |
| CLASS 150 | 19.05 | 19.05 | 19.05 | 19.05 | 22.35 | 22.35 | 22.35 | 25.4 | 25.4 |
| X1 | 62 | 62 | 62 | 62 | 62 | 62 | 71 | 71 | 71 |
| n-Øp | 4x10 | 4x10 | 4x10 | 4x10 | 4x10 | 4x10 | 4x12 | 4x12 | 4x12 |
| Kgs | 5.35 | 5.75 | 6.05 | 7.7 | 8.5 | 9.75 | 17.6 | 26.4 | 35.1 |

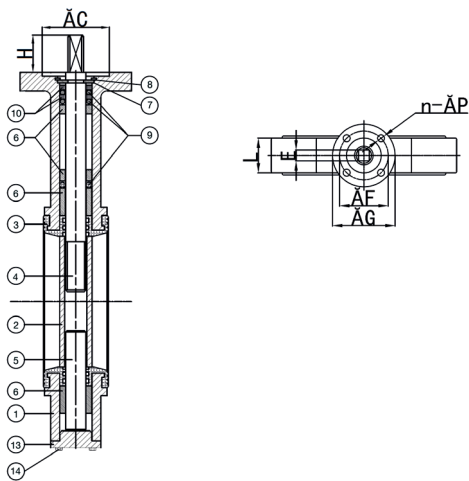
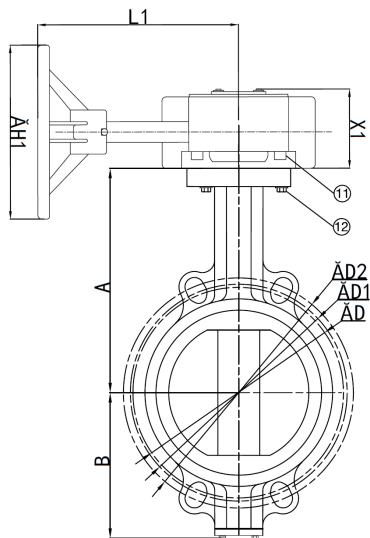
| N. | Part Name | Materials |
|----|-------------|---------------------|
| 1 | Body | Ductile Iron GGG40 |
| 2 | Disc | Stainless Steel 316 |
| 3 | Seat | WRAS EPDM |
| 4 | Upper Shaft | Stainless Steel 420 |
| 5 | Lower Shaft | Stainless Steel 420 |
| 6 | Bushing | PTFE |
| 7 | Split Pin | Spring Steel 65Mn |
| 8 | Circlip | Spring Steel 65Mn |
| 9 | O-Ring | WRAS EPDM |
| 10 | Ring | Nylon 6 PA6 |
| 11 | Gear Box | Aluminium AL102 |
| 12 | Bolt | Stainless Steel 304 |

Technical Data

Maximum Pressure 16 Bar
Working Temperature -10°C to +110°C

Dimensions in mm

This data sheet is designed as a guide and should not be regarded as wholly accurate in every detail. We reserve the right to amend the specification of any product without notice.



NOTE: DN350 without back cover and back cover bolts.

Technical Data

| | |
|---------------------|-----------------|
| Maximum Pressure | 16 Bar |
| Working Temperature | -10°C to +110°C |

Dimensions in mm

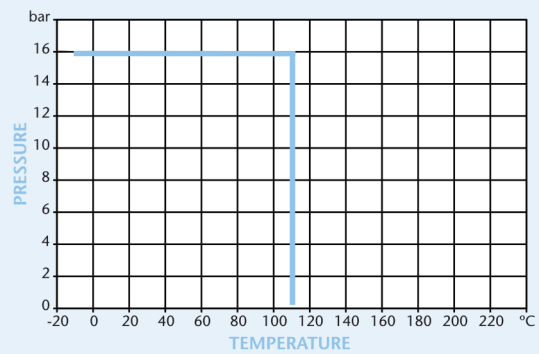
This data sheet is designed as a guide and should not be regarded as wholly accurate in every detail. We reserve the right to amend the specification of any product without notice.

Ductile Iron Butterfly Valve Wafer Type with gearbox

Features

- Universal Flange Mounting PN10 PN16 ASA150
- BS5155 (BS EN 593) / ANSI 150
- ISO 5211 Direct Mount
- Epoxy Coat Finish
- MSS-SP-67

Pressure/Temperature



| | 350 | 400 | 450 | 500 | 600 |
|-----------------|-----------|-----------|-----------|-----------|----------|
| A | 345 | 390 | 422 | 470 | 552 |
| B | 262 | 305 | 341 | 373 | 445 |
| C | 71 | 100.5 | 100.5 | 100.5 | 130.5 |
| D | 460 | 515 | 565 | 620 | 725 |
| D1 | 470 | 525 | 585 | 650 | 770 |
| D2 | 476.25 | 539.75 | 577.85 | 635 | 749.3 |
| E | 22 | 27 | 27 | 27 | 36 |
| ÄF | 102 | 140 | 140 | 140 | 165 |
| ÄG | 125 | 175 | 175 | 175 | 210 |
| H | 40 | 52 | 52 | 64 | 70 |
| H1 | 300 | 300 | 300 | 300 | 300 |
| L | 78 | 102 | 114 | 127 | 154 |
| L1 | 225 | 131 | 131 | 131 | 138 |
| Holes PN10 | 16-Ä23 | 16-Ä28 | 20-Ä28 | 20-Ä28 | 20-Ä31 |
| Holes PN16 | 16-Ä28 | 16-Ä31 | 20-Ä31 | 20-Ä34 | 20-Ä37 |
| Holes CLASS 150 | 12-Ä28.45 | 16-Ä28.45 | 16-Ä31.75 | 20-Ä31.75 | 20-35.05 |
| X1 | 84 | 264 | 264 | 269 | 307 |
| n-Øp | 4-12 | 4-18 | 4-18 | 4-18 | 4-23 |
| Torque (N.M) | 840 | 1260 | 2070 | 2670 | 5295 |
| Kgs | 62 | 121.7 | 134 | 162.6 | 236.4 |

| N. | Part Name | Materials |
|----|-------------|---------------------|
| 1 | Body | Ductile Iron GGG40 |
| 2 | Disc | Stainless Steel 316 |
| 3 | Seat | WRAS EPDM |
| 4 | Upper Shaft | Stainless Steel 420 |
| 5 | Lower Shaft | Stainless Steel 420 |
| 6 | Bushing | PTFE |
| 7 | Split Pin | Spring Steel 65Mn |
| 8 | Circlip | Spring Steel 65Mn |
| 9 | O-Ring | WRAS EPDM |
| 10 | Ring | Nylon 6 PA6 |
| 11 | Gear Box | Aluminium AL102 |
| 12 | Bolt | Stainless Steel 304 |

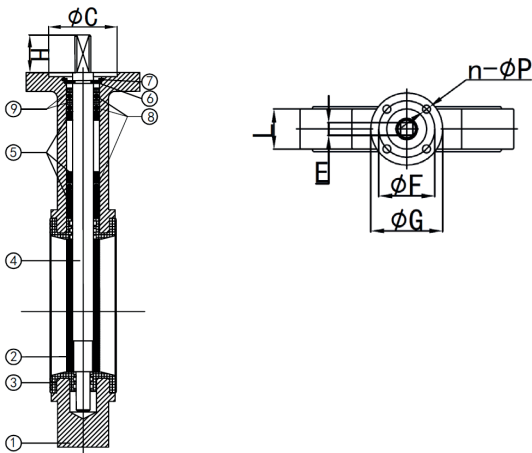
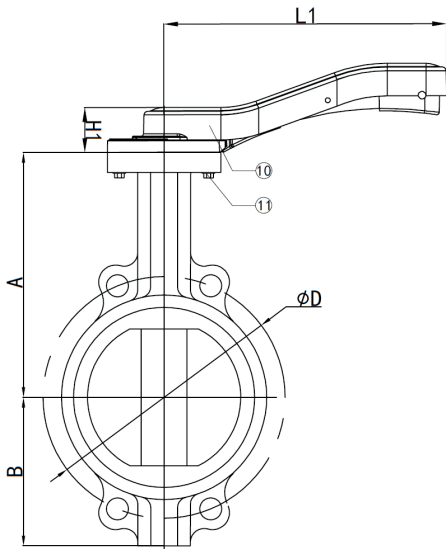
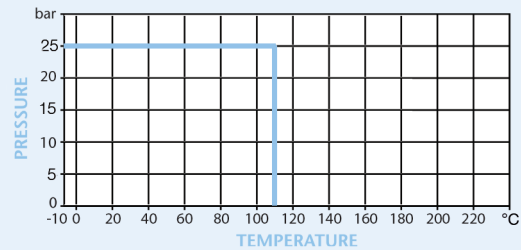


PN25 Ductile Iron Butterfly Valve Wafer Type

Features

- Flange Mounting PN25 Only
- BS5155 (BS EN 593)
- ISO 5211 Direct Mount
- Lockable Handle
- Epoxy Coat Finish
- Vulcanised Liner

Pressure/Temperature



| DN | 50 | 65 | 80 | 100 | 125 | 150 |
|--------|------|------|------|------|------|------|
| A | 141 | 153 | 161 | 178 | 193 | 204 |
| B | 61 | 72 | 87 | 106 | 123 | 138 |
| C | 56 | 56 | 56 | 56 | 56 | 56 |
| D | 125 | 145 | 160 | 190 | 220 | 250 |
| E | 11 | 11 | 11 | 11 | 14 | 14 |
| F | 70 | 70 | 70 | 70 | 70 | 70 |
| G | 90 | 90 | 90 | 90 | 90 | 90 |
| L | 43 | 46 | 46 | 52 | 56 | 56 |
| n-Øp | 4-10 | 4-10 | 4-10 | 4-10 | 4-10 | 4-10 |
| H | 19 | 19 | 19 | 19 | 19 | 19 |
| H1 | 31 | 31 | 31 | 36 | 36 | 36 |
| L1 | 176 | 176 | 176 | 225 | 225 | 225 |
| Torque | 22 | 26 | 36 | 73 | 90 | 106 |
| Kgs | 3.5 | 4.3 | 5 | 7 | 10 | 12.5 |

| N. | Part Name | Materials |
|----|------------|---------------------|
| 1 | Body | Ductile Iron GGG40 |
| 2 | Disc | Stainless Steel 316 |
| 3 | Seat | EPDM |
| 4 | Shaft | Stainless Steel 431 |
| 5 | Bushing | Brass H65 |
| 6 | Cotter Pin | Spring Steel 65Mn |
| 7 | Circlip | Spring Steel 65Mn |
| 8 | O-Ring | NBR |
| 9 | Ring | Nylon 6 PA6 |
| 10 | Handle | AL102 |
| 11 | Bolt | Stainless Steel 304 |

We strongly advise gearbox on all 8", 10" and 12" valves.

Technical Data

| | |
|---------------------|-----------------|
| Max Pressure | 25 Bar |
| Working Temperature | -10°C to +110°C |

Dimensions in mm

This data sheet is designed as a guide and should not be regarded as wholly accurate in every detail. We reserve the right to amend the specification of any product without notice.

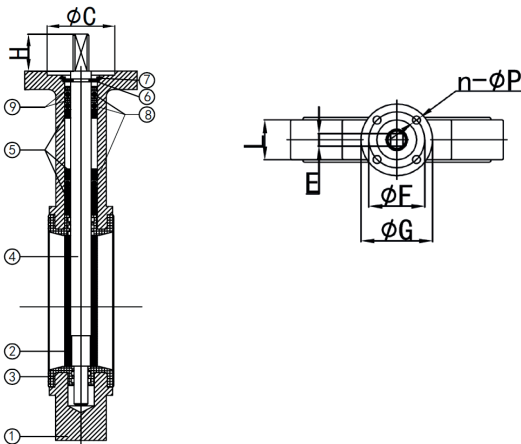
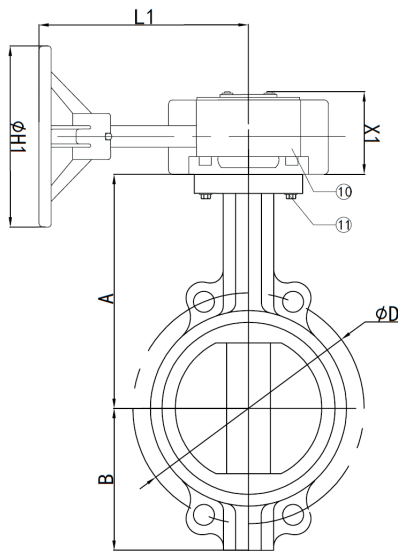
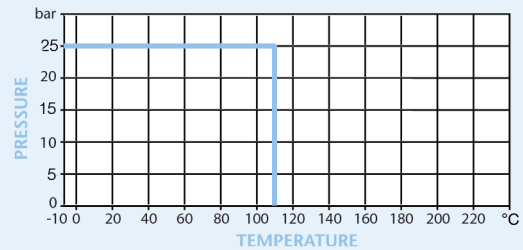


PN25 Ductile Iron Butterfly Valve Wafer Type

Features

- Flange Mounting PN25 Only
- BS5155 (BS EN 593)
- ISO 5211 Direct Mount
- Epoxy Coat Finish
- Vulcanised Liner

Pressure/Temperature



| DN | 200 | 250 | 300 |
|--------|------|------|------|
| A | 247 | 280 | 324 |
| B | 173 | 207 | 250 |
| C | 71 | 71 | 71 |
| D | 310 | 370 | 430 |
| E | 17 | 22 | 22 |
| F | 102 | 102 | 102 |
| G | 125 | 125 | 125 |
| L | 60 | 68 | 78 |
| n-Øp | 4-12 | 4-12 | 4-12 |
| H | 25 | 30 | 30 |
| H1 | 215 | 215 | 215 |
| L1 | 216 | 216 | 216 |
| X1 | 71 | 71 | 71 |
| Torque | 290 | 400 | 510 |
| Kgs | 24 | 34 | 45 |

Technical Data

| | |
|---------------------|-----------------|
| Max Pressure | 25 Bar |
| Working Temperature | -10°C to +110°C |

| N. | Part Name | Materials |
|----|------------|---------------------|
| 1 | Body | Ductile Iron GGG40 |
| 2 | Disc | Stainless Steel 316 |
| 3 | Seat | EPDM |
| 4 | Shaft | Stainless Steel 431 |
| 5 | Bushing | Brass H65 |
| 6 | Cotter Pin | Spring Steel 65Mn |
| 7 | Circlip | Spring Steel 65Mn |
| 8 | O-Ring | NBR |
| 9 | Ring | Nylon 6 PA6 |
| 10 | Gearbox | AL102 |
| 11 | Bolt | Stainless Steel 304 |

Dimensions in mm

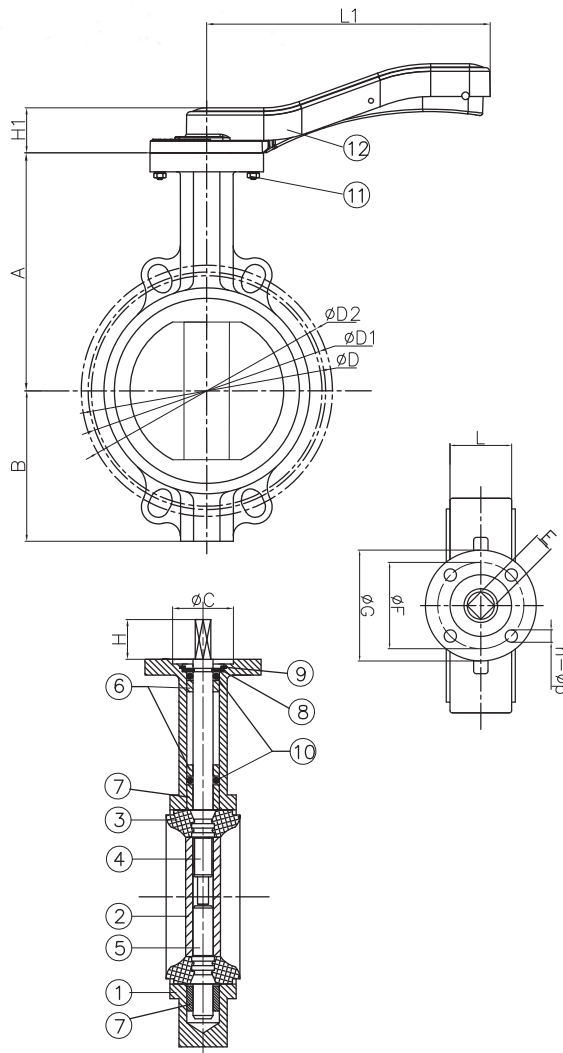
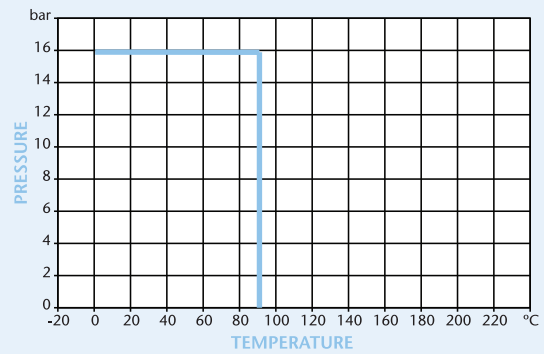
This data sheet is designed as a guide and should not be regarded as wholly accurate in every detail. We reserve the right to amend the specification of any product without notice.

Ductile Iron Butterfly Valve Wafer Type

Features

- Universal Flange Mounting PN10 PN16 ASA150
- BS5155 (BS EN 593)
- ISO 5211 Direct Mount
- Lockable Handle
- Epoxy Coat Finish

Pressure/Temperature



We strongly advise gearbox on all 8", 10" and 12" valves.

Technical Data

Maximum Pressure 16 Bar
Working Temperature -0°C to +90°C

Dimensions in mm

This data sheet is designed as a guide and should not be regarded as wholly accurate in every detail. We reserve the right to amend the specification of any product without notice.

| DN | 50 | 65 | 80 | 100 | 125 | 150 | 200 | 250 | 300 |
|--------|------|------|------|------|------|------|-------|-------|-------|
| A | 142 | 154 | 161 | 179 | 193 | 204 | 250 | 282 | 326 |
| B | 60 | 78 | 87 | 105 | 120 | 138 | 174 | 209 | 242 |
| C | 56 | 56 | 56 | 56 | 56 | 56 | 71 | 71 | 71 |
| D | 125 | 145 | 160 | 180 | 210 | 240 | 295 | 355 | 410 |
| E | 11 | 11 | 11 | 11 | 14 | 14 | 17 | 22 | 22 |
| F | 70 | 70 | 70 | 70 | 70 | 70 | 102 | 102 | 102 |
| G | 90 | 90 | 90 | 90 | 90 | 90 | 125 | 125 | 125 |
| H | 19 | 19 | 19 | 19 | 19 | 19 | 25 | 30 | 30 |
| H1 | 31 | 31 | 31 | 36 | 36 | 36 | 42 | 42 | 42 |
| L | 41.4 | 44 | 44.6 | 51.4 | 53.8 | 55.1 | 59.5 | 65 | 75.9 |
| L1 | 176 | 176 | 176 | 225 | 225 | 225 | 300 | 359 | 359 |
| Holes | 4x19 | 4x19 | 8x19 | 8x19 | 8x19 | 8x23 | 12x23 | 12x28 | 12x28 |
| n-Øp | 4x10 | 4x10 | 4x10 | 4x10 | 4x10 | 4x10 | 4x12 | 4x12 | 4x12 |
| Torque | 19 | 21 | 28 | 43 | 60 | 91 | 194 | 295 | 412 |
| Kgs | 2.35 | 2.75 | 3.05 | 4.7 | 5.5 | 6.75 | 11.6 | 20.4 | 29.1 |

| N. | Part Name | Materials |
|----|-------------|----------------------------------|
| 1 | Body | Ductile Iron GGG40 |
| 2 | Disc | Stainless Steel 316 |
| 3 | Seat | NBR |
| 4 | Upper Shaft | Stainless Steel 410 |
| 5 | Lower Shaft | Stainless Steel 411 |
| 6 | Short Bush | PTFE |
| 7 | Long Bush | PTFE |
| 8 | Split Pin | Spring Steel |
| 9 | Circlip | Spring Steel |
| 10 | O-Ring | EPDM |
| 11 | Bolt | Carbon Steel |
| 12 | Lever | DN 50-150 Aluminium DN200-300 DI |

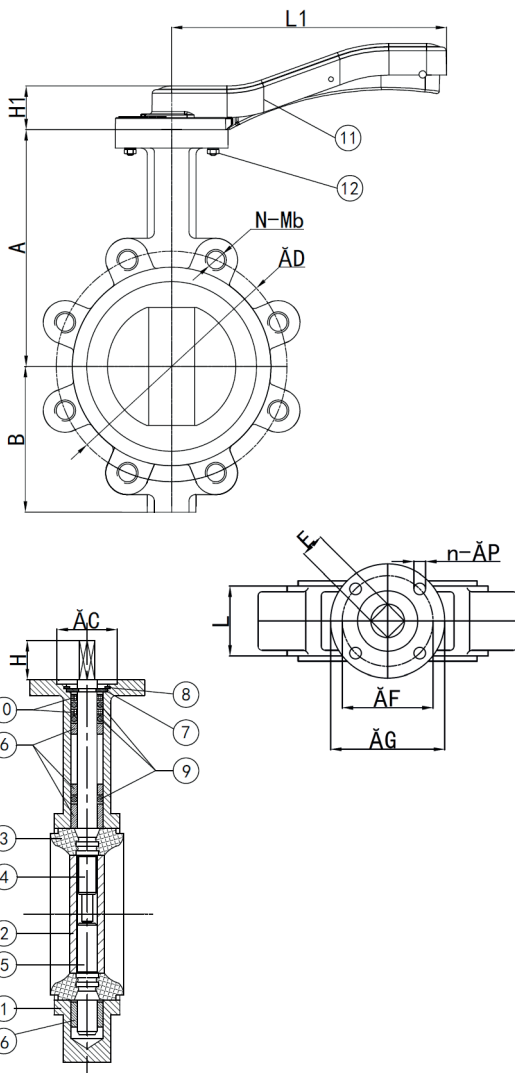
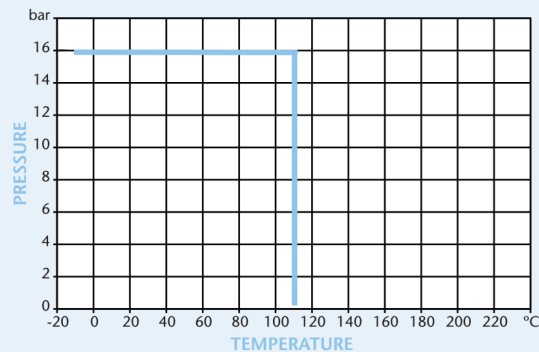


Ductile Iron Butterfly Valve Lugged & Tapped Type

Features

- Flange Mounting PN16 Only
- BS5155 (BS EN 593)
- ISO 5211 Direct Mount
- Lockable Handle
- Epoxy Coat Finish
- WRAS Approved
- MSS-SP-67

Pressure/Temperature



We strongly advise gearbox on all 8", 10" and 12" valves.

Technical Data

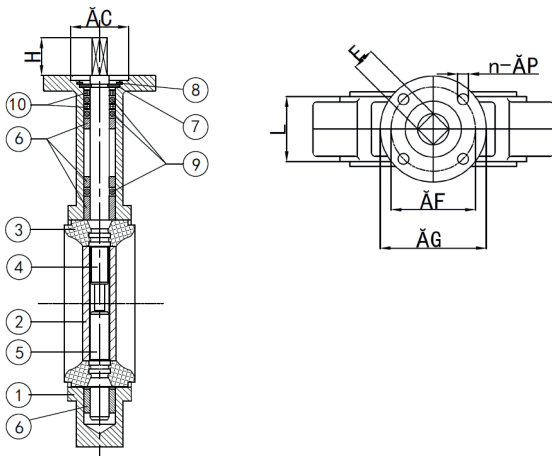
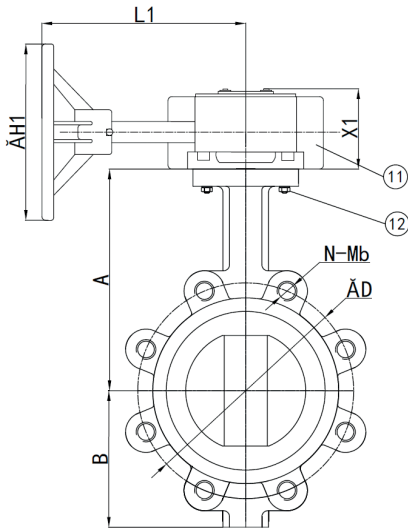
| | |
|---------------------|-----------------|
| Maximum Pressure | 16 Bar |
| Working Temperature | -10°C to +110°C |

Dimensions in mm

This data sheet is designed as a guide and should not be regarded as wholly accurate in every detail. We reserve the right to amend the specification of any product without notice.

| | 50 | 65 | 80 | 100 | 125 | 150 | 200 | 250 | 300 |
|--------|-------|-------|-------|-------|-------|-------|--------|--------|--------|
| A | 142 | 154.5 | 161 | 180 | 193 | 205 | 250 | 282 | 326 |
| B | 60 | 70 | 85 | 104 | 120 | 135 | 171 | 205 | 248 |
| C | 56 | 56 | 56 | 56 | 56 | 56 | 71 | 71 | 71 |
| D1 | 125 | 145 | 160 | 180 | 210 | 240 | 295 | 355 | 410 |
| E | 11 | 11 | 11 | 11 | 14 | 14 | 17 | 22 | 22 |
| F | 70 | 70 | 70 | 70 | 70 | 70 | 102 | 102 | 102 |
| G | 90 | 90 | 90 | 90 | 90 | 90 | 125 | 125 | 125 |
| H | 19 | 19 | 19 | 19 | 19 | 19 | 25 | 30 | 30 |
| H1 | 31 | 31 | 31 | 36 | 36 | 36 | 42 | 42 | 42 |
| L | 41.4 | 44 | 44.6 | 51.4 | 53.8 | 55.1 | 59.5 | 65 | 75.9 |
| L1 | 176 | 176 | 176 | 225 | 225 | 225 | 300 | 359 | 359 |
| N-Mb | 4-M16 | 4-M16 | 8-M16 | 8-M16 | 8-M16 | 8-M20 | 12-M20 | 12-M24 | 12-M24 |
| n-AP | 4x10 | 4x10 | 4x10 | 4x10 | 4x10 | 4x10 | 4x12 | 4x12 | 4x12 |
| Torque | 19 | 21 | 28 | 43 | 60 | 91 | 194 | 295 | 412 |
| Kgs | 2.35 | 2.75 | 3.05 | 4.7 | 5.5 | 6.75 | 11.6 | 20.4 | 29.1 |

| N. | Part Name | Materials |
|----|-------------|---------------------------------|
| 1 | Body | Ductile Iron GGG40 |
| 2 | Disc | Stainless Steel 316 |
| 3 | Seat | WRAS EPDM |
| 4 | Upper Shaft | Stainless Steel 420 |
| 5 | Lower Shaft | Stainless Steel 420 |
| 6 | Bushing | PTFE |
| 7 | Split Pin | Spring Steel 65Mn |
| 8 | Circlip | Spring Steel 65Mn |
| 9 | O-Ring | WRAS EPDM |
| 10 | Ring | Nylon 6 PA6 |
| 11 | Lever | DN50-150 Aluminium DN200-300 DI |
| 12 | Bolt | Stainless Steel 304 |



We strongly advise gearbox on all 8", 10" and 12" valves.

Technical Data

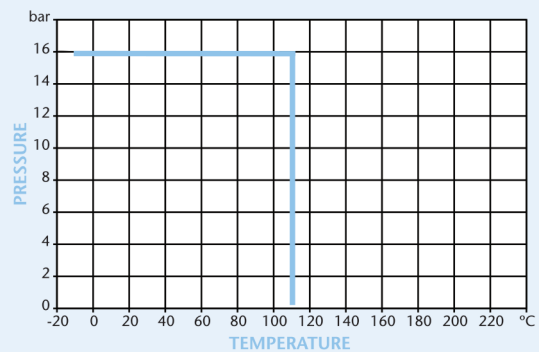
| | |
|---------------------|-----------------|
| Maximum Pressure | 16 Bar |
| Working Temperature | -10°C to +110°C |

PN16 Ductile Iron Butterfly Valve Lugged & Tapped Type

Features

- Flange Mounting PN16 Only
- BS5155 (BS EN 593)
- ISO 5211 Direct Mount
- Epoxy Coat Finish
- WRAS Approved
- MSS-SP-67

Pressure/Temperature



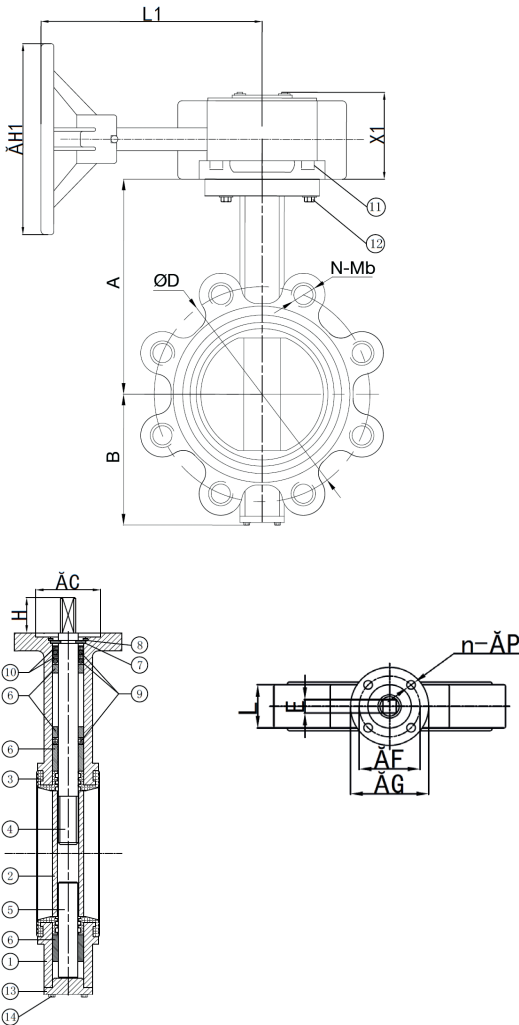
| | 50 | 65 | 80 | 100 | 125 | 150 | 200 | 250 | 300 |
|------|-------|-------|-------|-------|-------|-------|--------|--------|--------|
| A | 142 | 154.5 | 161 | 180 | 193 | 205 | 250 | 282 | 326 |
| B | 60 | 70 | 85 | 104 | 120 | 135 | 171 | 205 | 248 |
| C | 56 | 56 | 56 | 56 | 56 | 56 | 71 | 71 | 71 |
| D1 | 125 | 145 | 160 | 180 | 210 | 240 | 295 | 355 | 410 |
| E | 11 | 11 | 11 | 11 | 14 | 14 | 17 | 22 | 22 |
| F | 70 | 70 | 70 | 70 | 70 | 70 | 102 | 102 | 102 |
| G | 90 | 90 | 90 | 90 | 90 | 90 | 125 | 125 | 125 |
| H | 19 | 19 | 19 | 19 | 19 | 19 | 25 | 30 | 30 |
| H1 | 134 | 134 | 134 | 134 | 134 | 134 | 215 | 215 | 215 |
| L | 41.4 | 44 | 44.6 | 51.4 | 53.8 | 55.1 | 59.5 | 65 | 75.9 |
| L1 | 145 | 145 | 145 | 145 | 145 | 145 | 216 | 216 | 216 |
| X1 | 62 | 62 | 62 | 62 | 62 | 62 | 71 | 71 | 71 |
| N-Mb | 4-M16 | 4-M16 | 8-M16 | 8-M16 | 8-M16 | 8-M20 | 12-M20 | 12-M24 | 12-M24 |
| n-Äp | 4x10 | 4x10 | 4x10 | 4x10 | 4x10 | 4x10 | 4x12 | 4x12 | 4x12 |
| Kgs | 5.35 | 5.75 | 6.05 | 7.7 | 8.5 | 9.75 | 17.6 | 26.4 | 35.1 |

| N. | Part Name | Materials |
|----|-------------|---------------------|
| 1 | Body | Ductile Iron GGG40 |
| 2 | Disc | Stainless Steel 316 |
| 3 | Seat | WRAS EPDM |
| 4 | Upper Shaft | Stainless Steel 420 |
| 5 | Lower Shaft | Stainless Steel 420 |
| 6 | Bushing | PTFE |
| 7 | Split Pin | Spring Steel 65Mn |
| 8 | Circlip | Spring Steel 65Mn |
| 9 | O-Ring | WRAS EPDM |
| 10 | Ring | Nylon 6 PA6 |
| 11 | Gearbox | Aluminium |
| 12 | Bolt | Stainless Steel 304 |

Dimensions in mm

This data sheet is designed as a guide and should not be regarded as wholly accurate in every detail. We reserve the right to amend the specification of any product without notice.

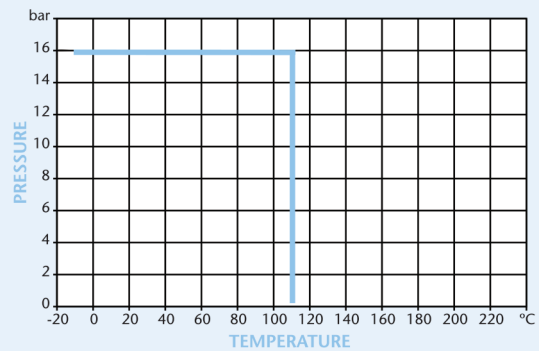
PN16 Ductile Iron Butterfly Valve Lugged & Tapped Type



Features

- Flange Mounting PN16 Only
- BS5155 (BS EN 593)
- ISO 5211 Direct Mount
- Epoxy Coat Finish
- MSS-SP-67

Pressure/Temperature



| | 350 | 400 | 450 | 500 | 600 |
|--------------|--------|--------|--------|--------|--------|
| ÅD | 470 | 525 | 585 | 650 | 770 |
| N-Mb | 16-M24 | 16-M27 | 20-M27 | 20-M30 | 20-M33 |
| A | 345 | 390 | 422 | 470 | 552 |
| B | 262 | 305 | 341 | 373 | 445 |
| C | 71 | 100.5 | 100.5 | 100.5 | 130.5 |
| H | 40 | 52 | 52 | 64 | 70 |
| ÅG | 125 | 175 | 175 | 175 | 210 |
| n-ÅP | 4-12 | 4-18 | 4-18 | 4-18 | 4-23 |
| ÅF | 102 | 140 | 140 | 140 | 165 |
| L | 78 | 102 | 114 | 127 | 154 |
| E | 22 | 27 | 27 | 27 | 36 |
| H1 | 300 | 300 | 300 | 300 | 300 |
| L1 | 225 | 131 | 131 | 131 | 138 |
| X1 | 84 | 264 | 264 | 269 | 307 |
| Torque (N.M) | 840 | 1260 | 2070 | 2670 | 5295 |
| Kgs | 88 | 168 | 198 | 238.8 | 334.8 |

| N. | Part Name | Materials |
|----|-------------|---------------------|
| 1 | Body | Ductile Iron GGG40 |
| 2 | Disc | Stainless Steel 316 |
| 3 | Seat | WRAS EPDM |
| 4 | Upper Shaft | Stainless Steel 431 |
| 5 | Lower Shaft | Stainless Steel 431 |
| 6 | Bushing | Brass H65 |
| 7 | Split Pin | Spring Steel 65Mn |
| 8 | Circlip | Spring Steel 65Mn |
| 9 | O-Ring | WRAS EPDM |
| 10 | Ring | Nylon 6 PA6 |
| 11 | Gearbox | Ductile Iron |
| 12 | Bolt | Stainless Steel 304 |
| 13 | End Cover | Ductile Iron GGG40 |
| 14 | Bolt | Stainless Steel 304 |

NOTE: DN350 without back cover and back cover bolts.

Technical Data

| | |
|---------------------|-----------------|
| Maximum Pressure | 16 Bar |
| Working Temperature | -10°C to +110°C |

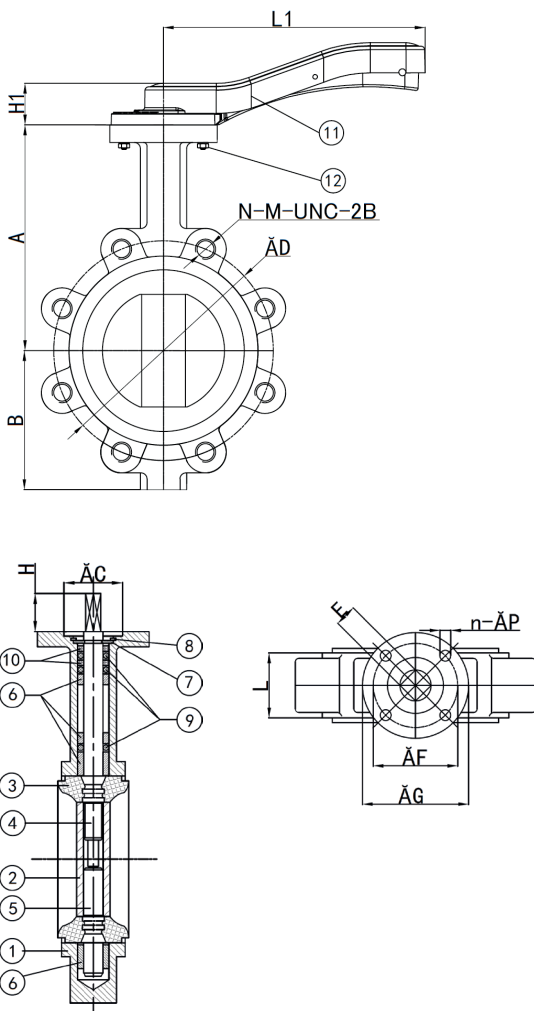
Dimensions in mm

This data sheet is designed as a guide and should not be regarded as wholly accurate in every detail. We reserve the right to amend the specification of any product without notice.

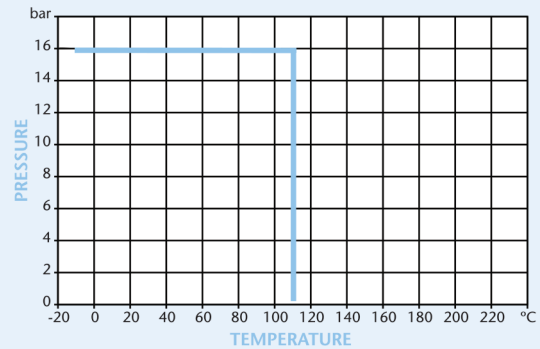
ANSI 150 Ductile Iron Butterfly Valve Lugged & Tapped Type

Features

- Flange Mounting ANSI Class 150
- BS5155 (BS EN 593)
- ISO 5211 Direct Mount
- Lockable Handle
- Epoxy Coat Finish
- WRAS Approved
- MSS-SP-67



Pressure/Temperature



| | 50 | 65 | 80 | 100 | 125 | 150 | 200 | 250 | 300 |
|------------|----------------------------|----------------------------|----------------------------|----------------------------|----------------------------|----------------------------|----------------------------|----------------------------|----------------------------|
| A | 142 | 154.5 | 161 | 180 | 193 | 205 | 250 | 282 | 326 |
| B | 60 | 70 | 85 | 104 | 120 | 135 | 171 | 205 | 248 |
| C | 56 | 56 | 56 | 56 | 56 | 56 | 71 | 71 | 71 |
| D | 120.65 | 139.7 | 152.4 | 190.5 | 215.9 | 241.3 | 298.45 | 361.95 | 431.8 |
| E | 11 | 11 | 11 | 11 | 14 | 14 | 17 | 22 | 22 |
| F | 70 | 70 | 70 | 70 | 70 | 70 | 102 | 102 | 102 |
| G | 90 | 90 | 90 | 90 | 90 | 90 | 125 | 125 | 125 |
| H | 19 | 19 | 19 | 19 | 19 | 19 | 25 | 30 | 30 |
| H1 | 31 | 31 | 31 | 36 | 36 | 36 | 42 | 42 | 42 |
| L | 41.4 | 44 | 44.6 | 51.4 | 53.8 | 55.1 | 59.5 | 65 | 75.9 |
| L1 | 176 | 176 | 176 | 225 | 225 | 225 | 300 | 359 | 359 |
| N-M-UNC-2B | 4-5/ 8-11 UNC -2B | 4-5/ 8-11 UNC -2B | 4-5/ 8-11 UNC -2B | 8-5/ 8-11 UNC -2B | 8-3/ 4-10 UNC -2B | 8-3/ 4-10 UNC -2B | 8-3/ 4-10 UNC -2B | 12-7/ 8-9 UNC -2B | 12-7/ 8-9 UNC -2B |
| n-Äp | 4x10 | 4x10 | 4x10 | 4x10 | 4x10 | 4x10 | 4x12 | 4x12 | 4x12 |
| Kgs | 2.35 | 2.75 | 3.05 | 4.7 | 5.5 | 6.75 | 11.6 | 20.4 | 29.1 |

| N. | Part Name | Materials |
|----|-------------|---------------------------------|
| 1 | Body | Ductile Iron GGG40 |
| 2 | Disc | Stainless Steel 316 |
| 3 | Seat | WRAS EPDM |
| 4 | Upper Shaft | Stainless Steel 420 |
| 5 | Lower Shaft | Stainless Steel 420 |
| 6 | Bushing | PTFE |
| 7 | Split Pin | Spring Steel 65Mn |
| 8 | Circlip | Spring Steel 65Mn |
| 9 | O-Ring | WRAS EPDM |
| 10 | Ring | Nylon 6 PA6 |
| 11 | Lever | DN50-150 Aluminium DN200-300 DI |
| 12 | Bolt | Stainless Steel 304 |

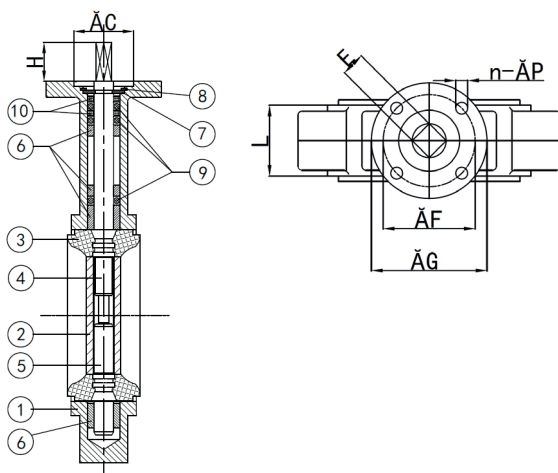
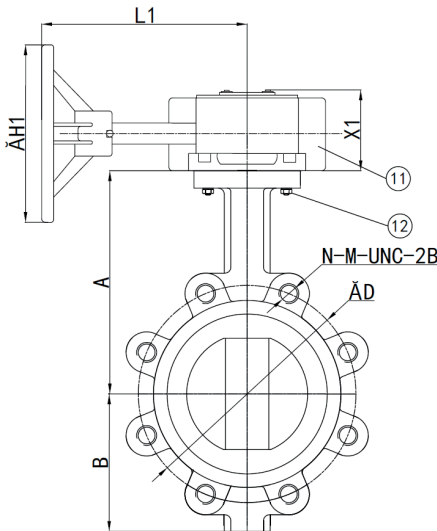
We strongly advise gearbox on all 8", 10" and 12" valves.

Technical Data

Maximum Pressure 16 Bar
Working Temperature -10°C to +110°C

Dimensions in mm

This data sheet is designed as a guide and should not be regarded as wholly accurate in every detail. We reserve the right to amend the specification of any product without notice.

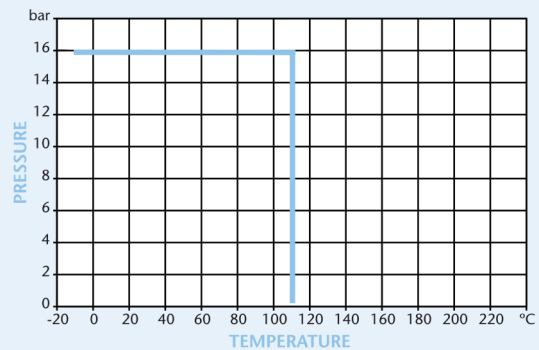


ANSI 150 Ductile Iron Butterfly Valve Lugged & Tapped Type

Features

- Flange Mounting ANSI Class 150
- BS5155 (BS EN 593)
- ISO 5211 Direct Mount
- Epoxy Coat Finish
- WRAS Approved
- MSS-SP-67

Pressure/Temperature



| | 50 | 65 | 80 | 100 | 125 | 150 | 200 | 250 | 300 |
|----------------|--------------|--------------|--------------|--------------|--------------|--------------|--------------|--------------|--------------|
| A | 142 | 154.5 | 161 | 180 | 193 | 205 | 250 | 282 | 326 |
| B | 60 | 70 | 85 | 104 | 120 | 135 | 171 | 205 | 248 |
| C | 56 | 56 | 56 | 56 | 56 | 56 | 71 | 71 | 71 |
| D1 | 125 | 145 | 160 | 180 | 210 | 240 | 295 | 355 | 410 |
| | 4-5/ 8-11 | 4-5/ 8-11 | 4-5/ 8-11 | 8-5/ 8-11 | 8-3/ 4-10 | 8-3/ 4-10 | 8-3/ 4-10 | 12-7/ 8-9 | 12-7/ 8-9 |
| N-M- UNC-2B | UNC -2B | UNC -2B | UNC -2B | UNC -2B | UNC -2B | UNC -2B | UNC -2B | UNC -2B | UNC -2B |
| E | 11 | 11 | 11 | 11 | 14 | 14 | 17 | 22 | 22 |
| F | 70 | 70 | 70 | 70 | 70 | 70 | 102 | 102 | 102 |
| G | 90 | 90 | 90 | 90 | 90 | 90 | 125 | 125 | 125 |
| L | 41.4 | 44 | 44.6 | 51.4 | 53.8 | 55.1 | 59.5 | 65 | 75.9 |
| n-AP | 4-10 | 4-10 | 4-10 | 4-10 | 4-10 | 4-10 | 4-12 | 4-12 | 4-12 |
| H | 19 | 19 | 19 | 19 | 19 | 19 | 25 | 30 | 30 |
| H1 | 134 | 134 | 134 | 134 | 134 | 134 | 215 | 215 | 215 |
| L1 | 145 | 145 | 145 | 145 | 145 | 145 | 216 | 216 | 216 |
| X1 | 62 | 62 | 62 | 62 | 62 | 62 | 71 | 71 | 71 |
| Kgs | 5.35 | 5.75 | 6.05 | 7.7 | 8.5 | 9.75 | 17.6 | 26.4 | 35.1 |

| N. | Part Name | Materials |
|----|-------------|---------------------|
| 1 | Body | Ductile Iron GGG40 |
| 2 | Disc | Stainless Steel 316 |
| 3 | Seat | WRAS EPDM |
| 4 | Upper Shaft | Stainless Steel 420 |
| 5 | Lower Shaft | Stainless Steel 420 |
| 6 | Bushing | PTFE |
| 7 | Split Pin | Spring Steel 65Mn |
| 8 | Circlip | Spring Steel 65Mn |
| 9 | O-Ring | WRAS EPDM |
| 10 | Ring | Nylon 6 PA6 |
| 11 | Gearbox | Aluminium AL102 |
| 12 | Bolt | Stainless Steel 304 |

We strongly advise gearbox on all 8", 10" and 12" valves.

Technical Data

Maximum Pressure 16 Bar
Working Temperature -10°C to +110°C

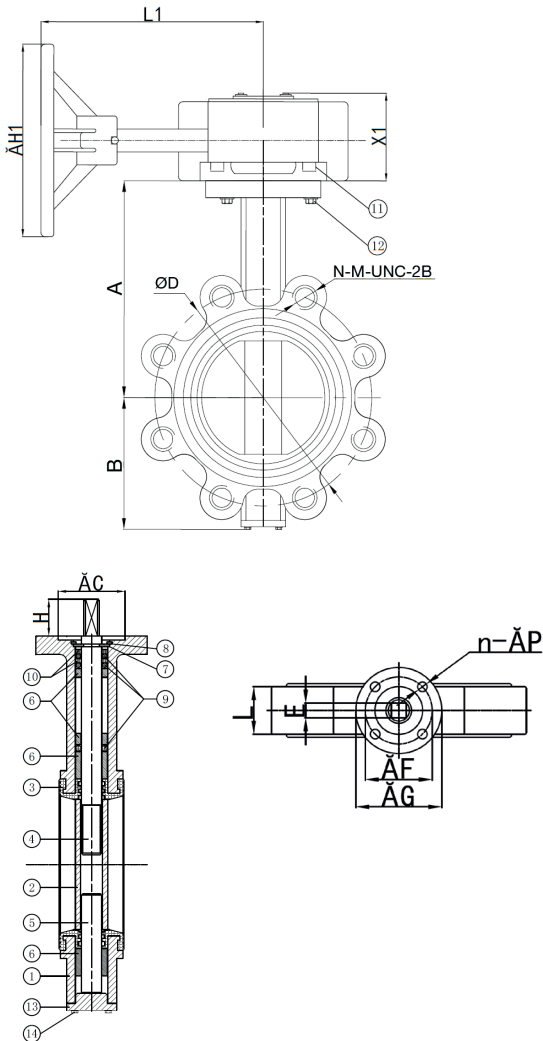
Dimensions in mm

This data sheet is designed as a guide and should not be regarded as wholly accurate in every detail. We reserve the right to amend the specification of any product without notice.

ANSI 150 Ductile Iron Butterfly Valve Lugged & Tapped Type

Features

- Flange Mounting ANSI Class 150
- BS5155 (BS EN 593)
- ISO 5211 Direct Mount
- Epoxy Coat Finish
- MSS-SP-67



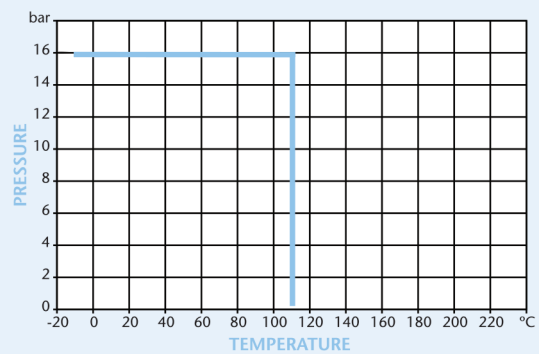
Technical Data

| | |
|---------------------|-----------------|
| Maximum Pressure | 16 Bar |
| Working Temperature | -10°C to +110°C |

Dimensions in mm

This data sheet is designed as a guide and should not be regarded as wholly accurate in every detail. We reserve the right to amend the specification of any product without notice.

Pressure/Temperature



| | 350 | 400 | 450 | 500 | 600 |
|--------------|--------------|--------------|------------------|------------------|------------------|
| ÄD | 476.25 | 539.75 | 577.85 | 635 | 749.3 |
| N-M-UNC-2B | 12-1-8UNC-2B | 16-1-8UNC-2B | 16-1.1/8-7UNC-2B | 20-1.1/8-7UNC-2B | 20-1.1/4-7UNC-2B |
| A | 345 | 390 | 422 | 470 | 552 |
| B | 262 | 305 | 341 | 373 | 445 |
| C | 71 | 100.5 | 100.5 | 100.5 | 130.5 |
| H | 40 | 52 | 52 | 64 | 70 |
| ÄG | 125 | 175 | 175 | 175 | 210 |
| n-ÄP | 4-12 | 4-18 | 4-18 | 4-18 | 4-23 |
| ÄF | 102 | 140 | 140 | 140 | 165 |
| L | 78 | 102 | 114 | 127 | 154 |
| E | 22 | 27 | 27 | 27 | 36 |
| H1 | 300 | 300 | 300 | 300 | 300 |
| L1 | 225 | 131 | 131 | 131 | 138 |
| X1 | 84 | 264 | 264 | 296 | 307 |
| Torque (N.M) | 840 | 1260 | 2070 | 2670 | 5295 |
| Kgs | 88 | 168 | 198 | 238.8 | 334.8 |

| N. | Part Name | Materials |
|----|-------------|---------------------|
| 1 | Body | Ductile Iron GGG40 |
| 2 | Disc | Stainless Steel 316 |
| 3 | Seat | WRAS EPDM |
| 4 | Upper Shaft | Stainless Steel 420 |
| 5 | Lower Shaft | Stainless Steel 420 |
| 6 | Bushing | PTFE |
| 7 | Split Pin | Spring Steel 65Mn |
| 8 | Circlip | Spring Steel 65Mn |
| 9 | O-Ring | WRAS EPDM |
| 10 | Ring | Nylon 6 PA6 |
| 11 | Gearbox | Aluminium AL102 |
| 12 | Bolt | Stainless Steel 304 |

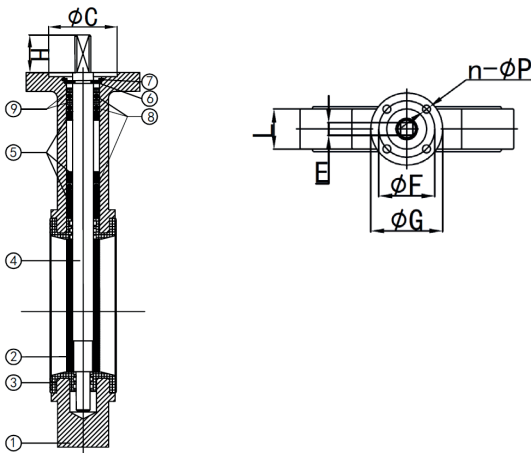
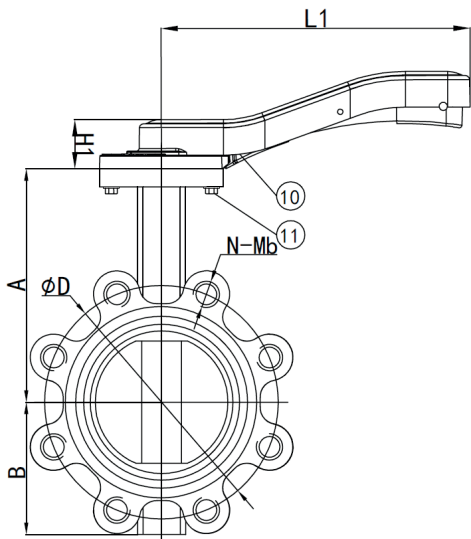
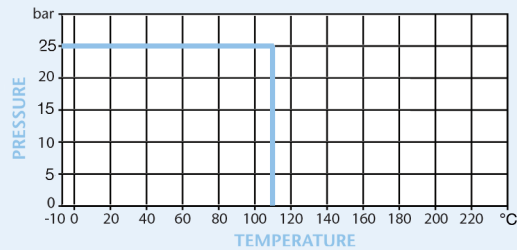


PN25 Ductile Iron Butterfly Valve Lugged & Tapped Type

Features

- Flange Mounting PN25 Only
- BS5155 (BS EN 593)
- ISO 5211 Direct Mount
- Lockable Handle
- Epoxy Coat Finish
- Vulcanised Liner

Pressure/Temperature



| DN | 50 | 65 | 80 | 100 | 125 | 150 |
|--------|-------|-------|-------|-------|-------|-------|
| A | 141 | 153 | 161 | 178 | 193 | 204 |
| B | 61 | 72 | 87 | 106 | 123 | 138 |
| C | 56 | 56 | 56 | 56 | 56 | 56 |
| D | 125 | 145 | 160 | 190 | 220 | 250 |
| N-Mb | 4-M16 | 8-M16 | 8-M16 | 8-M20 | 8-M24 | 8-M24 |
| E | 11 | 11 | 11 | 11 | 14 | 14 |
| F | 70 | 70 | 70 | 70 | 70 | 70 |
| G | 90 | 90 | 90 | 90 | 90 | 90 |
| L | 43 | 46 | 46 | 52 | 56 | 56 |
| n-Øp | 4-10 | 4-10 | 4-10 | 4-10 | 4-10 | 4-10 |
| H | 19 | 19 | 19 | 19 | 19 | 19 |
| H1 | 31 | 31 | 31 | 36 | 36 | 36 |
| L1 | 176 | 176 | 176 | 225 | 225 | 225 |
| Torque | 22 | 26 | 36 | 73 | 90 | 106 |
| Kgs | 4.5 | 6.5 | 7 | 10 | 16.5 | 17 |

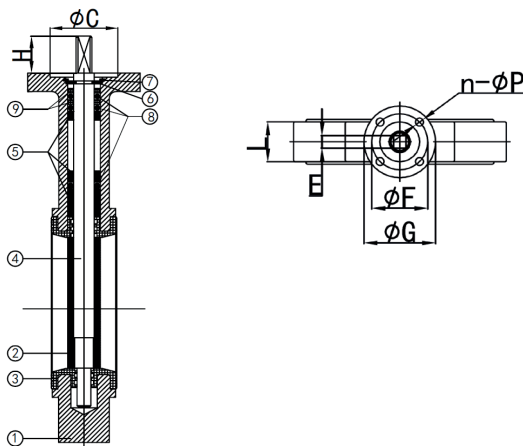
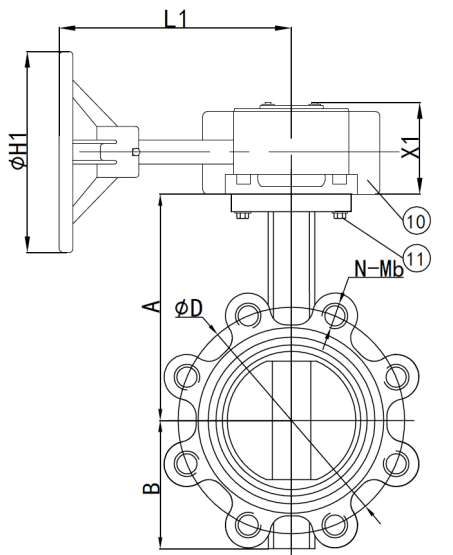
Technical Data

| | |
|---------------------|-----------------|
| Max Pressure | 25 Bar |
| Working Temperature | -10°C to +110°C |

| N. | Part Name | Materials |
|----|------------|---------------------|
| 1 | Body | Ductile Iron GGG40 |
| 2 | Disc | Stainless Steel 316 |
| 3 | Seat | EPDM |
| 4 | Shaft | Stainless Steel 431 |
| 5 | Bushing | Brass H65 |
| 6 | Cotter Pin | Spring Steel 65Mn |
| 7 | Circlip | Spring Steel 65Mn |
| 8 | O-Ring | NBR |
| 9 | Ring | Nylon 6 PA6 |
| 10 | Handle | AL102 |
| 11 | Bolt | Stainless Steel 304 |

Dimensions in mm

This data sheet is designed as a guide and should not be regarded as wholly accurate in every detail. We reserve the right to amend the specification of any product without notice.

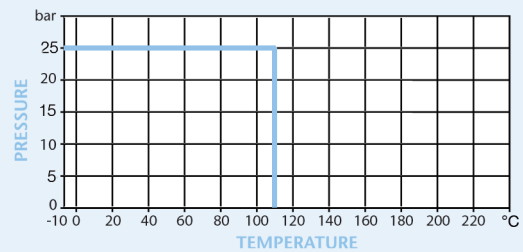


PN25 Ductile Iron Butterfly Valve Lugged & Tapped Type

Features

- Flange Mounting PN25 Only
- BS5155 (BS EN 593)
- ISO 5211 Direct Mount
- Epoxy Coat Finish
- Vulcanised Liner

Pressure/Temperature



| DN | 200 | 250 | 300 |
|------------|--------|--------|--------|
| A | 247 | 280 | 324 |
| B | 173 | 207 | 250 |
| C | 71 | 71 | 71 |
| D | 310 | 370 | 430 |
| N-Mb | 12-M24 | 12-M27 | 16-M27 |
| E | 17 | 22 | 22 |
| F | 102 | 102 | 102 |
| G | 125 | 125 | 125 |
| L | 60 | 68 | 78 |
| n-Øp | 4-12 | 4-12 | 4-12 |
| H | 25 | 30 | 30 |
| H1 | 215 | 215 | 215 |
| L1 | 216 | 216 | 216 |
| X1 | 71 | 71 | 71 |
| Torque Kgs | 290 | 400 | 510 |
| | 33 | 47 | 69 |

Technical Data

| | |
|---------------------|-----------------|
| Max Pressure | 25 Bar |
| Working Temperature | -10°C to +110°C |

| N. | Part Name | Materials |
|----|------------|---------------------|
| 1 | Body | Ductile Iron GGG40 |
| 2 | Disc | Stainless Steel 316 |
| 3 | Seat | EPDM |
| 4 | Shaft | Stainless Steel 431 |
| 5 | Bushing | Brass H65 |
| 6 | Cotter Pin | Spring Steel 65Mn |
| 7 | Circlip | Spring Steel 65Mn |
| 8 | O-Ring | NBR |
| 9 | Ring | Nylon 6 PA6 |
| 10 | Gearbox | AL102 |
| 11 | Bolt | Stainless Steel 304 |

Dimensions in mm

This data sheet is designed as a guide and should not be regarded as wholly accurate in every detail. We reserve the right to amend the specification of any product without notice.

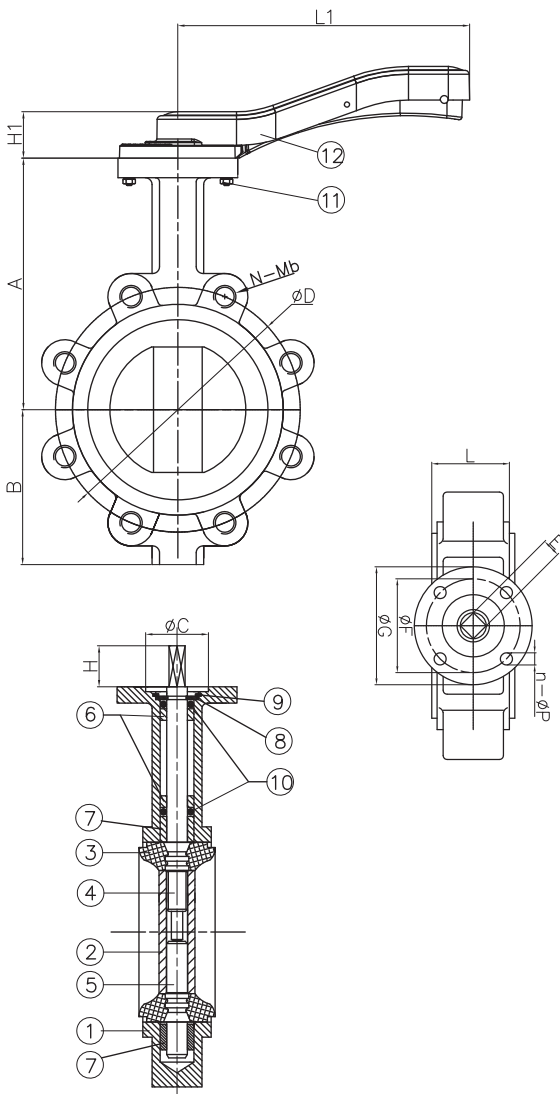
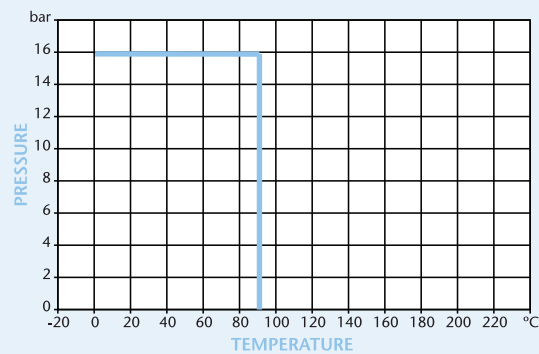


Ductile Iron Butterfly Valve Lugged & Tapped Type

Features

- Flange Mounting PN16 Only
- BS5155 (BS EN 593)
- ISO 5211 Direct Mount
- Lockable Handle
- Epoxy Coat Finish
- 8", 10" & 12" supplied with gearbox as standard

Pressure/Temperature



| DN | 50 | 65 | 80 | 100 | 125 | 150 | 200 | 250 | 300 |
|--------|-------|-------|-------|-------|-------|-------|--------|--------|--------|
| A | 142 | 154 | 161 | 179 | 193 | 204 | 250 | 282 | 326 |
| B | 75 | 80 | 91 | 110 | 125 | 137 | 178 | 208 | 241 |
| C | 56 | 56 | 56 | 56 | 56 | 56 | 71 | 71 | 71 |
| D | 125 | 145 | 160 | 180 | 210 | 240 | 295 | 355 | 410 |
| E | 11 | 11 | 11 | 11 | 14 | 14 | 17 | 22 | 22 |
| F | 70 | 70 | 70 | 70 | 70 | 70 | 102 | 102 | 102 |
| G | 90 | 90 | 90 | 90 | 90 | 90 | 125 | 125 | 125 |
| H | 19 | 19 | 19 | 19 | 19 | 19 | 25 | 30 | 30 |
| H1 | 31 | 31 | 31 | 36 | 36 | 36 | 42 | 42 | 42 |
| L | 41.4 | 44 | 44.6 | 51.4 | 53.8 | 55.1 | 59.5 | 65 | 75.9 |
| L1 | 176 | 176 | 176 | 225 | 225 | 225 | 300 | 359 | 359 |
| N-Mb | 4xM16 | 4xM16 | 8xM16 | 8xM16 | 8xM16 | 8xM20 | 12xM20 | 12xM24 | 12xM24 |
| n-Øp | 4x10 | 4x10 | 4x10 | 4x10 | 4x10 | 4x10 | 4x12 | 4x12 | 4x12 |
| Torque | 19 | 21 | 28 | 43 | 60 | 91 | 194 | 295 | 412 |
| Kgs | 3.55 | 3.95 | 5.25 | 7 | 8.65 | 10.1 | 18.2 | 26.8 | 35.5 |

| N. | Part Name | Materials |
|----|-------------|----------------------------------|
| 1 | Body | Ductile Iron GGG40 |
| 2 | Disc | Ductile Iron / Nickel Plated |
| 3 | Seat | NBR |
| 4 | Upper Shaft | Stainless Steel 410 |
| 5 | Lower Shaft | Stainless Steel 411 |
| 6 | Short Bush | PTFE |
| 7 | Long Bush | PTFE |
| 8 | Split Pin | Spring Steel |
| 9 | Circlip | Spring Steel |
| 10 | O-Ring | EPDM |
| 11 | Bolt | Carbon Steel |
| 12 | Lever | DN 50-150 Aluminium DN200-300 DI |

Technical Data

Maximum Pressure 16 Bar
Working Temperature 0°C to + 90°C

Dimensions in mm

This data sheet is designed as a guide and should not be regarded as wholly accurate in every detail. We reserve the right to amend the specification of any product without notice.

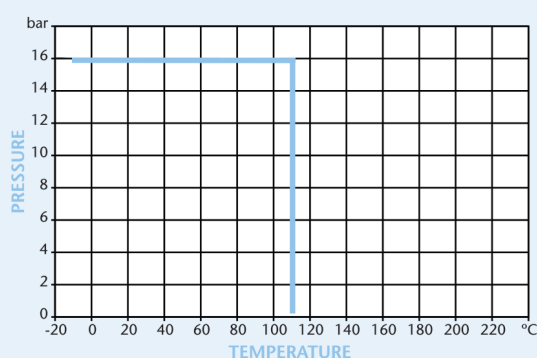
Ductile Iron Butterfly Valve Double Flanged Type

Features

- Flange Mounting PN16 Only
- BS5155 (BS EN 593)
- ISO 5211 Direct Mount
- Lockable Handle
- Epoxy Paint Finish
- Vulcanised Liner
- BS EN558-1 Series 13

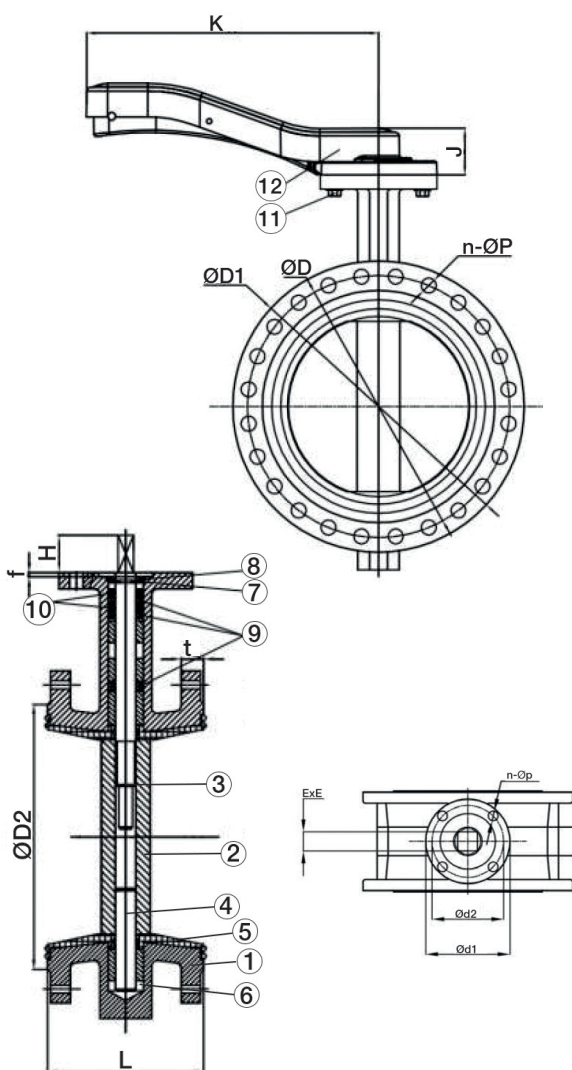


Pressure/Temperature



| | 50 | 65 | 80 | 100 | 125 | 150 | 200 | 250 | 300 |
|--------|------|------|------|------|------|------|-------|-------|-------|
| K | 176 | 176 | 176 | 225 | 225 | 225 | 300 | 359 | 359 |
| J | 31 | 31 | 31 | 36 | 36 | 36 | 40 | 40 | 40 |
| n-ØP | 4-19 | 4-19 | 8-19 | 8-19 | 8-19 | 8-23 | 12-23 | 12-28 | 12-28 |
| D | 125 | 145 | 160 | 180 | 210 | 240 | 295 | 355 | 410 |
| D1 | 165 | 185 | 200 | 220 | 250 | 285 | 340 | 405 | 460 |
| f | 3 | 3 | 3 | 3 | 3 | 3 | 3 | 3 | 3 |
| H | 19 | 19 | 19 | 19 | 19 | 19 | 25 | 30 | 30 |
| t | 19 | 19 | 19 | 19 | 19 | 19 | 20 | 22 | 24.5 |
| L | 108 | 112 | 114 | 127 | 140 | 140 | 152 | 165 | 178 |
| D2 | 99 | 118 | 132 | 156 | 184 | 211 | 266 | 319 | 370 |
| ExE | 11 | 11 | 11 | 11 | 14 | 14 | 17 | 22 | 22 |
| n-Øp | 4-10 | 4-10 | 4-10 | 4-10 | 4-10 | 4-10 | 4-12 | 4-12 | 4-12 |
| d1 | 90 | 90 | 90 | 90 | 90 | 90 | 125 | 125 | 125 |
| d2 | 70 | 70 | 70 | 70 | 70 | 70 | 102 | 102 | 102 |
| ISO | F07 | F07 | F07 | F07 | F07 | F07 | F10 | F10 | F10 |
| Torque | 20 | 23 | 34 | 52 | 101 | 120 | 293 | 390 | 468 |

| N. | Part Name | Materials |
|----|-------------|---------------------------------|
| 1 | Body | Ductile Iron GGG40 |
| 2 | Disc | Stainless Steel 316 |
| 3 | Upper Shaft | Stainless Steel 420 |
| 4 | Lower Shaft | Stainless Steel 420 |
| 5 | Seat | EPDM |
| 6 | Bushing | PTFE |
| 7 | Cotter Pin | Plated Steel 65Mn |
| 8 | Circlip | Plated Steel 65Mn |
| 9 | O-Ring | NBR |
| 10 | Ring | Nylon PA6 |
| 11 | Bolt | Stainless Steel 304 |
| 12 | Handle | DN50-150 Aluminium DN200-300 DI |



We strongly advise gearbox on all 8", 10" and 12" valves.

Technical Data

| | |
|---------------------|-----------------|
| Maximum Pressure | 16 Bar |
| Working Temperature | -10°C to +110°C |

Dimensions in mm

This data sheet is designed as a guide and should not be regarded as wholly accurate in every detail. We reserve the right to amend the specification of any product without notice.

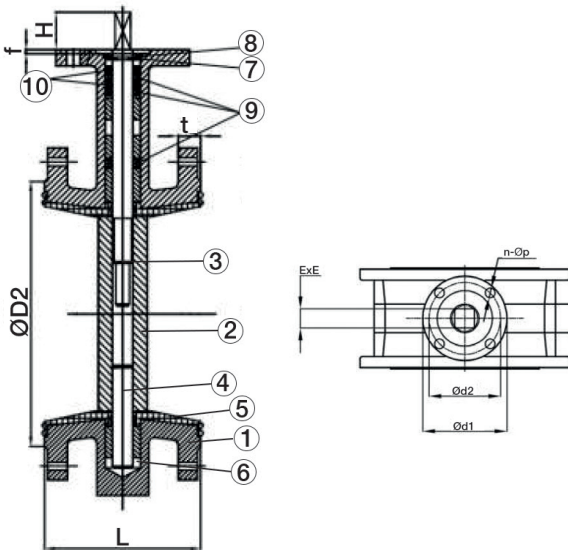
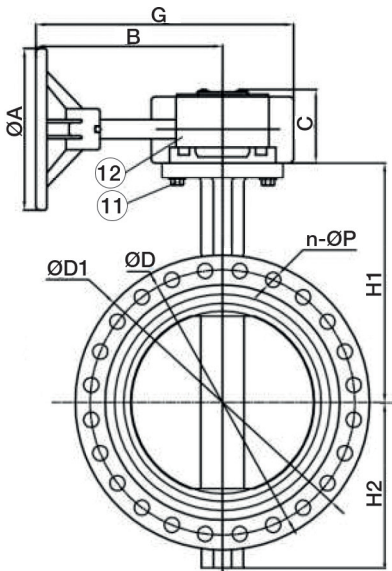
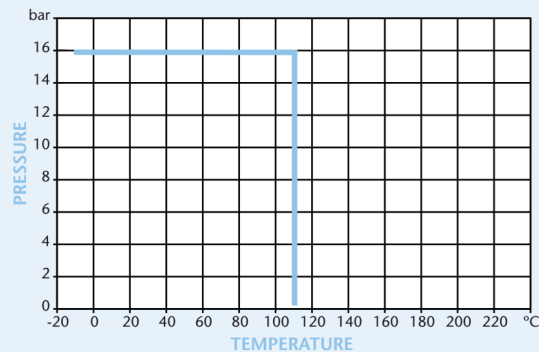


Ductile Iron Butterfly Valve Double Flanged Type

Features

- Flange Mounting PN16 Only
- BS5155 (BS EN 593)
- ISO 5211 Direct Mount
- Gearbox
- Epoxy Paint Finish
- Vulcanised Liner
- BS EN558-1 Series 13

Pressure/Temperature



Technical Data

| | |
|---------------------|-----------------|
| Maximum Pressure | 16 Bar |
| Working Temperature | -10°C to +110°C |

Dimensions in mm

This data sheet is designed as a guide and should not be regarded as wholly accurate in every detail. We reserve the right to amend the specification of any product without notice.

| | 50 | 65 | 80 | 100 | 125 | 150 | 200 | 250 | 300 | 350 |
|--------|------|------|------|------|------|------|-------|-------|-------|-------|
| G | 205 | 205 | 205 | 205 | 205 | 205 | 302 | 302 | 302 | 307 |
| B | 145 | 145 | 145 | 145 | 145 | 145 | 216 | 216 | 216 | 225 |
| A | 134 | 134 | 134 | 134 | 134 | 134 | 215 | 215 | 215 | 300 |
| C | 62 | 62 | 62 | 62 | 62 | 62 | 71 | 71 | 71 | 84 |
| H1 | 139 | 146 | 150 | 177 | 179 | 201 | 230 | 267 | 298 | 310 |
| H2 | 80 | 89 | 95 | 114 | 125 | 139 | 170 | 198 | 223 | 254 |
| n-ØP | 4-19 | 4-19 | 8-19 | 8-19 | 8-19 | 8-23 | 12-23 | 12-28 | 12-28 | 16-28 |
| D | 125 | 145 | 160 | 180 | 210 | 240 | 295 | 355 | 410 | 470 |
| D1 | 165 | 185 | 200 | 220 | 250 | 285 | 340 | 405 | 460 | 520 |
| f | 3 | 3 | 3 | 3 | 3 | 3 | 3 | 3 | 3 | 3 |
| H | 19 | 19 | 19 | 19 | 19 | 19 | 25 | 30 | 30 | 40 |
| t | 19 | 19 | 19 | 19 | 19 | 19 | 20 | 22 | 24.5 | 26.5 |
| L | 108 | 112 | 114 | 127 | 140 | 140 | 152 | 165 | 178 | 190 |
| D2 | 99 | 118 | 132 | 156 | 184 | 211 | 266 | 319 | 370 | 429 |
| ExE | 11 | 11 | 11 | 11 | 14 | 14 | 17 | 22 | 22 | 22 |
| n-Øp | 4-10 | 4-10 | 4-10 | 4-10 | 4-10 | 4-10 | 4-12 | 4-12 | 4-12 | 4-12 |
| d1 | 90 | 90 | 90 | 90 | 90 | 90 | 125 | 125 | 125 | 125 |
| d2 | 70 | 70 | 70 | 70 | 70 | 70 | 102 | 102 | 102 | 102 |
| ISO | F07 | F07 | F07 | F07 | F07 | F07 | F10 | F10 | F10 | F10 |
| Torque | 20 | 23 | 34 | 52 | 101 | 120 | 293 | 390 | 468 | 927 |

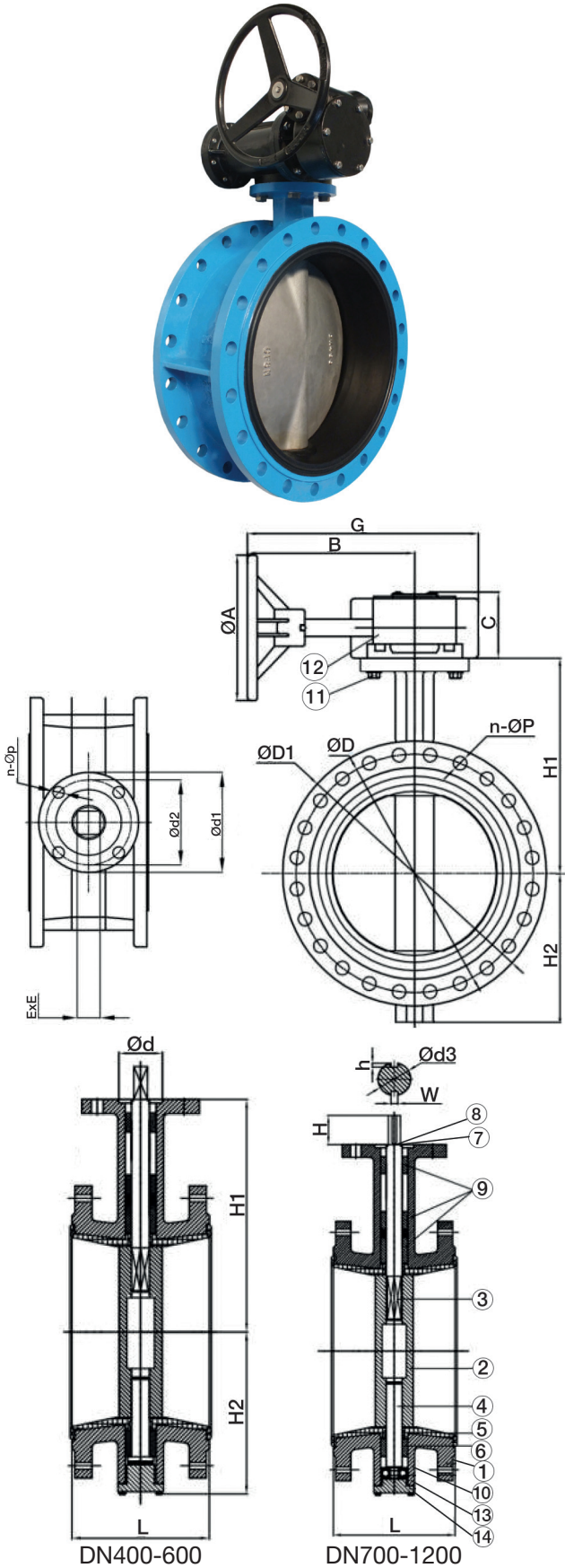
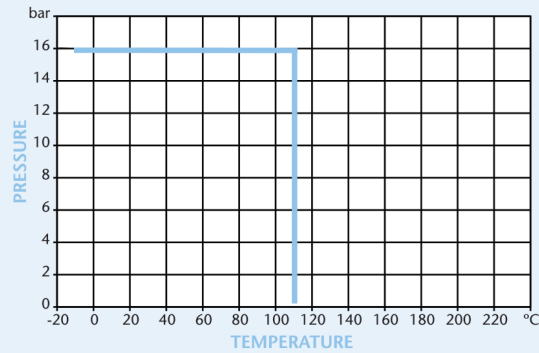
| N. | Part Name | Materials |
|----|-------------|------------------------------|
| 1 | Body | Ductile Iron GGG40 |
| 2 | Disc | Stainless Steel 316 |
| 3 | Upper Shaft | Stainless Steel 420 |
| 4 | Lower Shaft | Stainless Steel 420 |
| 5 | Seat | EPDM |
| 6 | Bushing | PTFE |
| 7 | Cotter Pin | Plated Steel 65Mn |
| 8 | Circlip | Plated Steel 65Mn |
| 9 | O-Ring | NBR |
| 10 | Ring | Nylon PA6 |
| 11 | Bolt | Stainless Steel 304 |
| 12 | Gearbox | DN50-300 Aluminium. DN350 DI |

Ductile Iron Butterfly Valve Double Flanged Type

Features

- Flange Mounting PN16 Only
- BS5155 (BS EN 593)
- ISO 5211 Direct Mount
- Gearbox
- Epoxy Paint Finish
- Vulcanised Liner
- BS EN558-1 Series 13

Pressure/Temperature



| | 400 | 450 | 500 | 600 | 700 | 800 | 900 | 1000 | 1200 |
|--------|-------|-------|-------|-------|-------|-------|-------|-------|-------|
| G | 375 | 375 | 375 | 441 | 538 | 538 | 627 | 627 | 645 |
| B | 264 | 264 | 264 | 307 | 364 | 364 | 430 | 430 | 465 |
| A | 300 | 300 | 300 | 300 | 430 | 430 | 430 | 430 | 430 |
| C | 131 | 131 | 131 | 138 | 159 | 159 | 228 | 228 | 253 |
| H1 | 340 | 375 | 430 | 500 | 560 | 620 | 685 | 735 | 917 |
| H2 | 303 | 340 | 373 | 435 | 505 | 555 | 630 | 695 | 805 |
| n-ØP | 16-31 | 20-31 | 20-34 | 20-37 | 24-37 | 24-41 | 28-41 | 28-44 | 32-50 |
| D | 525 | 585 | 650 | 770 | 840 | 950 | 1050 | 1170 | 1390 |
| D1 | 580 | 640 | 715 | 840 | 910 | 1025 | 1125 | 1255 | 1485 |
| d | 100.5 | 100.5 | 100.5 | 130.5 | 200 | 200 | 200 | 200 | 230 |
| H | 52 | 52 | 64 | 70 | 65 | 65 | 125 | 142 | 142 |
| h | | | | | 6 | 6 | 9 | 9 | 10 |
| W | | | | | 16 | 16 | 22 | 22 | 28 |
| L | 216 | 222 | 229 | 267 | 292 | 318 | 330 | 410 | 470 |
| d3 | | | | | 63.4 | 63.4 | 75 | 85 | 105 |
| ExE | 27 | 27 | 27 | 36 | | | | | |
| n-Øp | 4-18 | 4-18 | 4-18 | 4-23 | 8-18 | 8-18 | 8-18 | 8-18 | 8-22 |
| d1 | 175 | 175 | 175 | 210 | 300 | 300 | 300 | 300 | 350 |
| d2 | 140 | 140 | 140 | 165 | 254 | 254 | 254 | 254 | 298 |
| ISO | F14 | F14 | F14 | F16 | F25 | F25 | F25 | F25 | F30 |
| Torque | 1755 | 1950 | 2773 | 5070 | 7670 | 9100 | 13350 | 19500 | 34500 |

| N. | Part Name | Materials |
|----|------------------|---|
| 1 | Body | Ductile Iron GGG40 |
| 2 | Disc | Stainless Steel 316 |
| 3 | Upper Shaft | DN400-600 St St 420. DN700-1200 St St 431 |
| 4 | Lower Shaft | DN400-600 St St 420. DN700-1200 St St 431 |
| 5 | Seat | EPDM |
| 6 | Bushing | DN400-600 PTFE. DN700-1200 Brass H59 |
| 7 | Cotter Pin | Plated Steel 65Mn |
| 8 | Circlip | Plated Steel 65Mn |
| 9 | O-Ring | NBR |
| 10 | Ring | Nylon PA6 |
| 11 | Bolt | Stainless Steel 304 |
| 12 | Gearbox | Ductile Iron |
| 13 | End Cover | Ductile Iron GGG40 |
| 14 | Pressure Bearing | Steel |

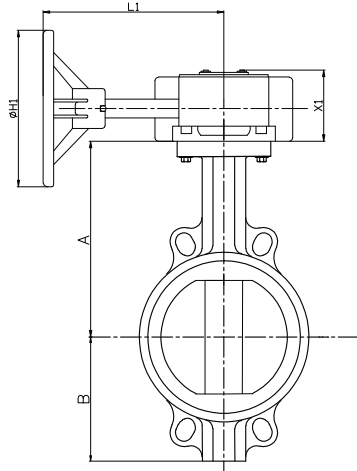
Technical Data

| | |
|---------------------|-----------------|
| Maximum Pressure | 16 Bar |
| Working Temperature | -10°C to +110°C |

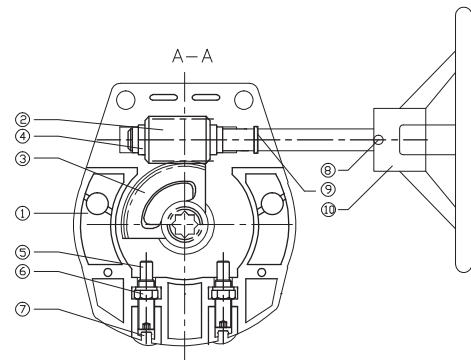
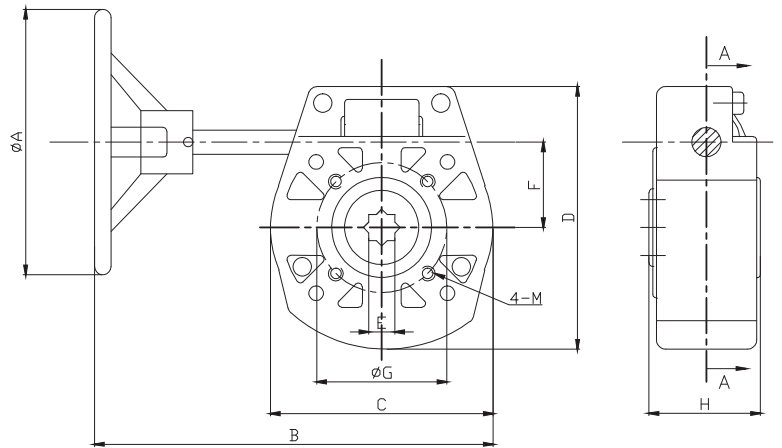
Dimensions in mm

This data sheet is designed as a guide and should not be regarded as wholly accurate in every detail. We reserve the right to amend the specification of any product without notice.

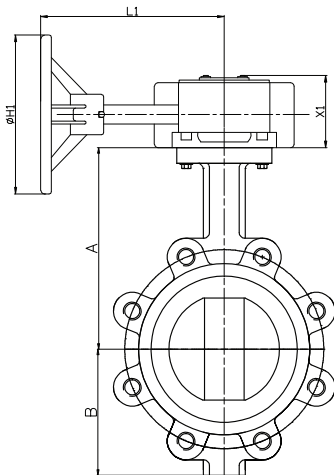
Gearbox when fitted to ART110, 115, 120



| DN | 50 | 65 | 80 | 100 | 125 | 150 | 200 | 250 | 300 |
|----|-----|-----|-----|-----|-----|-----|-----|-----|-----|
| A | 142 | 154 | 161 | 179 | 193 | 204 | 250 | 282 | 326 |
| B | 60 | 78 | 87 | 105 | 120 | 138 | 174 | 209 | 242 |
| H1 | 134 | 134 | 134 | 134 | 134 | 134 | 215 | 215 | 215 |
| L1 | 145 | 145 | 145 | 145 | 145 | 145 | 216 | 216 | 216 |
| X1 | 62 | 62 | 62 | 62 | 62 | 62 | 71 | 71 | 71 |



Gearbox when fitted to ART135, 145



| DN | 50 | 65 | 80 | 100 | 125 | 150 | 200 | 250 | 300 |
|----|-----|-----|-----|-----|-----|-----|-----|-----|-----|
| A | 142 | 154 | 161 | 179 | 193 | 204 | 250 | 282 | 326 |
| B | 75 | 80 | 91 | 110 | 125 | 137 | 178 | 208 | 241 |
| H1 | 134 | 134 | 134 | 134 | 134 | 134 | 215 | 215 | 215 |
| L1 | 145 | 145 | 145 | 145 | 145 | 145 | 216 | 216 | 216 |
| X1 | 62 | 62 | 62 | 62 | 62 | 62 | 71 | 71 | 71 |

| DN | 2"-6" | 8"-12" |
|-----|-------|--------|
| A | 134 | 215 |
| B | 205 | 302 |
| C | 120 | 172 |
| D | 132 | 189 |
| E | 14 | 22 |
| F | 46 | 70 |
| G | 70 | 102 |
| H | 62 | 72 |
| 4-M | 4-M8 | 4-M10 |

| N. | Part Name | Materials |
|----|-------------|--------------|
| 1 | Body | Aluminium |
| 2 | Worm Gear | Carbon Steel |
| 3 | Worm Wheel | Ductile Iron |
| 4 | Bushing | Brass |
| 5 | Limit Bolt | Carbon Steel |
| 6 | Stop Nut | Carbon Steel |
| 7 | Rubber Plug | Rubber |
| 8 | Pin | Carbon Steel |
| 9 | O-Ring | NBR |
| 10 | Hand Wheel | Aluminium |

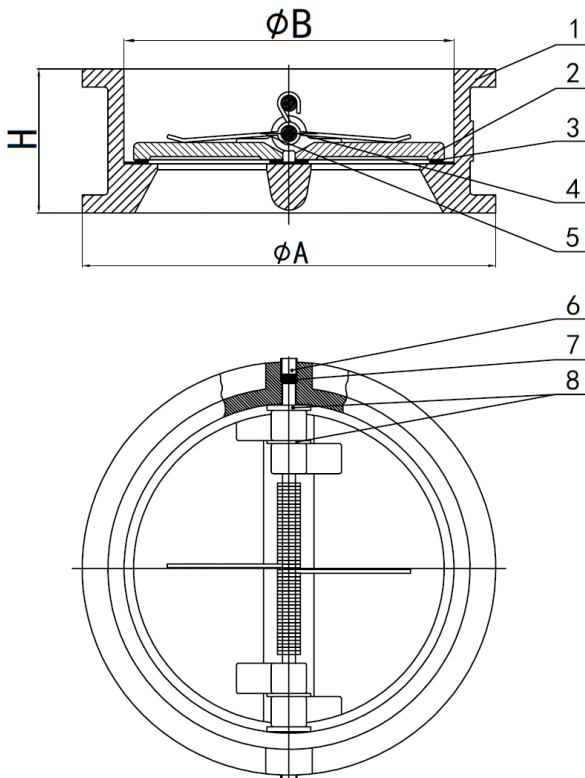
Dimensions in mm

This data sheet is designed as a guide and should not be regarded as wholly accurate in every detail. We reserve the right to amend the specification of any product without notice.

Cast Iron Dual Plate Wafer Check Valve

Features

- Universal Flange Mounting to suit BS EN 1092 PN10 / PN16 and ANSI B16.42 Class 150
- Conforms to BS EN 558-1 Series 16
- Epoxy Coat Finish



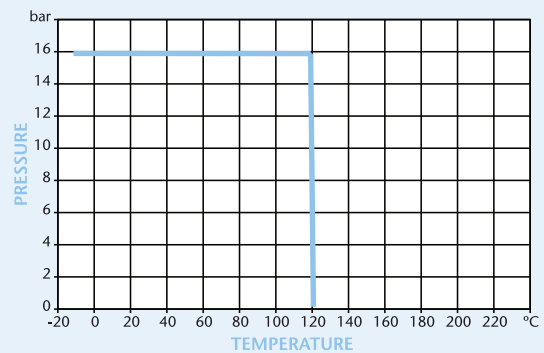
Technical Data

Maximum Pressure 16 Bar
Working Temperature -10°C to +120°C

Dimensions in mm

This data sheet is designed as a guide and should not be regarded as wholly accurate in every detail. We reserve the right to amend the specification of any product without notice.

Pressure/Temperature



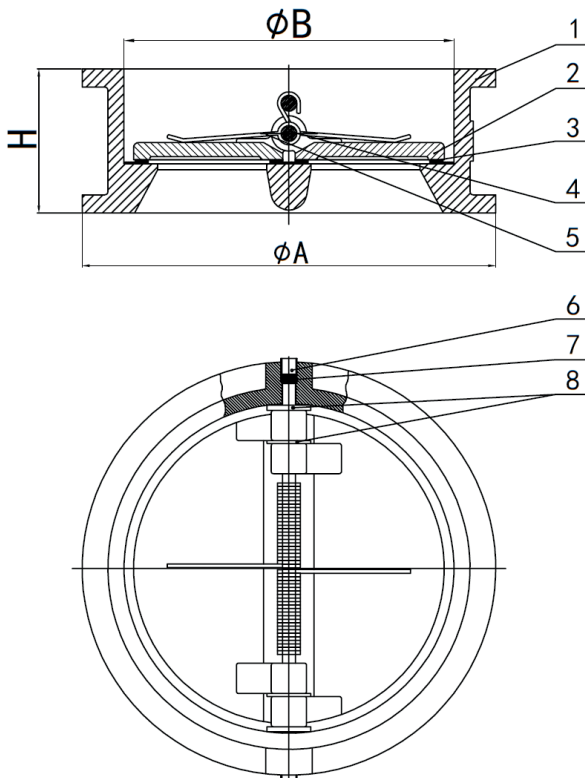
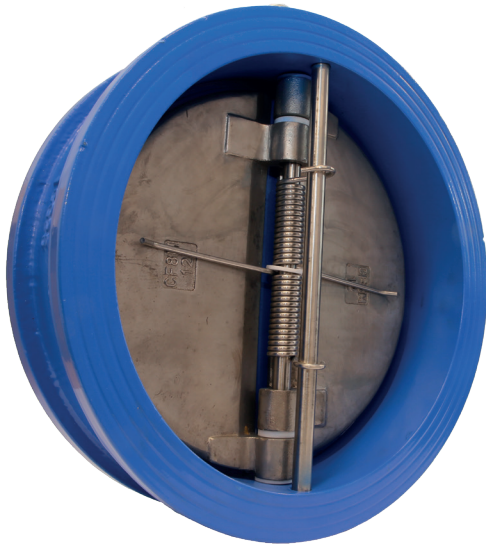
| DN | 50 | 65 | 80 | 100 | 125 | 150 | 200 | 250 | 300 |
|-----|-----|-----|-----|-----|-----|-----|-----|-----|-----|
| A | 107 | 127 | 142 | 162 | 192 | 218 | 273 | 328 | 378 |
| B | 65 | 80 | 94 | 117 | 145 | 170 | 224 | 265 | 310 |
| H | 43 | 46 | 64 | 64 | 70 | 76 | 89 | 114 | 114 |
| Kgs | 2 | 2.5 | 3.5 | 5 | 6 | 9 | 15 | 27 | 38 |

| N. | Part Name | Materials |
|----|-----------|----------------------|
| 1 | Body | Cast Iron GG25 |
| 2 | Disc | Stainless Steel CF8M |
| 3 | Seat | EPDM |
| 4 | Shaft | Stainless Steel 420 |
| 5 | Spring | Stainless Steel 316 |
| 6 | Plug | Steel |
| 7 | Plug | NBR |
| 8 | Washer | PTFE |

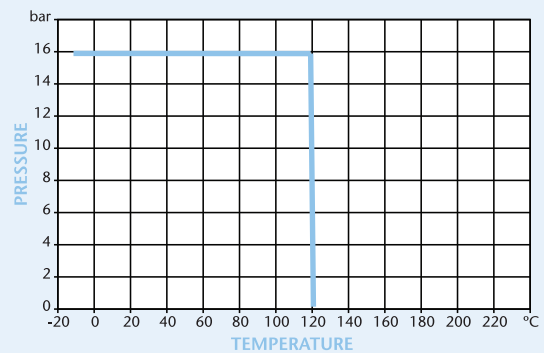
Cast Iron Dual Plate Wafer Check Valve

Features

- Flange Mounting to suit BS EN 1092 PN16 only
- Conforms to BS EN 558-1 Series 16
- Epoxy Coat Finish



Pressure/Temperature



| DN | 350 | 400 | 450 | 500 | 600 |
|-----|-----|-----|-----|-----|-----|
| A | 442 | 495 | 555 | 617 | 734 |
| B | 360 | 410 | 450 | 505 | 624 |
| H | 127 | 140 | 152 | 152 | 178 |
| Kgs | 69 | 80 | 103 | 118 | 192 |

| N. | Part Name | Materials |
|----|-----------|----------------------|
| 1 | Body | Cast Iron GG25 |
| 2 | Disc | Stainless Steel CF8M |
| 3 | Seat | EPDM |
| 4 | Shaft | Stainless Steel 420 |
| 5 | Spring | Stainless Steel 316 |
| 6 | Plug | Steel |
| 7 | Plug | NBR |
| 8 | Washer | PTFE |

Technical Data

Maximum Pressure 16 Bar
Working Temperature -10°C to +120°C

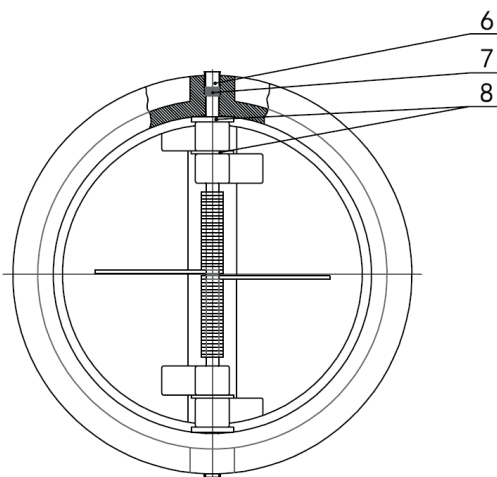
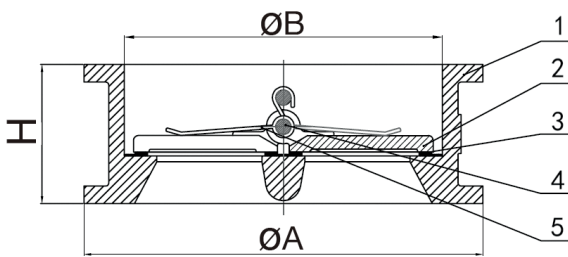
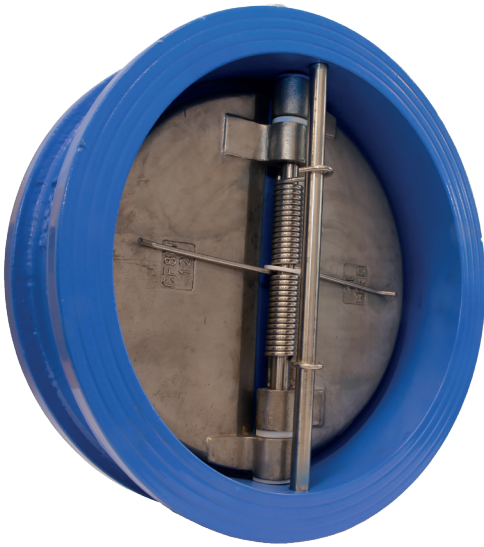
Dimensions in mm

This data sheet is designed as a guide and should not be regarded as wholly accurate in every detail. We reserve the right to amend the specification of any product without notice.

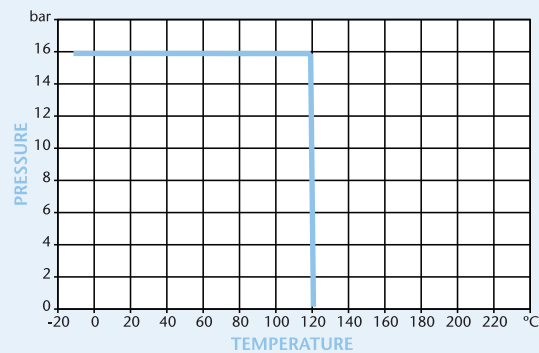
Cast Iron Dual Plate Wafer Check Valve

Features

- Flange Mounting to suit ANSI B16.42 Class 150 only
- Conforms to API 594
- Epoxy Coat Finish



Pressure/Temperature



| DN | 350 | 400 | 450 | 500 | 600 |
|-----|-----|-----|-----|-----|-----|
| A | 447 | 511 | 546 | 603 | 714 |
| B | 375 | 416 | 467 | 514 | 616 |
| H | 184 | 191 | 203 | 219 | 222 |
| Kgs | 69 | 80 | 103 | 118 | 192 |

| N. | Part Name | Materials |
|----|-----------|----------------------|
| 1 | Body | Cast Iron GG25 |
| 2 | Disc | Stainless Steel CF8M |
| 3 | Seat | EPDM |
| 4 | Shaft | Stainless Steel 410 |
| 5 | Spring | Stainless Steel 316 |
| 6 | Plug | Steel |
| 7 | Plug | NBR |
| 8 | Washer | PTFE |

Technical Data

Maximum Pressure 16 Bar

Working Temperature -10°C to +120°C

Dimensions in mm

This data sheet is designed as a guide and should not be regarded as wholly accurate in every detail. We reserve the right to amend the specification of any product without notice.

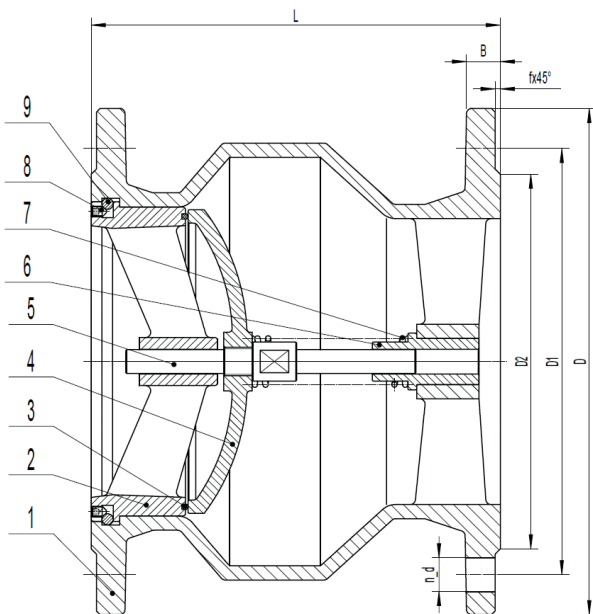
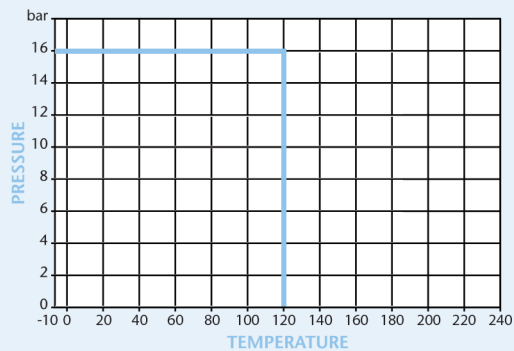
PN16 Ductile Iron Silent Check Valve

Features

- Flange conforms to BS EN1092 PN16
- Valve design conforms to BS EN12334
- Valve inspection and testing in accordance with BS EN12266



Pressure/Temperature



| | 2" | 2½" | 3" | 4" | 5" | 6" | 8" | 10" | 12" | 14" | 16" |
|-----|------|------|------|------|------|------|-------|-------|-------|-------|-------|
| L | 133 | 140 | 152 | 185 | 216 | 230 | 259 | 362 | 393 | 400 | 448 |
| D | 165 | 185 | 200 | 220 | 250 | 285 | 340 | 405 | 460 | 520 | 580 |
| D1 | 125 | 145 | 160 | 180 | 210 | 240 | 295 | 355 | 410 | 470 | 525 |
| D2 | 99 | 118 | 132 | 156 | 184 | 211 | 266 | 319 | 370 | 429 | 480 |
| B | 19 | 19 | 19 | 19 | 19 | 19 | 20 | 22 | 24.5 | 26.5 | 28 |
| f | 3 | 3 | 3 | 3 | 3 | 3 | 3 | 3 | 4 | 4 | 4 |
| n-d | 4-19 | 4-19 | 8-19 | 8-19 | 8-19 | 8-23 | 12-12 | 12-28 | 12-28 | 16-28 | 16-31 |
| Kgs | 7.6 | 9.4 | 10.2 | 13.6 | 18.7 | 25.1 | 39.6 | 70.1 | 95.2 | 143.4 | 196 |

Technical Data

| | |
|---------------------|-----------------|
| Max Pressure | 16 Bar |
| Working Temperature | -10°C to +120°C |

Dimensions in mm

This data sheet is designed as a guide and should not be regarded as wholly accurate in every detail. We reserve the right to amend the specification of any product without notice.

| N. | Part Name | Materials |
|----|-----------|--|
| 1 | Body | Ductile Iron - BS EN1563 EN-GJS-450-10 |
| 2 | Seat Body | Ductile Iron - BS EN1563 EN-GJS-450-10 |
| 3 | Seat | EPDM |
| 4 | Disc | Ductile Iron - BS EN1563 EN-GJS-450-10 |
| 5 | Stem | Stainless Steel - BS970 304S15 |
| 6 | Bushing | Brass - BS2874 CZ122 |
| 7 | Spring | Stainless Steel - BS970 304S15 |
| 8 | Screw | Stainless Steel - BS970 304S15 |
| 9 | Ball | Stainless Steel - BS970 304S15 |

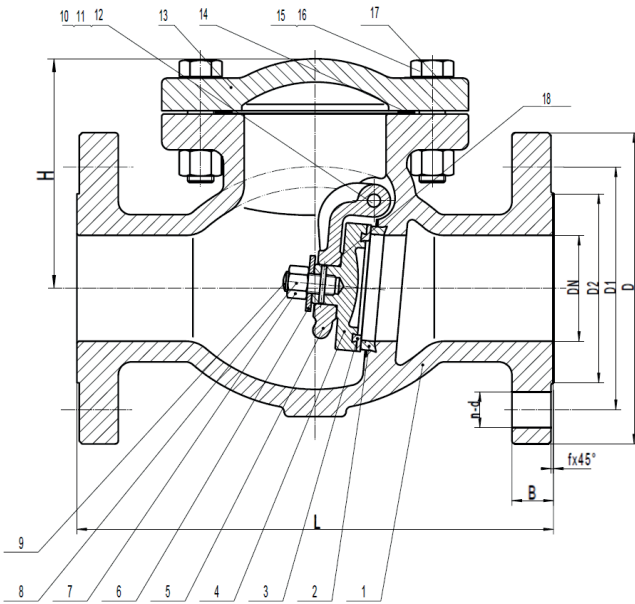
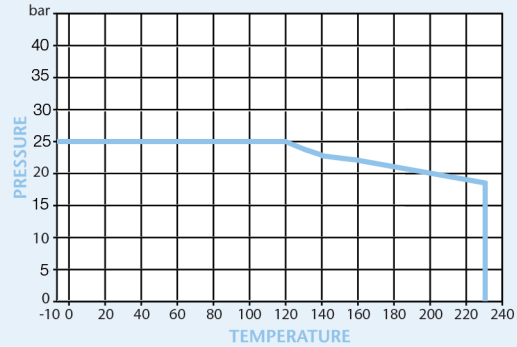
PN25 Cast Iron Swing Check Valve

Features

- Flange Mounting PN25 Only
- Flange conforms to BS EN1092 PN25
- BS5153 (BS EN 558-1 Series 21)



Pressure/Temperature



| | 2" | 2½" | 3" | 4" | 5" | 6" | 8" | 10" | 12" |
|-----|------|------|------|------|------|-------|-------|-------|-------|
| L | 267 | 292 | 318 | 356 | 400 | 444 | 533 | 622 | 711 |
| D | 165 | 191 | 210 | 254 | 279 | 318 | 381 | 445 | 521 |
| D1 | 125 | 145 | 160 | 190 | 220 | 250 | 310 | 370 | 430 |
| D2 | 99 | 118 | 132 | 156 | 184 | 211 | 274 | 330 | 389 |
| B | 22.2 | 25.4 | 28.6 | 31.8 | 34.9 | 36.5 | 41.3 | 47.6 | 50.8 |
| n-d | 4-19 | 8-19 | 8-19 | 8-23 | 8-28 | 8-28 | 12-28 | 12-31 | 16-31 |
| f | 3 | 3 | 3 | 3 | 3 | 3 | 3 | 3 | 4 |
| H | 135 | 150 | 166 | 190 | 206 | 244 | 291 | 337 | 383 |
| Kgs | 17.6 | 31 | 35.8 | 55.7 | 80.4 | 110.9 | 180 | 277 | 408.5 |

| N. | Part Name | Materials |
|----|----------------------|--|
| 1 | Body | Cast Iron - BS EN1561 EN-GJL-250 |
| 2 | Seat Ring | Cast Bronze - BS1400 LG2 |
| 3 | Disc Ring | Cast Bronze - BS1400 LG2 |
| 4 | Disc | Cast Iron - BS EN1561 EN-GJL-250 |
| 5 | Hanger | Ductile Iron - BS EN1563 EN-GJS-450-10 |
| 6 | Washer | Stainless Steel - BS970 304S15 |
| 7 | Nut | Stainless Steel - BS970 304S15 |
| 8 | Split Pin | Stainless Steel - BS970 304S15 |
| 9 | Disc Screw | Stainless Steel - BS970 304S15 |
| 10 | Side Pin | Brass - BS2874 CZ122 |
| 11 | Gasket | Teflon |
| 12 | Hanger Pin | Stainless Steel - BS970 304S15 |
| 13 | Bonnet | Cast Iron - BS EN1561 EN-GJL-250 |
| 14 | Gasket | EPDM - BS EN681-1 IRHD66-75 |
| 15 | Bolt | Stainless Steel - BS970 304S15 |
| 16 | Nut | Stainless Steel - BS970 304S15 |
| 17 | Identification Plate | Aluminium |
| 18 | Pin | Stainless Steel - BS970 304S15 |

Technical Data

Maximum Pressure 25 Bar
 Working Temperature -10°C to +230°C

Dimensions in mm

This data sheet is designed as a guide and should not be regarded as wholly accurate in every detail. We reserve the right to amend the specification of any product without notice.

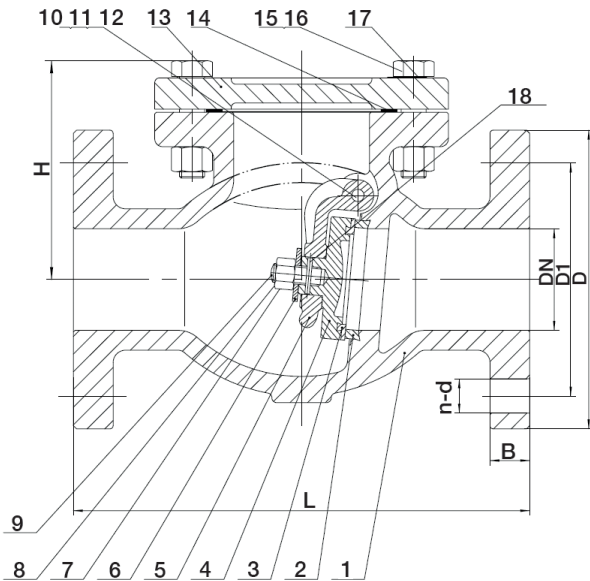
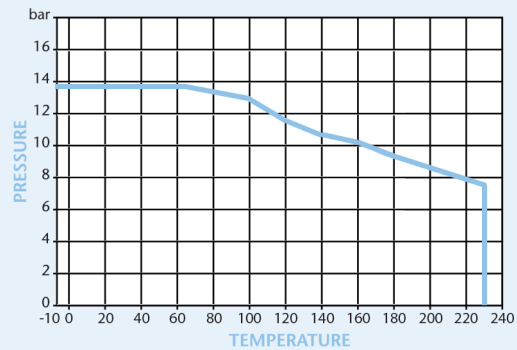
ANSI Cast Iron Swing Check Valve

Features

- Flanged ANSI 125 (B16.1)
- Class 125 Rated
- Conforms to ASME B16.10
- Conforms to MSS SP-71



Pressure/Temperature



| | 2" | 2½" | 3" | 4" | 5" | 6" | 8" | 10" | 12" | 14" | 16" | 18" | 20" | 24" |
|-----|------|------|------|-----|------|------|-------|------|------|-------|------|-----|------|------|
| L | 203 | 216 | 241 | 292 | 330 | 356 | 495 | 622 | 699 | 787 | 914 | 914 | 1016 | 1219 |
| D | 152 | 178 | 190 | 229 | 254 | 279 | 343 | 406 | 483 | 533 | 597 | 635 | 699 | 813 |
| D1 | 121 | 140 | 153 | 191 | 216 | 241 | 299 | 362 | 432 | 476 | 540 | 578 | 635 | 750 |
| B | 16 | 18 | 19 | 24 | 24 | 25 | 29 | 30 | 32 | 35 | 37 | 40 | 43 | 48 |
| n-d | 4- | 4- | 4- | 8- | 8- | 8- | 8- | 12- | 12- | 12- | 16- | 16- | 20- | 20- |
| | 19 | 19 | 19 | 19 | 22.2 | 22.2 | 22.2 | 25.4 | 25.4 | 28.6 | 28.6 | 32 | 32 | 35 |
| H | 112 | 132 | 141 | 162 | 192 | 211 | 270 | 316 | 357 | 560 | 589 | 645 | 702 | 812 |
| Kgs | 11.6 | 17.5 | 21.4 | 37 | 56.2 | 72.4 | 122.7 | 201 | 291 | 418.5 | 520 | 656 | 832 | 1260 |

| N. | Part Name | Materials |
|----|----------------------|------------------------------------|
| 1 | Body | Cast Iron - ASTM A 126-B |
| 2 | Seat Ring | Cast Bronze - ASTM B 62 |
| 3 | Disc Ring | Cast Bronze - ASTM B 62 |
| 4 | Disc | Cast Iron - ASTM A 126-B |
| 5 | Hanger | Ductile Iron - ASTM A 536 65-45-12 |
| 6 | Washer | Steel |
| 7 | Nut | Steel |
| 8 | Split Pin | Stainless Steel - ASTM 304 |
| 9 | Disc Screw | Steel |
| 10 | Side Pin | Brass - ASTM B 16 |
| 11 | Gasket | Teflon |
| 12 | Hanger Pin | Stainless Steel - ASTM 304 |
| 13 | Bonnet | Cast Iron - ASTM A 126-B |
| 14 | Gasket | Graphite - Non-Asbestos |
| 15 | Bolt | Steel - ASTM A 307-B |
| 16 | Nut | Steel - ASTM A 563-B |
| 17 | Identification Plate | Aluminium |
| 18 | Pin | Stainless Steel - ASTM 304 |

Technical Data

Maximum Pressure 13.8 Bar
 Working Temperature -10°C to +230°C

Dimensions in mm

This data sheet is designed as a guide and should not be regarded as wholly accurate in every detail. We reserve the right to amend the specification of any product without notice.

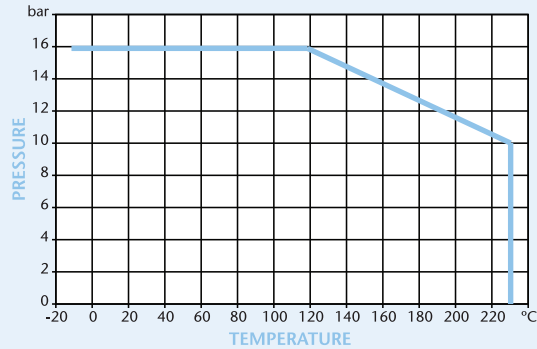
PN16 Cast Iron Swing Check Valve

Features

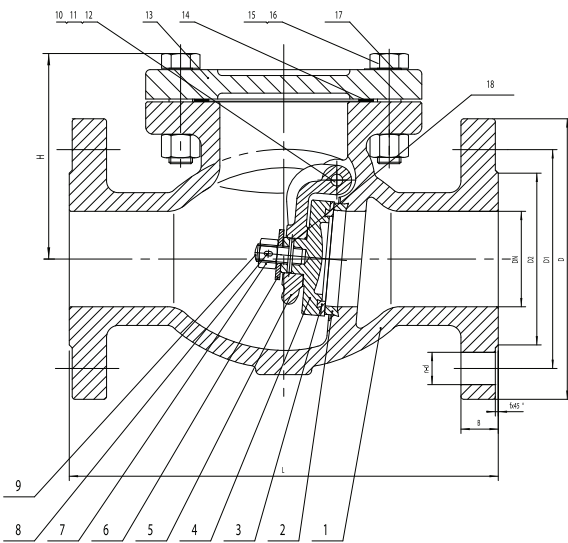
- Flange Mounting PN16 Only
- Flange conforms to BS EN1092 PN16
- BS5153 (BS EN 558-1 Series 10)



Pressure/Temperature



| DN | 50 | 65 | 80 | 100 | 125 | 150 | 200 | 250 | 300 | 350 | 400 | 450 | 500 | 600 |
|-----|------|------|------|------|------|------|-------|-------|-------|-------|-------|-------|-------|-------|
| L | 203 | 216 | 241 | 292 | 330 | 356 | 495 | 622 | 699 | 787 | 914 | 914 | 1016 | 1219 |
| D | 165 | 185 | 200 | 220 | 250 | 285 | 340 | 405 | 460 | 520 | 580 | 640 | 715 | 840 |
| D1 | 125 | 145 | 160 | 180 | 210 | 240 | 295 | 355 | 410 | 470 | 525 | 585 | 650 | 770 |
| D2 | 99 | 118 | 132 | 156 | 184 | 211 | 266 | 319 | 370 | 429 | 480 | 548 | 609 | 720 |
| B | 20 | 20 | 22 | 24 | 26 | 26 | 30 | 32 | 32 | 36 | 38 | 40 | 42 | 48 |
| f | 3 | 3 | 3 | 3 | 3 | 3 | 3 | 3 | 4 | 4 | 4 | 4 | 4 | 5 |
| n-d | 4-19 | 4-19 | 8-19 | 8-19 | 8-19 | 8-23 | 12-23 | 12-28 | 12-28 | 16-28 | 16-31 | 20-31 | 20-34 | 20-37 |
| H | 112 | 132 | 141 | 162 | 192 | 211 | 270 | 316 | 357 | 560 | 589 | 645 | 702 | 812 |
| kgs | 11.6 | 17.5 | 21.4 | 37 | 56.2 | 72.4 | 123 | 201 | 291 | 419 | 520 | 656 | 832 | 1260 |



| N. | Part Name | Materials |
|----|----------------------|---|
| 1 | Body | Cast Iron - BS EN1561 EN-GJL-250 |
| 2 | Seat Ring | Cast Bronze - BS1400 LG2 |
| 3 | Disc Ring | Cast Bronze - BS1400 LG2 |
| 4 | Disc Ring | Cast Iron - BS EN1561 EN-GJL-250 |
| 5 | Hanger | Ductile Cast Iron - BS EN1563 EN-GJS-450-10 |
| 6 | Washer | Steel - BS970 43A |
| 7 | Nut | Steel - BS970 43A |
| 8 | Split Pin | Stainless Steel - BS970 304S15 |
| 9 | Disc Screw | Steel - BS970 43A |
| 10 | Side Pin | Brass - BS2874 CZ122 |
| 11 | Gasket | Soft Steel Cardboard |
| 12 | Hanger Pin | Stainless Steel - BS970 304S15 |
| 13 | Bonnet | Cast Iron - BS EN1561 EN-GJL-250 |
| 14 | Gasket | Graphite |
| 15 | Bolt | Steel - BS970 43A |
| 16 | Nut | Steel - BS970 43A |
| 17 | Identification Plate | Aluminium |
| 18 | Pin | Stainless Steel - BS970 304S15 |

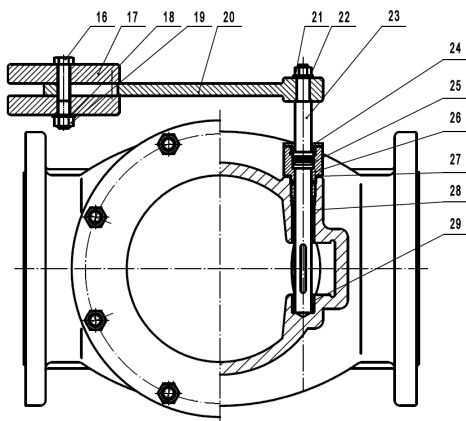
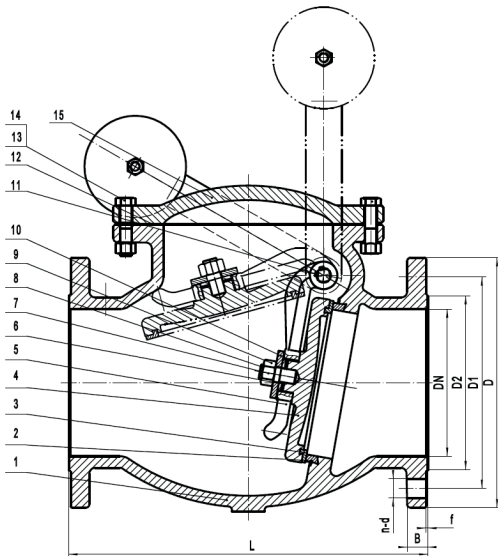
Technical Data

Maximum Pressure 16 Bar
 Working Temperature -10°C to +230°C

Dimensions in mm

This data sheet is designed as a guide and should not be regarded as wholly accurate in every detail. We reserve the right to amend the specification of any product without notice.

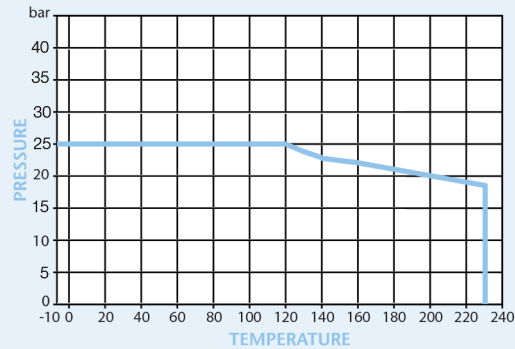
PN25 Cast Iron Swing Check Valve, Lever & Weight



Features

- Flange Mounting to PN25 Only
- Flange conforms to BS EN1092 PN25
- Conforms to BS5153 (BS EN558-1)

Pressure/Temperature



| | 50 | 65 | 80 | 100 | 125 | 150 | 200 | 250 | 300 |
|-----|------|------|------|------|------|------|-------|-------|-------|
| L | 267 | 292 | 318 | 356 | 400 | 444 | 533 | 622 | 711 |
| D | 165 | 185 | 200 | 235 | 270 | 300 | 360 | 425 | 485 |
| D1 | 125 | 145 | 160 | 190 | 220 | 250 | 310 | 370 | 430 |
| D2 | 99 | 118 | 132 | 156 | 185 | 211 | 274 | 330 | 389 |
| B | 22 | 25 | 29 | 32 | 35 | 37 | 41 | 48 | 51 |
| f | 3 | 3 | 3 | 3 | 3 | 3 | 3 | 3 | 4 |
| n-d | 4-19 | 8-19 | 8-19 | 8-23 | 8-28 | 8-28 | 12-28 | 12-31 | 16-31 |

| N. | Part Name | Materials |
|----|------------------|--------------------------------|
| 1 | Body | Cast Iron - BS1452 Gr.220 |
| 2 | Seat Ring | Cast Bronze - BS1400 LG2 |
| 3 | Disc Ring | Cast Bronze - BS1400 LG2 |
| 4 | Disc | Cast Iron - BS1452 Gr.220 |
| 5 | Hanger | Ductile Iron - BS2789 Gr500-7 |
| 6 | Pin | Stainless Steel - BS970 304S15 |
| 7 | Split Pin | Stainless Steel - BS970 304S15 |
| 8 | Disc Screw | Steel - BS970 43A |
| 9 | Nut | Steel - BS970 43A |
| 10 | Washer | Steel - BS970 43A |
| 11 | Bond | Steel - BS970 43A |
| 12 | Gasket | Soft Steel Cardboard |
| 13 | Bolt | Steel - BS970 43A |
| 14 | Nut | Steel - BS970 43A |
| 15 | Bonnet | Cast Iron - BS1452 Gr.220 |
| 16 | Bolt | Steel - BS970 43A |
| 17 | Balance Weight | Cast Iron - BS1452 Gr.220 |
| 18 | Washer | Steel - BS970 43A |
| 19 | Nut | Steel - BS970 43A |
| 20 | Connecting Lever | Ductile Iron - BS2789 Gr.500-7 |
| 21 | Nut | Steel - BS970 43A |
| 22 | Washer | Steel - BS970 43A |
| 23 | Hanger Axle | Stainless Steel - BS970 304S15 |
| 24 | Gland Nut | Brass - BS2874 CZ122 |
| 25 | Gland | Brass - BS2874 CZ122 |
| 26 | O-Ring | EPDM |
| 27 | Washer | Teflon |
| 28 | Outside Bush | Brass - BS2874 CZ122 |
| 29 | Inside Bush | Brass - BS2874 CZ122 |

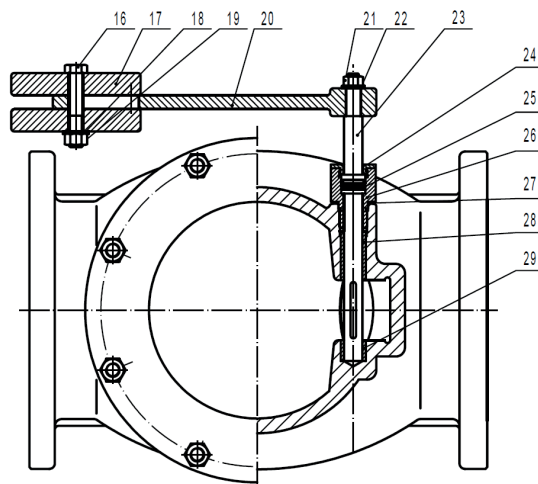
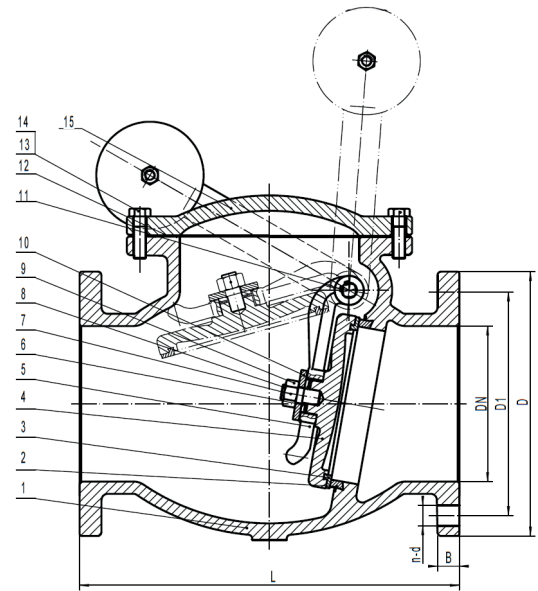
Technical Data

| | |
|---------------------|-----------------|
| Max Pressure | 25 Bar |
| Working Temperature | -10°C to +230°C |

Dimensions in mm

This data sheet is designed as a guide and should not be regarded as wholly accurate in every detail. We reserve the right to amend the specification of any product without notice.

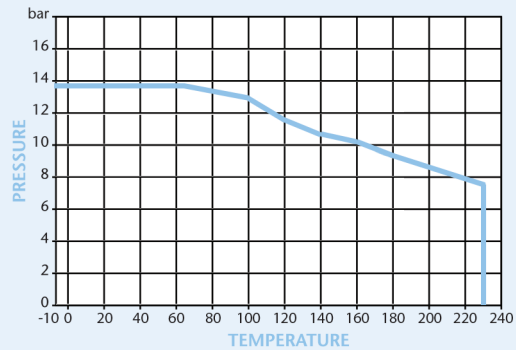
ANSI Cast Iron Swing Check Valve, Lever & Weight



Features

- Flanged ANSI 125 (B16.1)
- Class 125 Rated
- Conforms to ASME B16.10
- Conforms to MSS SP-71

Pressure/Temperature



| | 2" | 2½" | 3" | 4" | 5" | 6" | 8" | 10" | 12" | 14" | 16" | 18" | 20" | 24" |
|-----|------|------|------|-----|-----|------|-------|-----|-----|-----|-----|-----|------|-------|
| L | 203 | 216 | 241 | 292 | 330 | 356 | 495 | 622 | 699 | 787 | 914 | 914 | 1016 | 1219 |
| D | 152 | 178 | 190 | 229 | 254 | 279 | 343 | 406 | 483 | 533 | 597 | 635 | 699 | 813 |
| D1 | 121 | 140 | 153 | 191 | 216 | 241 | 299 | 362 | 432 | 476 | 540 | 578 | 635 | 750 |
| B | 16 | 18 | 19 | 24 | 24 | 25 | 29 | 30 | 32 | 35 | 37 | 40 | 43 | 48 |
| n-d | 4- | 4- | 4- | 8- | 8- | 8- | 8- | 12- | 12- | 12- | 16- | 16- | 20- | 20-35 |
| Kgs | 13.8 | 19.5 | 23.6 | 38 | 59 | 79.6 | 126.9 | 243 | 291 | 456 | 586 | 710 | 900 | 1350 |

| N. | Part Name | Materials |
|----|------------------|----------------------------|
| 1 | Body | Cast Iron - ASTM A 126-B |
| 2 | Seat Ring | Cast Bronze - ASTM B 62 |
| 3 | Disc Ring | Cast Bronze - ASTM B 62 |
| 4 | Disc | Cast Iron - ASTM A 126 B |
| 5 | Hanger | Ductile Iron - ASTM A536 |
| 6 | Pin | Stainless Steel - ASTM 304 |
| 7 | Split Pin | Stainless Steel - ASTM 304 |
| 8 | Disc Screw | Steel |
| 9 | Nut | Steel |
| 10 | Washer | Steel |
| 11 | Bond | Steel |
| 12 | Gasket | Teflon |
| 13 | Bolt | Steel |
| 14 | Nut | Steel |
| 15 | Bonnet | Cast Iron - ASTM A 126-B |
| 16 | Bolt | Steel |
| 17 | Balance Weight | Cast Iron - ASTM A 126-B |
| 18 | Washer | Steel |
| 19 | Nut | Steel |
| 20 | Connecting Lever | Ductile Iron - ASTM A536 |
| 21 | Nut | Steel |
| 22 | Washer | Steel |
| 23 | Hanger Axle | Stainless Steel - ASTM 304 |
| 24 | Gland | Brass - ASTM B 16 |
| 25 | O-Ring | EPDM |
| 26 | Stuffing Box | Brass - ASTM B 16 |
| 27 | Washer | Teflon |
| 28 | Outside Bush | Brass - ASTM B 16 |
| 29 | Inside Bush | Brass - ASTM B 16 |

Technical Data

| | |
|---------------------|-----------------|
| Max Pressure | 13.8 Bar |
| Working Temperature | -10°C to +230°C |

Dimensions in mm

This data sheet is designed as a guide and should not be regarded as wholly accurate in every detail. We reserve the right to amend the specification of any product without notice.

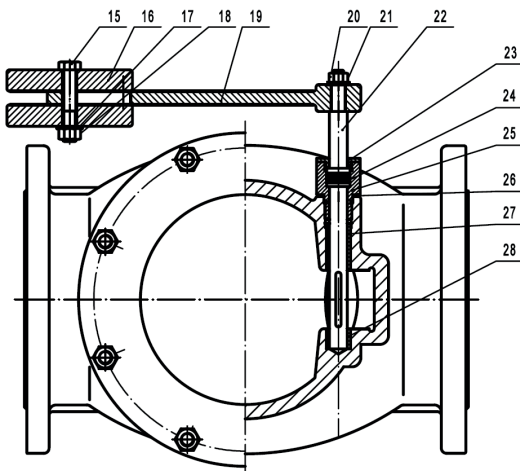
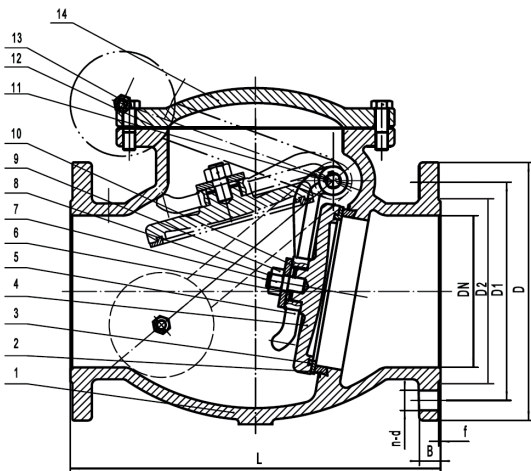
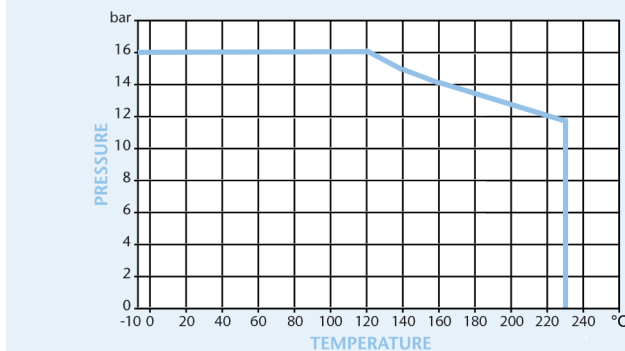
PN16 Cast Iron Swing Check Valve, Lever & Weight



Features

- Flange Mounting PN16 Only
- Flange conforms to BS EN1092 PN16
- Conforms to BS EN12334
- Sizes DN50-400 conform to BS 5153 (BS EN558-1 Series 10)

Pressure/Temperature



| | 50 | 65 | 80 | 100 | 125 | 150 | 200 | 250 | 300 | 350 | 400 | 450 | 500 | 600 |
|-----|------|------|------|------|------|------|-------|-------|-------|-------|-------|-------|-------|-------|
| L | 203 | 216 | 241 | 292 | 330 | 356 | 495 | 622 | 699 | 787 | 914 | 914 | 1016 | 1219 |
| D | 165 | 185 | 200 | 220 | 250 | 285 | 340 | 405 | 460 | 520 | 580 | 640 | 715 | 840 |
| D1 | 125 | 145 | 160 | 180 | 210 | 240 | 295 | 355 | 410 | 470 | 525 | 585 | 650 | 770 |
| D2 | 99 | 118 | 132 | 156 | 184 | 211 | 266 | 319 | 3780 | 429 | 480 | 548 | 609 | 720 |
| B | 20 | 20 | 22 | 24 | 26 | 26 | 30 | 32 | 32 | 36 | 38 | 40 | 42 | 48 |
| n-d | 4-19 | 4-19 | 8-19 | 8-19 | 8-19 | 8-23 | 12-23 | 12-28 | 12-28 | 16-28 | 16-31 | 20-31 | 20-34 | 20-37 |
| f | 3 | 3 | 3 | 3 | 3 | 3 | 3 | 3 | 4 | 4 | 4 | 4 | 4 | 5 |
| Kgs | 13.8 | 19.5 | 23.6 | 38 | 59 | 79.6 | 126.9 | 243 | 291 | 456 | 586 | 710 | 900 | 1350 |

| N. | Part Name | Materials |
|----|------------------|--|
| 1 | Body | Cast Iron - BS EN1561 EN-GJL-250 |
| 2 | Seat Ring | Cast Bronze - BS1400 LG2 |
| 3 | Disc Ring | Cast Bronze - BS1400 LG2 |
| 4 | Disc | Cast Iron - BS EN1561 EN-GJL-250 |
| 5 | Hanger | Ductile Iron - BS EN1563 EN-GJS-450-10 |
| 6 | Pin | Stainless Steel - BS970 304S15 |
| 7 | Split Pin | Stainless Steel - BS970 304S15 |
| 8 | Disc Screw | Steel - BS970 43A |
| 9 | Nut | Steel - BS970 43A |
| 10 | Washer | Steel - BS970 43A |
| 11 | Bond | Steel - BS970 43A |
| 12 | Gasket | Graphite |
| 13 | Bolt | Steel - BS970 43A |
| 14 | Bonnet | Cast Iron - BS EN1561 EN-GJL-250 |
| 15 | Bolt | Steel - BS970 43A |
| 16 | Balance Weight | Cast Iron - BS EN1561 EN-GJL-250 |
| 17 | Washer | Steel - BS970 43A |
| 18 | Nut | Steel - BS970 43A |
| 19 | Connecting Lever | Ductile Iron - BS EN1563 EN-GJS-450-10 |
| 20 | Nut | Steel - BS970 43A |
| 21 | Washer | Steel - BS970 43A |
| 22 | Hanger Axle | Stainless Steel - BS970 304S15 |
| 23 | Gland Nut | Brass - BS2874 CZ122 |
| 24 | O-Ring | EPDM - BSEN681-1 IRHD66-75 |
| 25 | Stuffing Box | Brass - BS2874 CZ122 |
| 26 | Washer | Teflon |
| 27 | Outside Bush | Brass - BS2874 CZ122 |
| 28 | Inside Bush | Brass - BS2874 CZ122 |

Technical Data

| | |
|---------------------|-----------------|
| Max Pressure | 16 Bar |
| Working Temperature | -10°C to +230°C |

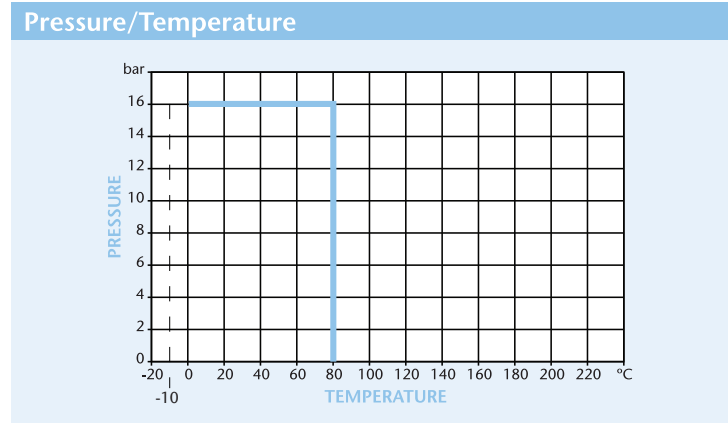
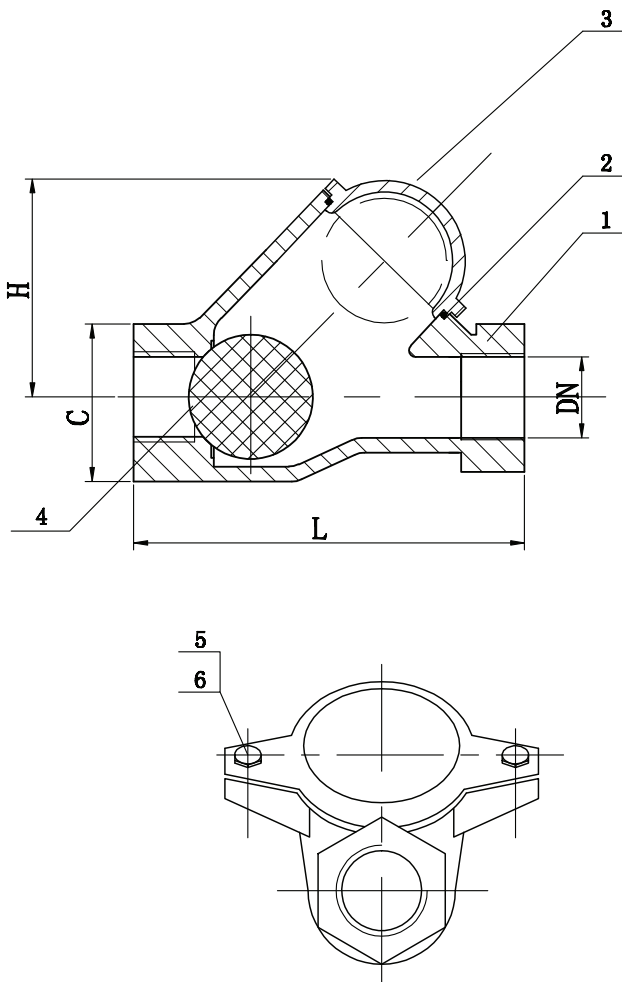
Dimensions in mm

This data sheet is designed as a guide and should not be regarded as wholly accurate in every detail. We reserve the right to amend the specification of any product without notice.

PN16 Ductile Iron Ball Check Valve

Features

- Screwed BSP Parallel (ISO 228/1)
- Epoxy Coat Finish



| DN | L | C | H | Kgs |
|----|-----|-----|-----|-------|
| 25 | 125 | 47 | 75 | 1.33 |
| 32 | 132 | 59 | 75 | 1.71 |
| 40 | 145 | 70 | 85 | 1.71 |
| 50 | 174 | 82 | 126 | 4.16 |
| 65 | 200 | 106 | 113 | 5.46 |
| 80 | 243 | 132 | 165 | 10.00 |

| N | Part Name | Material |
|---|-----------|--------------|
| 1 | Body | Ductile Iron |
| 2 | Gasket | NBR |
| 3 | Cap | Ductile Iron |
| 4 | Ball | NBR |
| 5 | Bolt | Steel |
| 6 | Nut | Steel |

Technical Data

Maximum Pressure 16 Bar
 Working Temperature: 0°C to +80°C

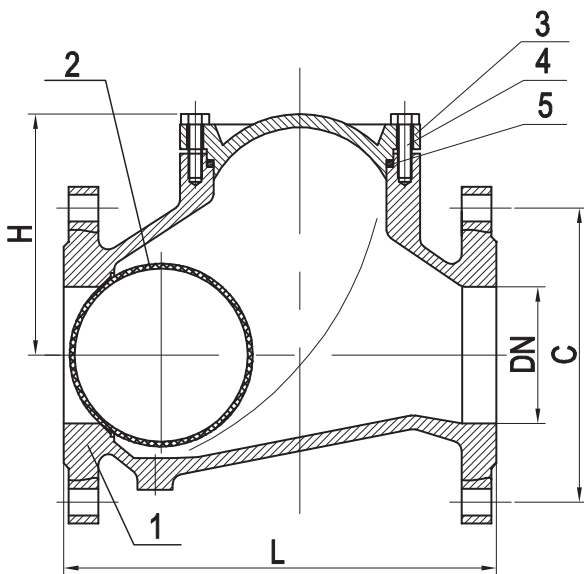
Dimensions in mm

This data sheet is designed as a guide and should not be regarded as wholly accurate in every detail. We reserve the right to amend the specification of any product without notice.

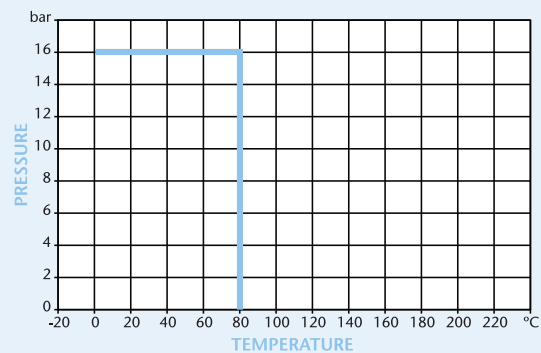
PN16 Ductile Iron Ball Check Valve

Features

- Flanged Mounting PN16 Only
- Valve Design According to EN12334
- DIN3202 Face-to-Face
- Epoxy Coat Finish



Pressure/Temperature



| DN | L | C | H | Kgs |
|-----|-----|-----|-----|-------|
| 50 | 200 | 106 | 125 | 7.7 |
| 65 | 240 | 129 | 145 | 11.2 |
| 80 | 260 | 146 | 160 | 15.4 |
| 100 | 300 | 194 | 180 | 21.7 |
| 125 | 350 | 207 | 210 | 33.0 |
| 150 | 400 | 240 | 240 | 45.3 |
| 200 | 500 | 322 | 295 | 90.42 |
| 250 | 600 | 388 | 355 | 163.0 |
| 300 | 700 | 458 | 410 | 230.0 |

| N | Part Name | Material |
|---|-----------|------------------|
| 1 | Body | Ductile Iron |
| 2 | Ball | Metal NBR Coated |
| 3 | Cap | Ductile Iron |
| 4 | Bolt | Steel |
| 5 | Gasket | NBR |

Technical Data

Maximum Pressure 16 Bar
 Working Temperature: 0°C to +80°C

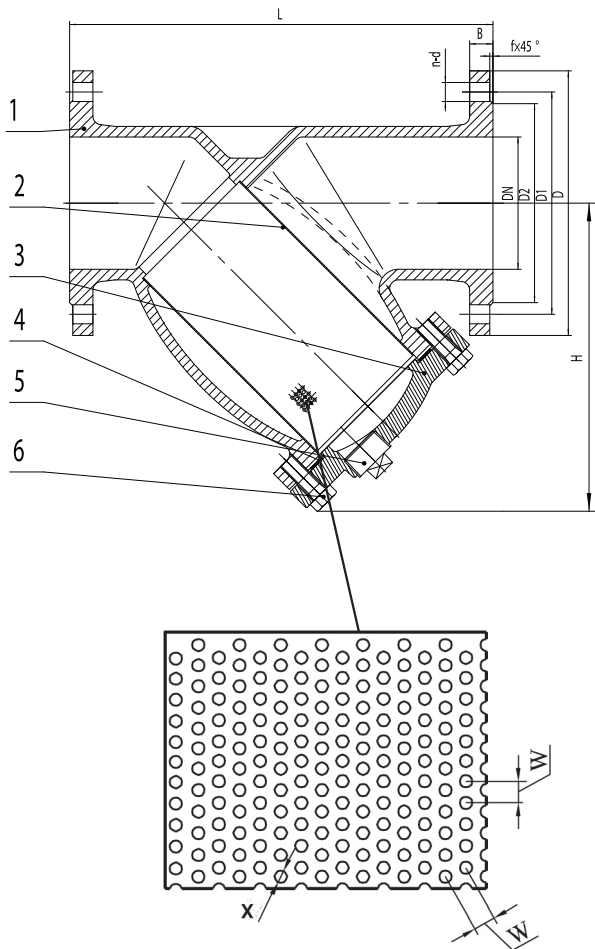
Dimensions in mm

This data sheet is designed as a guide and should not be regarded as wholly accurate in every detail. We reserve the right to amend the specification of any product without notice.

PN16 Cast Iron "Y" Strainer

Features

- Flange Mounting PN16 Only
- Flange conforms to BS EN1092 PN16
- BS EN 558-1 Series 1
- DN50 & DN65 Square Drain Port
- DN80 - DN600 Circular Drain Port



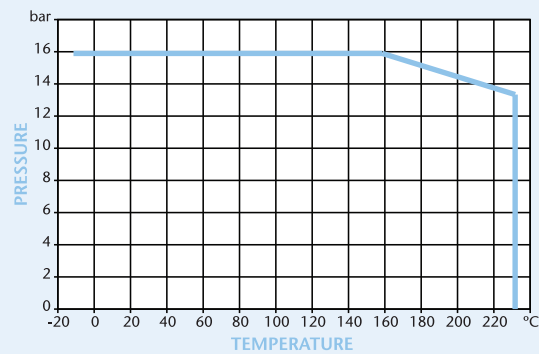
Technical Data

| | |
|---------------------|-----------------|
| Maximum Pressure | 16 Bar |
| Working Temperature | -10°C to +230°C |

Dimensions in mm

This data sheet is designed as a guide and should not be regarded as wholly accurate in every detail. We reserve the right to amend the specification of any product without notice.

Pressure/Temperature



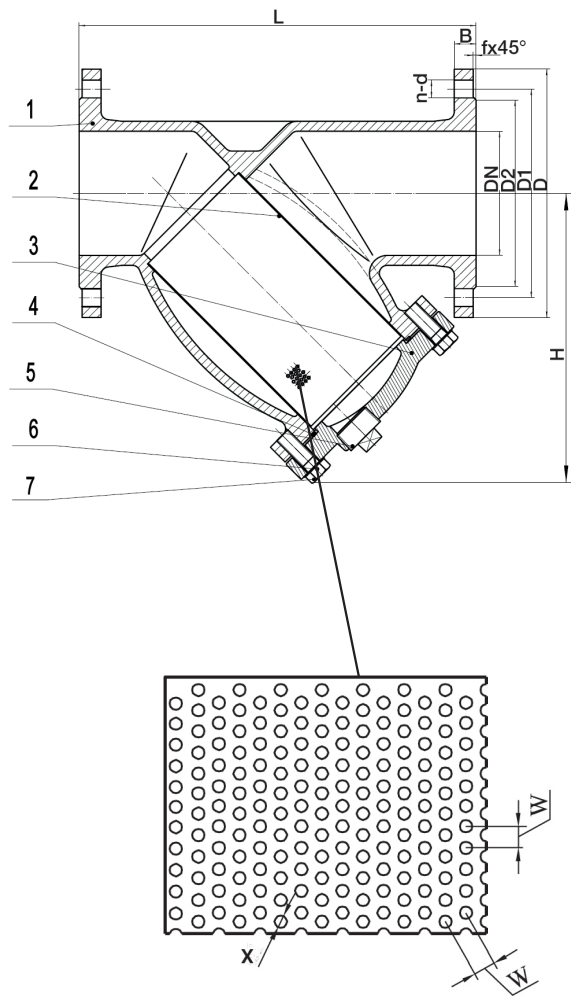
| DN | 50 | 65 | 80 | 100 | 125 | 150 | 200 | 250 | 300 | 350 | 400 | 450 | 500 | 600 |
|------------|------|------|------|------|------|------|-------|-------|-------|-------|-------|-------|-------|-------|
| L | 230 | 290 | 310 | 350 | 400 | 480 | 600 | 730 | 850 | 980 | 1100 | 1200 | 1250 | 1450 |
| D | 165 | 185 | 200 | 220 | 250 | 285 | 340 | 405 | 460 | 520 | 580 | 640 | 715 | 840 |
| D1 | 125 | 145 | 160 | 180 | 210 | 240 | 295 | 355 | 410 | 470 | 525 | 585 | 650 | 770 |
| D2 | 99 | 118 | 132 | 156 | 184 | 211 | 266 | 319 | 370 | 438 | 490 | 548 | 609 | 720 |
| B | 20 | 20 | 22 | 24 | 26 | 26 | 30 | 32 | 32 | 36 | 38 | 40 | 42 | 48 |
| f | 3 | 3 | 3 | 3 | 3 | 3 | 3 | 3 | 4 | 4 | 4 | 4 | 4 | 5 |
| n-d | 4-19 | 4-19 | 8-19 | 8-19 | 8-19 | 8-23 | 12-23 | 12-28 | 12-28 | 16-28 | 16-31 | 20-31 | 20-34 | 20-37 |
| H | 156 | 176 | 199 | 240 | 292 | 320 | 399 | 516 | 568 | 648 | 759 | 777 | 825 | 944 |
| X | 1.5 | 1.5 | 1.5 | 1.5 | 1.5 | 1.5 | 1.5 | 1.5 | 1.5 | 3 | 3 | 5 | 5 | 5 |
| W | 2.5 | 2.5 | 2.5 | 2.5 | 2.5 | 2.5 | 2.5 | 2.5 | 2.5 | 5 | 5 | 7 | 7 | 7 |
| kgs | 10.1 | 14 | 20.3 | 26.6 | 39.8 | 57 | 97 | 164 | 234 | 312 | 444 | 560 | 652 | 1072 |

| N. | Part Name | Materials |
|----|------------|---------------------------------|
| 1 | Body | Cast Iron - BS EN1561 EN-GJL250 |
| 2 | Screen | Stainless Steel - BS970 304S15 |
| 3 | Bonnet | Cast Iron - BS EN1561 EN-GJL250 |
| 4 | Gasket | Graphite |
| 5 | Screw Plug | Cast Brass - BS2874 CZ122 |
| 6 | Bolt | Steel - BS970 43A |

PN16 Cast Iron "Y" Strainer

Features

- Flange Mounting PN16 Only
- BS EN 558-1 Series 1
- DN50 & DN65 Square Drain Port
- DN80 - DN600 Circular Drain Port
- Fusion Bonded Epoxy Coat Finish
- DN50 - DN300 WRAS Approved
- DN350 - DN600 WRAS Approved Coating



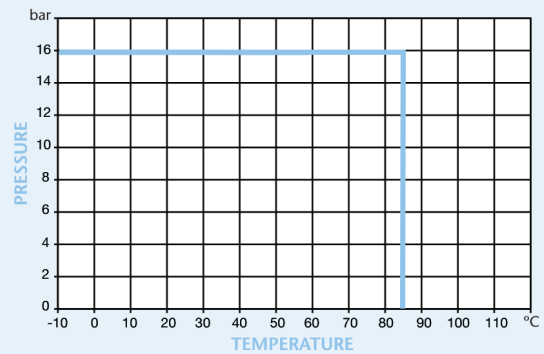
Technical Data

Maximum Pressure 16 Bar
 Working Temperature -10°C to +85°C

Dimensions in mm

This data sheet is designed as a guide and should not be regarded as wholly accurate in every detail. We reserve the right to amend the specification of any product without notice.

Pressure/Temperature



| DN | 50 | 65 | 80 | 100 | 125 | 150 | 200 | 250 | 300 | 350 | 400 | 450 | 500 | 600 |
|-----|------|------|------|------|------|------|-------|-------|-------|-------|-------|-------|-------|-------|
| L | 230 | 290 | 310 | 350 | 400 | 480 | 600 | 730 | 850 | 980 | 1100 | 1200 | 1250 | 1450 |
| D | 165 | 185 | 200 | 220 | 250 | 285 | 340 | 405 | 460 | 520 | 580 | 640 | 715 | 840 |
| D1 | 125 | 145 | 160 | 180 | 210 | 240 | 295 | 355 | 410 | 470 | 525 | 585 | 650 | 770 |
| D2 | 99 | 118 | 132 | 156 | 184 | 211 | 266 | 319 | 370 | 429 | 480 | 548 | 609 | 720 |
| B | 20 | 20 | 22 | 24 | 26 | 26 | 30 | 32 | 32 | 36 | 38 | 40 | 42 | 48 |
| f | 3 | 3 | 3 | 3 | 3 | 3 | 3 | 3 | 4 | 4 | 4 | 4 | 4 | 5 |
| n-d | 4-19 | 4-19 | 8-19 | 8-19 | 8-19 | 8-23 | 12-23 | 12-28 | 12-28 | 16-28 | 16-31 | 20-31 | 20-34 | 20-37 |
| H | 158 | 176 | 199 | 240 | 292 | 320 | 399 | 517 | 568 | 642 | 750 | 784 | 857 | 980 |
| X | 1.5 | 1.5 | 1.5 | 1.5 | 1.5 | 1.5 | 1.5 | 1.5 | 1.5 | 3 | 3 | 5 | 5 | 5 |
| W | 2.5 | 2.5 | 2.5 | 2.5 | 2.5 | 2.5 | 2.5 | 2.5 | 2.5 | 5 | 5 | 7 | 7 | 7 |
| kgs | 10.1 | 14 | 20.3 | 26.6 | 39.8 | 57 | 97 | 164 | 234 | 312 | 442 | 560 | 652 | 1072 |

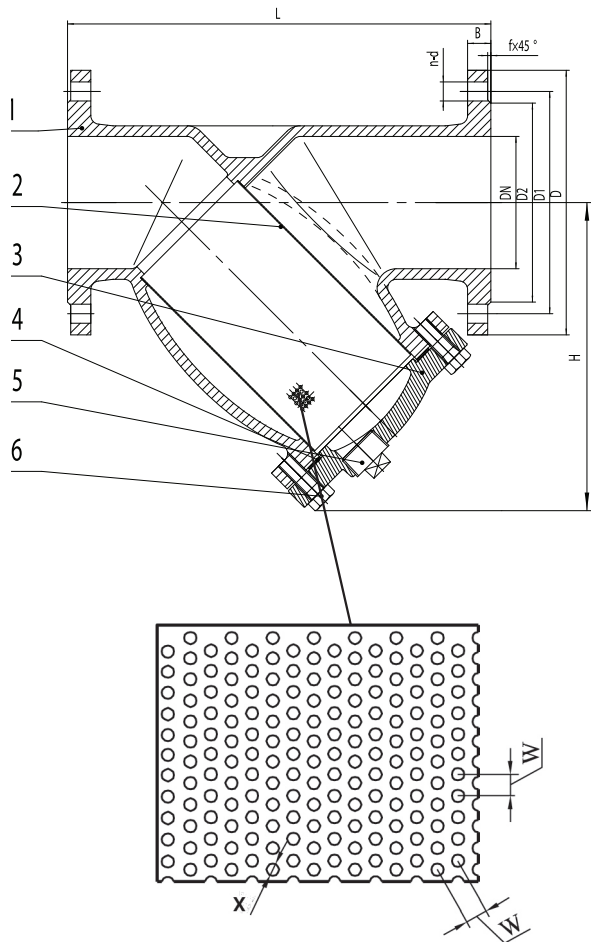
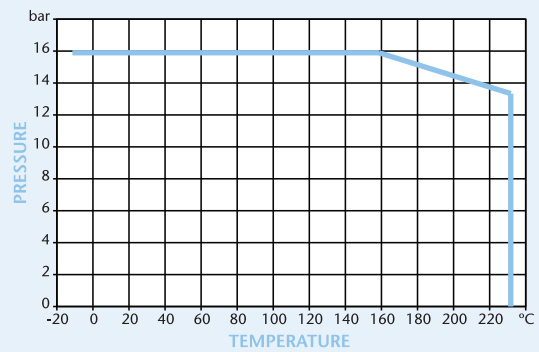
| N. | Part Name | Materials |
|----|------------|---------------------------------|
| 1 | Body | Cast Iron - BS EN1561 EN-GJL250 |
| 2 | Screen | Stainless Steel - BS970 304S15 |
| 3 | Bonnet | Cast Iron - BS EN1561 EN-GJL250 |
| 4 | Gasket | EPDM |
| 5 | Screw Plug | Cast Brass - BS2874 CZ122 |
| 6 | Bolt | Stainless Steel |
| 7 | Washer | Stainless Steel |

ANSI 150 Cast Iron "Y" Strainer

Features

- Flanged ANSI 150 (B16.5)
- Class 150 Rated
- Conforms to ASME B16.10

Pressure/Temperature



| | 2" | 2½" | 3" | 4" | 5" | 6" | 8" | 10" | 12" | 14" | 16" | 18" | 20" | 24" |
|------------|------|------|-------|-------|--------|--------|--------|---------|---------|---------|---------|-------|-------|-------|
| L | 230 | 290 | 310 | 350 | 400 | 480 | 600 | 730 | 850 | 980 | 1100 | 1200 | 1250 | 1450 |
| D | 165 | 185 | 200 | 228.6 | 250 | 285 | 340 | 405 | 483 | 533.4 | 597 | 640 | 715 | 840 |
| D1 | 121 | 140 | 152.5 | 190.5 | 215.9 | 241.3 | 298.5 | 362 | 432 | 476.3 | 539.8 | 578 | 635 | 749.5 |
| D2 | 92 | 105 | 127 | 156 | 184 | 211 | 266 | 319 | 370 | 413 | 470 | 533 | 584 | 692 |
| B | 20 | 20 | 22 | 24 | 26 | 26 | 30 | 32 | 32 | 36 | 38 | 40 | 42 | 48 |
| f | 1.6 | 1.6 | 1.6 | 1.6 | 1.6 | 1.6 | 1.6 | 1.6 | 1.6 | 1.6 | 1.6 | 1.6 | 1.6 | 1.6 |
| n-d | 4-19 | 4-19 | 4-19 | 8-19 | 8-22.2 | 8-22.2 | 8-25.4 | 12-25.4 | 12-28.6 | 12-28.6 | 16-28.6 | 16-32 | 20-32 | 20-35 |
| H | 156 | 176 | 199 | 240 | 292 | 320 | 399 | 516 | 568 | 648 | 759 | 777 | 825 | 944 |
| X | 1.5 | 1.5 | 1.5 | 1.5 | 1.5 | 1.5 | 1.5 | 1.5 | 1.5 | 3 | 3 | 5 | 5 | 5 |
| W | 2.5 | 2.5 | 2.5 | 2.5 | 2.5 | 2.5 | 2.5 | 2.5 | 2.5 | 5 | 5 | 7 | 7 | 7 |
| Kgs | 10.1 | 14 | 20.3 | 26.6 | 39.8 | 57 | 97 | 164 | 234 | 312 | 444 | 560 | 652 | 1072 |

Technical Data

Maximum Pressure 16 Bar
 Working Temperature -10°C to +232°C

Dimensions in mm

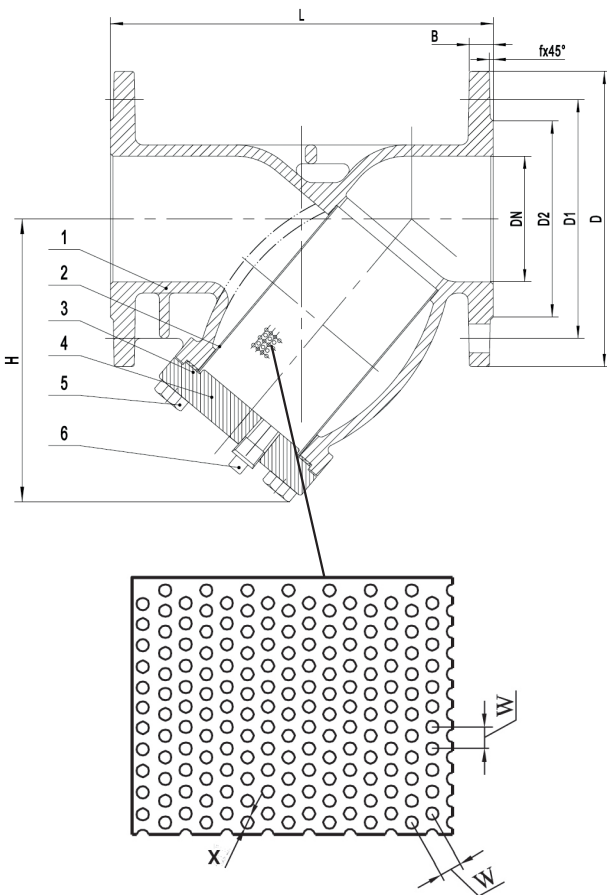
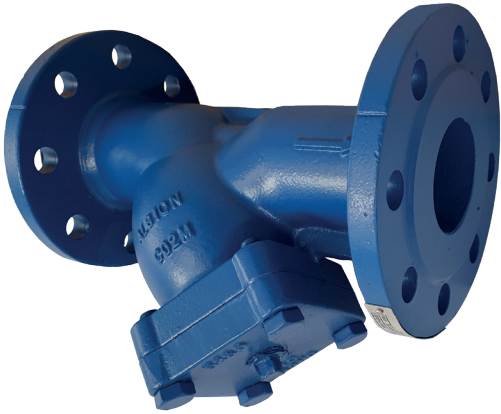
This data sheet is designed as a guide and should not be regarded as wholly accurate in every detail. We reserve the right to amend the specification of any product without notice.

| N. | Part Name | Materials |
|----|------------|--------------------------|
| 1 | Body | Cast Iron - ASTM A 126-B |
| 2 | Screen | Stainless Steel - 304 |
| 3 | Bonnet | Cast Iron - ASTM A 126-B |
| 4 | Gasket | Graphite |
| 5 | Screw Plug | Cast Brass - ASTM B 16 |
| 6 | Bolt | Steel |

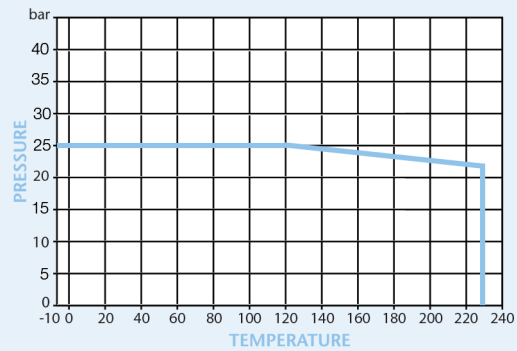
PN25 Ductile Iron "Y" Strainer

Features

- Flange Mounting PN25 Only
- Flange conforms to BS EN1092 PN25
- Conforms to BS EN558-1 Series 1



Pressure/Temperature



| | 2" | 2½" | 3" | 4" | 5" | 6" | 8" | 10" | 12" | 14" | 16" | 18" | 20" | 24" |
|-----|------|------|------|------|------|------|-------|-------|-------|-------|-------|-------|-------|-------|
| L | 230 | 290 | 310 | 350 | 400 | 480 | 600 | 730 | 850 | 980 | 1100 | 1200 | 1250 | 1450 |
| D | 165 | 185 | 200 | 235 | 270 | 300 | 360 | 425 | 485 | 555 | 620 | 670 | 730 | 845 |
| D1 | 125 | 145 | 160 | 190 | 220 | 250 | 310 | 370 | 430 | 490 | 550 | 600 | 660 | 770 |
| D2 | 99 | 118 | 132 | 156 | 184 | 211 | 274 | 330 | 389 | 448 | 503 | 548 | 609 | 720 |
| B | 19 | 19 | 19 | 19 | 19 | 20 | 22 | 24.5 | 27.5 | 30 | 32 | 34.5 | 36.5 | 42 |
| f | 3 | 3 | 3 | 3 | 3 | 3 | 3 | 3 | 4 | 4 | 4 | 4 | 4 | 5 |
| n-d | 4-19 | 8-19 | 8-19 | 8-23 | 8-28 | 8-28 | 12-28 | 12-31 | 16-31 | 16-34 | 16-37 | 20-37 | 20-37 | 20-41 |
| H | 143 | 165 | 195 | 226 | 272 | 317 | 372 | 457 | 550 | 648 | 760 | 795 | 862 | 985 |
| X | 1.5 | 1.5 | 1.5 | 1.5 | 1.5 | 1.5 | 1.5 | 1.5 | 1.5 | 3 | 3 | 5 | 5 | 5 |
| W | 2.5 | 2.5 | 2.5 | 2.5 | 2.5 | 2.5 | 2.5 | 2.5 | 2.5 | 5 | 5 | 7 | 7 | 7 |
| Kgs | 9.3 | 12.4 | 15.3 | 26 | 32 | 46 | 70 | 122 | 172 | 335 | 479 | 523 | 658 | 1050 |

Technical Data

Maximum Pressure 25 Bar
 Working Temperature -10°C to +230°C

| N. | Part Name | Materials |
|----|------------|----------------------------------|
| 1 | Body | Ductile Iron - BS1563 EN-GJS-450 |
| 2 | Screen | Stainless Steel - BS970 304S15 |
| 3 | Bonnet | Ductile Iron - BS1563 EN-GJS-450 |
| 4 | Gasket | Non-Asbestos / EPDM |
| 5 | Bolt | Steel - BS970 43A |
| 6 | Screw Plug | Stainless Steel - BS970 304S15 |

Dimensions in mm

This data sheet is designed as a guide and should not be regarded as wholly accurate in every detail. We reserve the right to amend the specification of any product without notice.

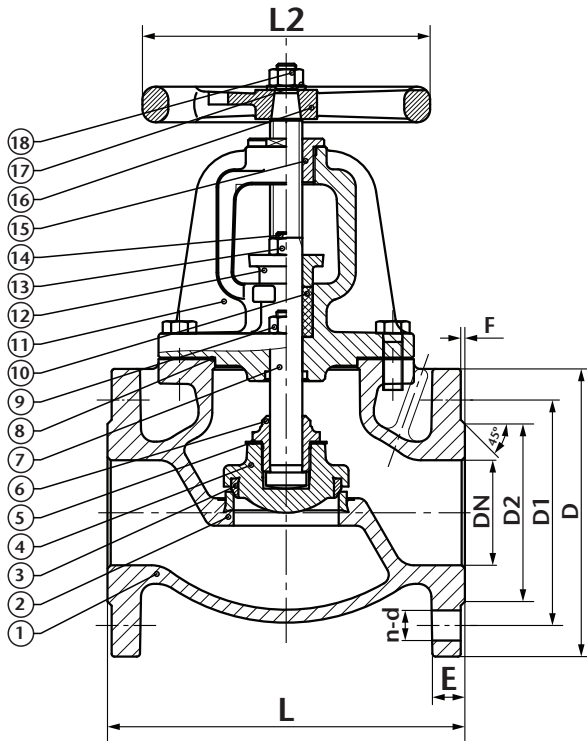
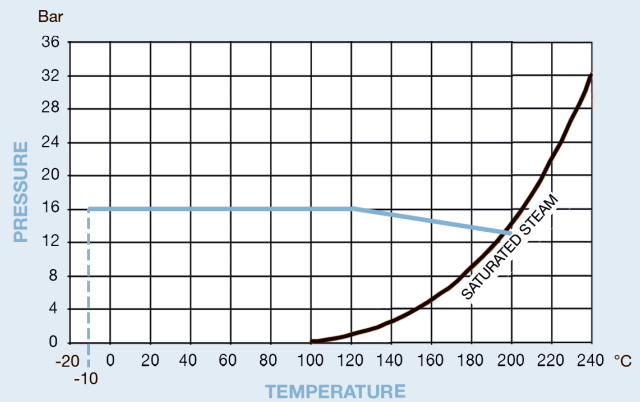
PN16 Cast Iron Globe Valve

Features

- Flange Mounting PN16 Only
- BS EN558-1 Series 10
- Conforms to BS5152



PRESSURE / TEMPERATURE



| Technical Data | |
|---------------------|-----------------|
| Max Pressure | 16 Bar |
| Working Temperature | -10°C to +200°C |

Dimensions in mm

This data sheet is designed as a guide and should not be regarded as wholly accurate in every detail. We reserve the right to amend the specification of any product without notice.

| DN | 50 | 65 | 80 | 100 | 125 | 150 | 200 | 250 | 300 |
|-----|------|------|------|------|------|------|-------|-------|-------|
| D | 165 | 185 | 200 | 220 | 250 | 285 | 340 | 405 | 460 |
| D1 | 125 | 145 | 160 | 180 | 210 | 240 | 295 | 355 | 410 |
| D2 | 99 | 118 | 132 | 156 | 184 | 211 | 266 | 319 | 370 |
| E | 20 | 17.5 | 19.1 | 23.9 | 23.9 | 25.4 | 28.6 | 30.2 | 31.8 |
| F | 3 | 3 | 3 | 3 | 3 | 3 | 3 | 3 | 4 |
| L | 203 | 216 | 241 | 292 | 330 | 356 | 495 | 622 | 698 |
| L2 | 178 | 178 | 200 | 254 | 300 | 300 | 348 | 400 | 457 |
| n-d | 4-19 | 4-19 | 8-19 | 8-19 | 8-19 | 8-23 | 12-23 | 12-28 | 12-28 |

| N. | Part Name | Materials |
|----|---------------|---------------------|
| 1 | Body | Cast Iron |
| 2 | Body Ring | Cast Bronze |
| 3 | Disc Ring | Cast Bronze |
| 4 | Disc | Cast Iron |
| 5 | Stop Washer | Stainless Steel 304 |
| 6 | Nut | Cast Brass |
| 7 | Stem | Stainless Steel |
| 8 | Flange Gasket | Graphite |
| 9 | Bolt | Cast Iron |
| 10 | Packing | Graphite |
| 11 | Bonnet | Cast Iron |
| 12 | Gland | Ductile Iron |
| 13 | Nut | Steel |
| 14 | Bolt | Steel |
| 15 | Stem Nut | Cast Brass |
| 16 | Handwheel | Cast Iron |
| 17 | Washer | Steel |
| 18 | Nut | Steel |

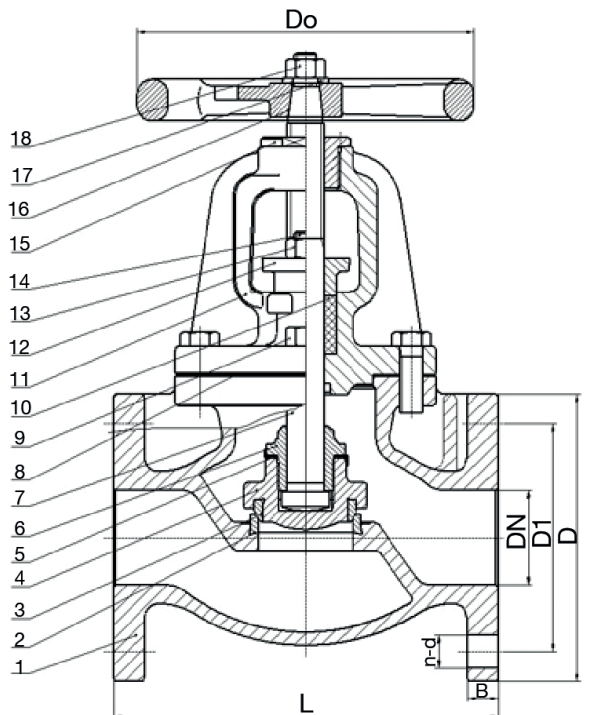
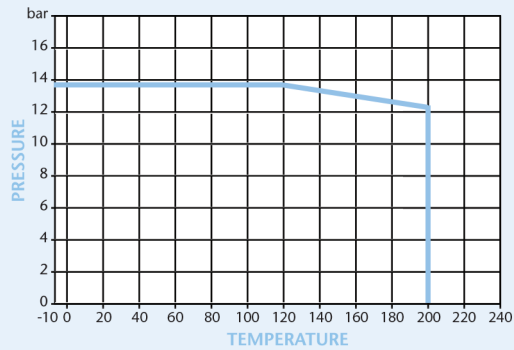
ANSI 125 Cast Iron Globe Valve

Features

- Flanged ANSI 125 (B16.1)
- Class 125 Rated
- OSY rising stem
- Conforms to ASME B16.10 & MSS SP-85



Pressure/Temperature



| | 2" | 2½" | 3" | 4" | 5" | 6" | 8" | 10" | 12" |
|-----|--------|--------|--------|--------|--------|--------|--------|---------|---------|
| L | 203 | 216 | 241 | 292 | 330 | 356 | 495 | 622 | 699 |
| D | 152 | 178 | 190 | 229 | 254 | 279 | 343 | 406 | 483 |
| D1 | 121 | 140 | 153 | 191 | 216 | 242 | 299 | 362 | 432 |
| B | 16 | 18 | 19 | 24 | 24 | 25 | 29 | 30 | 32 |
| n-d | 4 - 19 | 4 - 19 | 4 - 19 | 8 - 19 | 8 - 22 | 8 - 22 | 8 - 22 | 12 - 25 | 12 - 25 |
| Do | 178 | 178 | 200 | 254 | 300 | 300 | 348 | 400 | 457 |
| Kgs | 15.6 | 21.5 | 30.9 | 46.8 | 68.4 | 92.6 | 157 | 219 | 302 |

| N. | Part Name | Materials |
|----|----------------|-----------------------------------|
| 1 | Body | Cast Iron - ASTM A 126-B |
| 2 | Body Seat Ring | Cast Bronze - ASTM B 62 |
| 3 | Disc Seat Ring | Cast Bronze - ASTM B 62 |
| 4 | Disc | Cast Iron - ASTM A 126-B |
| 5 | Washer | Stainless Steel - ASTM 304 |
| 6 | Disc Nut | Cast Brass - Mn-Brass |
| 7 | Stem | Brass - ASTM B 16 |
| 8 | Gasket | Graphite - Non-Asbestos |
| 9 | Bolt | Steel - ASTM A 307-B |
| 10 | Packing | Graphite - Non-Asbestos |
| 11 | Bonnet | Cast Iron - ASTM A 126-B |
| 12 | Packing Gland | Ductile Iron - ASTM A536 65-45-12 |
| 13 | Nut | Steel |
| 14 | Bolt | Steel |
| 15 | Stem Nut | Cast Brass - Mn-Brass |
| 16 | Handwheel | Cast Iron - ASTM A 126-B |
| 17 | Washer | Steel |
| 18 | Nut | Steel - ASTM A 563-B |

Technical Data

Max Pressure 13.8 Bar
 Working Temperature -10°C to +200°C

Dimensions in mm

This data sheet is designed as a guide and should not be regarded as wholly accurate in every detail. We reserve the right to amend the specification of any product without notice.

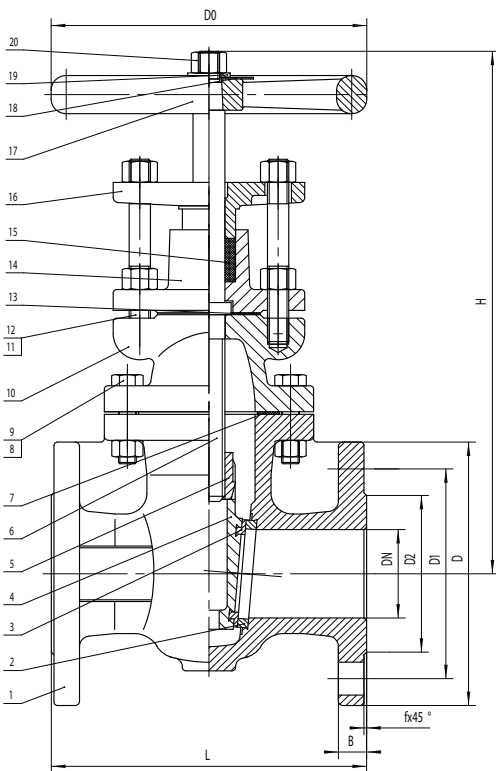
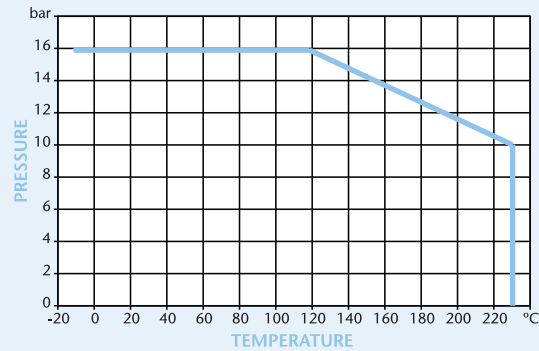
PN16 Cast Iron Gate Valve

Features

- Flange Mounting PN16 Only
- BS5150 (BS EN 558-1 Series 3)
- Non Rising Stem



Pressure/Temperature



| DN | 50 | 65 | 80 | 100 | 125 | 150 | 200 | 250 | 300 | 350 | 400 | 450 | 500 | 600 |
|-----|------|------|------|------|------|------|-------|-------|-------|-------|-------|-------|-------|-------|
| L | 178 | 190 | 203 | 229 | 254 | 267 | 292 | 330 | 356 | 381 | 406 | 432 | 457 | 508 |
| D | 165 | 185 | 200 | 220 | 250 | 285 | 340 | 405 | 460 | 520 | 580 | 640 | 715 | 840 |
| D1 | 125 | 145 | 160 | 180 | 210 | 240 | 295 | 355 | 410 | 470 | 525 | 585 | 650 | 770 |
| D2 | 99 | 118 | 132 | 156 | 184 | 211 | 266 | 319 | 370 | 429 | 480 | 548 | 609 | 720 |
| B | 20 | 20 | 22 | 24 | 26 | 26 | 30 | 32 | 32 | 36 | 38 | 40 | 42 | 48 |
| f | 3 | 3 | 3 | 3 | 3 | 3 | 3 | 3 | 4 | 4 | 4 | 4 | 4 | 5 |
| n-d | 4-19 | 4-19 | 8-19 | 8-19 | 8-19 | 8-23 | 12-23 | 12-28 | 12-28 | 16-28 | 16-31 | 20-31 | 20-34 | 20-37 |
| H | 302 | 332 | 335 | 423 | 485 | 545 | 644 | 769 | 860 | 987 | 1044 | 1148 | 1257 | 1418 |
| kgs | 16.5 | 21.6 | 26.5 | 47.2 | 68 | 87 | 118 | 197 | 275 | 370 | 460 | 635 | 800 | 1135 |

| N. | Part Name | Materials |
|----|---------------------|--|
| 1 | Body | Cast Iron - BS EN1561 EN-GJL-250 |
| 2 | Body Sealed Ring | Cast Bronze - BS1400 LG2 |
| 3 | Wedge Sealed Ring | Cast Bronze - BS1400 LG2 |
| 4 | Wedge | Cast Iron - BS EN1561 EN-GJL-250 |
| 5 | Stem Nut | Cast Brass - BS1400 PCB1 |
| 6 | Stem | Stainless Steel - BS970 420S37 |
| 7 | Gasket | Graphite |
| 8 | Bolt | Steel - BS970 43A |
| 9 | Nut | Steel - BS970 43A |
| 10 | Bonnet | Cast Iron - BS EN1561 EN-GJL-250 |
| 11 | Studs | Steel - BS970 43A |
| 12 | Nut | Steel - BS970 43A |
| 13 | Stuffing Box Gasket | Graphite |
| 14 | Stuffing Box | Cast Iron - BS EN1561 EN-GJL-250 |
| 15 | Packing | Graphite |
| 16 | Gland Follower | Ductile Iron - BS EN1563 EN-GJS-450-10 |
| 17 | Handwheel | Cast Iron - BS EN1561 EN-GJL-250 |
| 18 | Disc | Aluminium |
| 19 | Washer | Steel - BS970 43A |
| 20 | Nut | Steel - BS970 43A |

Technical Data

Maximum Pressure 16 Bar
Working Temperature -10°C to +230°C

Dimensions in mm

This data sheet is designed as a guide and should not be regarded as wholly accurate in every detail. We reserve the right to amend the specification of any product without notice.

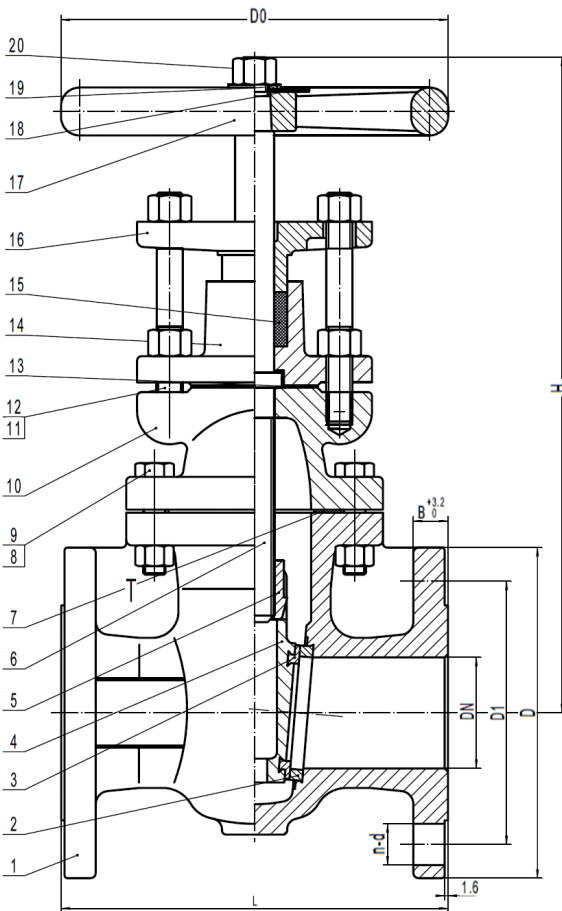
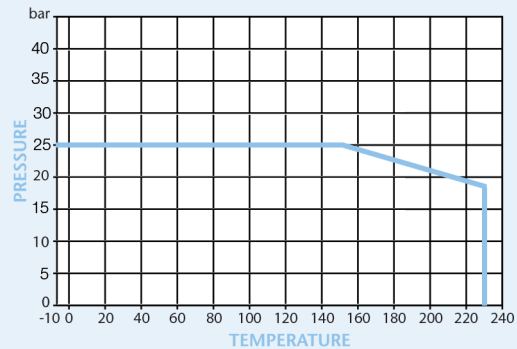


PN25 Cast Iron Gate Valve

Features

- Flange Mounting PN25 Only
- Flange conforms to BS EN1092 PN25
- Conforms to BS5150 (BS EN558-1)
- Non Rising Stem

Pressure/Temperature



| | 2" | 2½" | 3" | 4" | 5" | 6" | 8" | 10" | 12" |
|-----|------|------|------|------|------|------|-------|-------|-------|
| L | 216 | 241 | 283 | 305 | 381 | 403 | 419 | 457 | 502 |
| D | 165 | 191 | 210 | 254 | 279 | 318 | 381 | 445 | 521 |
| D1 | 125 | 145 | 160 | 190 | 220 | 250 | 310 | 370 | 430 |
| D2 | 99 | 118 | 132 | 156 | 184 | 211 | 274 | 330 | 389 |
| f | 3 | 3 | 3 | 3 | 3 | 3 | 3 | 3 | 4 |
| B | 22 | 25 | 29 | 32 | 35 | 37 | 41 | 48 | 51 |
| n-d | 4-19 | 8-19 | 8-19 | 8-23 | 8-28 | 8-28 | 12-28 | 12-31 | 16-31 |
| d0 | 175 | 200 | 254 | 300 | 300 | 348 | 400 | 457 | 457 |
| H | 303 | 338 | 375 | 424 | 499 | 561 | 665 | 810 | 905 |
| Kgs | 17.1 | 23 | 27.5 | 47.7 | 70 | 89 | 126 | 208 | 289 |

Technical Data

Maximum Pressure 25 Bar
 Working Temperature -10°C to +230°C

| N. | Part Name | Materials |
|----|----------------------|--|
| 1 | Body | Cast Iron - BS EN1561 EN-GJL-250 |
| 2 | Body Seat Ring | Cast Bronze - BS1400 LG2 |
| 3 | Wedge Seat Ring | Cast Bronze - BS1400 LG2 |
| 4 | Wedge | Cast Iron - BS EN1561 EN-GJL-250 |
| 5 | Wedge Nut | Cast Brass - BS1400 PCB1 |
| 6 | Stem | Brass - BS2874 CZ122 |
| 7 | Gasket | Graphite |
| 8 | Bolt | Steel - BS970 43A |
| 9 | Nut | Steel - BS970 43A |
| 10 | Bonnet | Cast Iron - BS EN1561 EN-GJL-250 |
| 11 | Gland Follower Bolt | Steel - BS970 43A |
| 12 | Nut | Steel - BS970 43A |
| 13 | Gasket | Graphite |
| 14 | Stuffing Box | Cast Iron - BS EN1561 EN-GJL-250 |
| 15 | Packing | Graphite |
| 16 | Gland Follower | Ductile Iron - BS EN1563 EN-GJS-450-10 |
| 17 | Handwheel | Cast Iron - BS EN1561 EN-GJL-250 |
| 18 | Identification Plate | Aluminium |
| 19 | Washer | Steel - BS970 43A |
| 20 | Nut | Steel - BS970 43A |

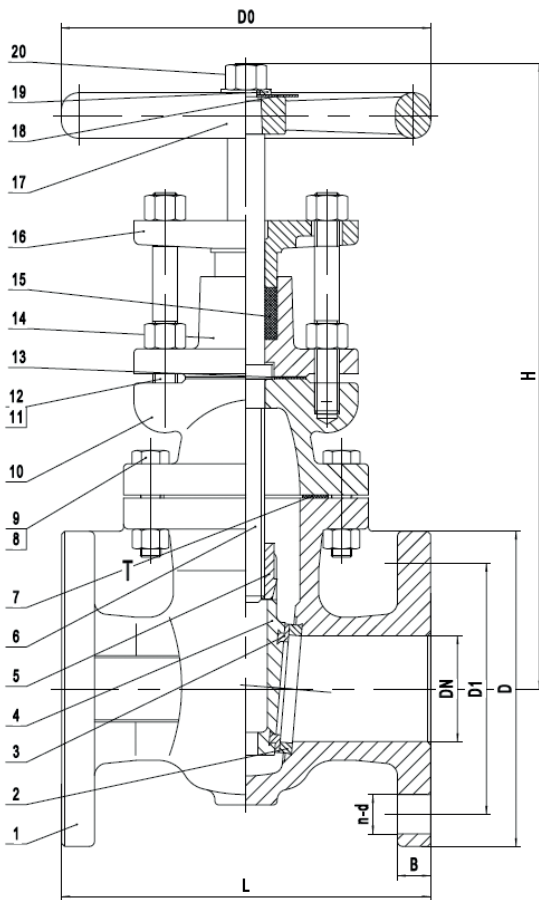
Dimensions in mm

This data sheet is designed as a guide and should not be regarded as wholly accurate in every detail. We reserve the right to amend the specification of any product without notice.

Cast Iron Gate Valve

Features

- Flanged ANSI 125 (B16.1)
- Class 125 Rated
- Non Rising Stem
- Conforms to ASME B16.10 & MSS SP-70



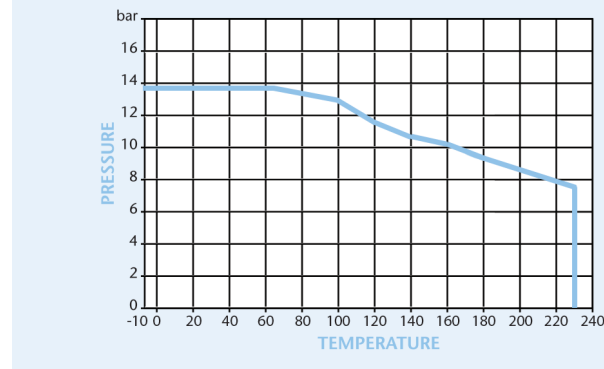
Technical Data

Maximum Pressure 13.8 Bar
 Working Temperature -10°C to +230°C

Dimensions in mm

This data sheet is designed as a guide and should not be regarded as wholly accurate in every detail. We reserve the right to amend the specification of any product without notice.

Pressure/Temperature



| | 2" | 2½" | 3" | 4" | 5" | 6" | 8" | 10" | 12" | 14" | 16" | 18" | 20" | 24" |
|-----|------|------|------|------|--------|--------|--------|---------|---------|---------|---------|-------|-------|-------|
| L | 178 | 190 | 203 | 229 | 254 | 267 | 292 | 330 | 356 | 381 | 406 | 432 | 457 | 508 |
| D | 152 | 178 | 190 | 229 | 254 | 279 | 343 | 406 | 483 | 533 | 597 | 635 | 699 | 813 |
| D1 | 121 | 140 | 153 | 191 | 216 | 241 | 299 | 362 | 432 | 476 | 540 | 578 | 635 | 750 |
| B | 16 | 18 | 19 | 24 | 24 | 25 | 29 | 30 | 32 | 35 | 37 | 40 | 43 | 48 |
| n-d | 4-19 | 4-19 | 4-19 | 8-19 | 8-22.2 | 8-22.2 | 8-22.2 | 12-25.4 | 12-25.4 | 12-28.6 | 16-28.6 | 16-32 | 20-32 | 20-35 |
| D0 | 178 | 178 | 200 | 254 | 300 | 300 | 348 | 400 | 457 | 560 | 560 | 610 | 610 | 765 |
| H | 302 | 332 | 335 | 423 | 485 | 545 | 644 | 769 | 860 | 987 | 1044 | 1148 | 1257 | 1418 |
| Kgs | 16.5 | 21.6 | 26.5 | 47.2 | 68 | 87 | 118 | 197 | 275 | 370 | 462.5 | 635 | 800 | 1135 |

| N. | Part Name | Materials |
|----|----------------------|------------------------------------|
| 1 | Body | Cast Iron - ASTM A 126-B |
| 2 | Body Seat Ring | Cast Bronze - ASTM B 62 |
| 3 | Wedge Seat Ring | Cast Bronze - ASTM B 62 |
| 4 | Wedge | Cast Iron - ASTM A 126-B |
| 5 | Wedge Nut | Cast Brass - Mn-Brass |
| 6 | Stem | Brass - ASTM B 16 |
| 7 | Gasket | Graphite - Non-Asbestos |
| 8 | Bolt | Steel - ASTM A 307 B |
| 9 | Nut | Steel - ASTM A 563 B |
| 10 | Bonnet | Cast Iron - ASTM A 126-B |
| 11 | Gland Follower Bolt | Steel |
| 12 | Nut | Steel |
| 13 | Gasket | Graphite - Non-Asbestos |
| 14 | Stuffing Box | Cast Iron - ASTM A 126-B |
| 15 | Packing | Graphite - Non-Asbestos |
| 16 | Gland Follower | Ductile Iron - ASTM A 536 65-45-12 |
| 17 | Handwheel | Cast Iron - ASTM A 126-B |
| 18 | Identification Plate | Aluminium |
| 19 | Washer | Steel |
| 20 | Nut | Steel - ASTM A 563 B |

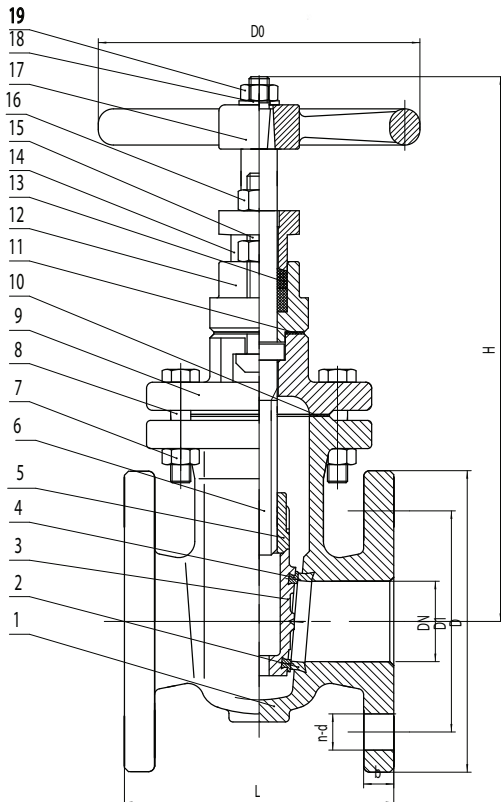
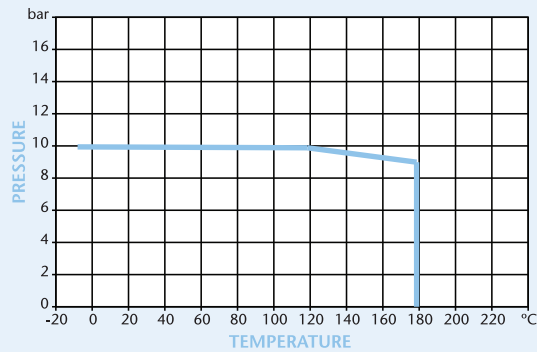
BS 10 Cast Iron Gate Valve

Features

- Flange Mounting BS10 Table 'E' and 'D'
- BS3464
- Non Rising Stem



Pressure/Temperature



| DN | 50 | 65 | 80 | 100 | 125 | 150 | 200 | 250 | 300 |
|-----|--------|--------|--------|--------|--------|--------|--------|--------|--------|
| L | 146 | 159 | 165 | 171 | 190 | 210 | 241 | 273 | 305 |
| D | 155 | 175 | 185 | 210 | 250 | 280 | 330 | 400 | 445 |
| D1 | 114 | 127 | 146 | 178 | 210 | 235 | 292 | 356 | 406 |
| b | 16 | 16 | 17 | 18 | 18 | 21 | 23 | 26 | 28 |
| n-d | 4-17.5 | 4-17.5 | 4-17.5 | 8-17.5 | 8-17.5 | 8-22.2 | 8-22.2 | 2-22.2 | 2-22.2 |
| D0 | 160 | 160 | 160 | 200 | 250 | 250 | 250 | 320 | 320 |
| H | 292 | 324 | 360 | 380 | 454 | 490 | 578 | 711 | 767 |
| Kgs | 13.8 | 18.5 | 24.1 | 28.8 | 50 | 62 | 85.5 | 143 | 152 |

| N. | Part Name | Materials |
|----|---------------------|-----------------|
| 1 | Body | Cast Iron GG25 |
| 2 | Body Seald Ring | Cast Bronze |
| 3 | Wedge | Cast Iron |
| 4 | Wedge Seat Ring | Cast Bronze |
| 5 | Stem Nut | Cast Brass |
| 6 | Stem | Stainless Steel |
| 7 | Nut | Steel |
| 8 | Bolt | Steel |
| 9 | Bonnet | Cast Iron |
| 10 | Gasket | Graphite |
| 11 | Stuffing Box Gasket | Graphite |
| 12 | Stuffing Box | Cast Iron |
| 13 | Packing | Graphite |
| 14 | Gland Follower | Cast Iron |
| 15 | T-Bolt | Steel |
| 16 | Nut | Steel |
| 17 | Handwheel | Cast Iron |
| 18 | Washer | Steel |
| 19 | Nut | Steel |

Technical Data

Maximum Pressure 10 Bar

Working Temperature -10°C to +180°C

Dimensions in mm

This data sheet is designed as a guide and should not be regarded as wholly accurate in every detail. We reserve the right to amend the specification of any product without notice.

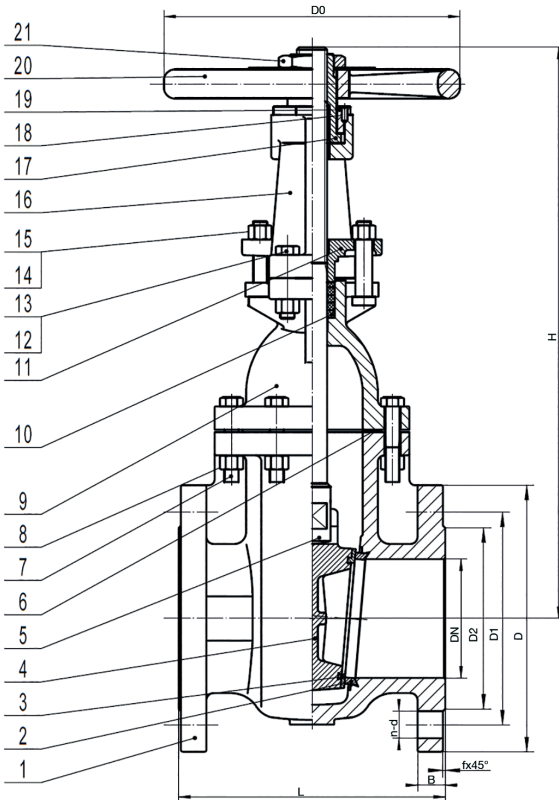
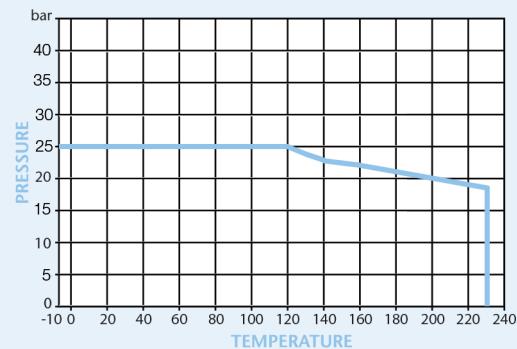


PN25 Cast Iron Rising Stem Gate Valve

Features

- Flange Mounting PN25 Only
- Flange conforms to BS EN1092 PN25
- Conforms to BS5150 (BS EN558-1 series 4)
- OSY rising stem

Pressure/Temperature



| | 2" | 2½" | 3" | 4" | 5" | 6" | 8" | 10" | 12" |
|---------|------|------|------|------|------|------|--------|-------|-------|
| L | 216 | 241 | 283 | 305 | 381 | 403 | 419 | 457 | 502 |
| D | 165 | 191 | 210 | 254 | 279 | 318 | 381 | 445 | 521 |
| D1 | 125 | 145 | 160 | 190 | 220 | 250 | 310 | 370 | 430 |
| D2 | 99 | 118 | 132 | 156 | 184 | 211 | 274 | 330 | 398 |
| B | 22 | 25 | 29 | 32 | 35 | 37 | 41 | 48 | 51 |
| n-d | 4-19 | 8-19 | 8-19 | 8-23 | 8-28 | 8-28 | 12-28 | 12-31 | 16-31 |
| D0 | 175 | 200 | 254 | 300 | 300 | 348 | 400 | 457 | 457 |
| f | 3 | 3 | 3 | 3 | 3 | 3 | 3 | 3 | 4 |
| H (min) | 325 | 362 | 406 | 493 | 579 | 644 | 795 | 935 | 1059 |
| H (max) | 385 | 437 | 493 | 611 | 716 | 813 | 1023.5 | 1211 | 1386 |
| Kgs | 17.8 | 23.3 | 28.2 | 45.8 | 69 | 86.2 | 125 | 206 | 278 |

| N. | Part Name | Materials |
|----|------------------|---------------------------------|
| 1 | Body | Cast Iron - BS1452 Gr.220 |
| 2 | Seat Ring | Cast Bronze - BS1400 LG2 |
| 3 | Seat Ring | Cast Bronze - BS1400 LG2 |
| 4 | Wedge | Cast Iron - BS1452 Gr.220 |
| 5 | Stem | Brass - BS2874 CZ122 |
| 6 | Gasket | Graphite |
| 7 | Bolt | Steel - BS970 43A |
| 8 | Nut | Steel - BS970 43A |
| 9 | Bonnet | Cast Iron - BS1452 Gr.220 |
| 10 | Packing | Graphite |
| 11 | Gland Follower | Ductile Iron - BS2789 Gr.420-12 |
| 12 | Bolt | Steel - BS970 43A |
| 13 | Nut | Steel - BS970 43A |
| 14 | Bolt | Steel - BS970 43A |
| 15 | Nut | Steel - BS970 43A |
| 16 | Yoke | Cast Iron - BS1452 Gr.220 |
| 17 | Yoke Bushing | Cast Brass - BS1400 PCB1 |
| 18 | Screw | Steel - BS970 43A |
| 19 | Yoke Bushing Nut | Cast Iron - BS1452 Gr.220 |
| 20 | Handwheel | Cast Iron - BS1452 Gr.220 |
| 21 | Handwheel Nut | Steel - BS970 43A |

Technical Data

Max Pressure 25 Bar
 Working Temperature -10°C to +230°C

Dimensions in mm

This data sheet is designed as a guide and should not be regarded as wholly accurate in every detail. We reserve the right to amend the specification of any product without notice.

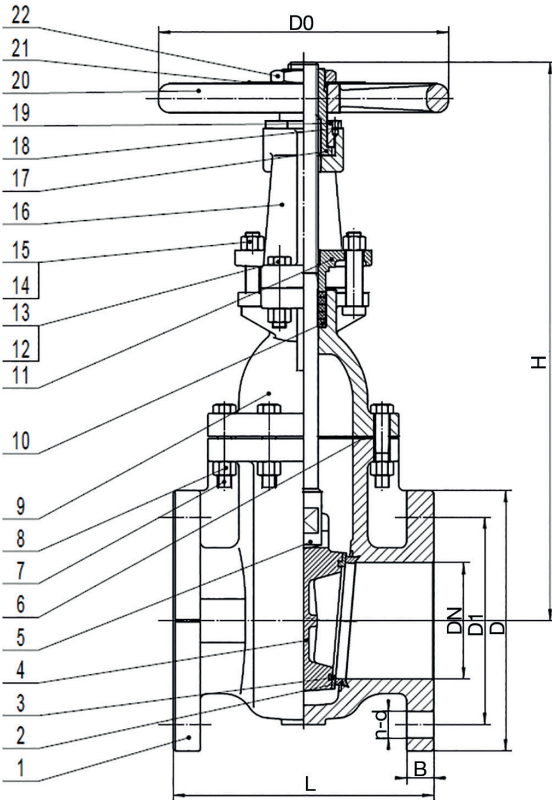
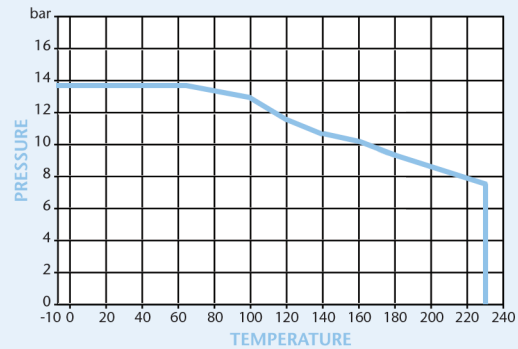
ANSI 125 Cast Iron Rising Stem Gate Valve

Features

- Flanged ANSI 125 (B16.1)
- Class 125 Rated
- OSY rising stem
- Conforms to ASME B16.10 & MSS SP-70



Pressure/Temperature



| | 2" | 2½" | 3" | 4" | 5" | 6" | 8" | 10" | 12" | 14" | 16" | 18" | 20" | 24" |
|-----|------|-----|------|------|------|------|------|------|------|------|------|------|------|------|
| L | 178 | 190 | 203 | 229 | 254 | 267 | 292 | 330 | 356 | 381 | 406 | 432 | 457 | 508 |
| D | 152 | 178 | 190 | 229 | 254 | 279 | 343 | 406 | 483 | 533 | 597 | 635 | 699 | 813 |
| D1 | 121 | 140 | 153 | 191 | 216 | 241 | 299 | 362 | 432 | 476 | 540 | 578 | 635 | 750 |
| B | 16 | 18 | 19 | 24 | 24 | 25 | 29 | 30 | 32 | 35 | 37 | 40 | 43 | 48 |
| n-d | 4- | 4- | 4- | 8- | 8- | 8- | 8- | 12- | 12- | 12- | 16- | 16- | 20- | 20- |
| | 19 | 19 | 19 | 19 | 22.2 | 22.2 | 22.2 | 25.4 | 25.4 | 28.6 | 28.6 | 32 | 32 | 35 |
| D0 | 178 | 178 | 200 | 254 | 300 | 300 | 348 | 400 | 457 | 560 | 560 | 610 | 610 | 765 |
| H | 311 | 347 | 384 | 490 | 541 | 656 | 778 | 933 | 1102 | 1259 | 1395 | 1560 | 1708 | 1990 |
| Kgs | 17.1 | 23 | 27.5 | 47.7 | 70 | 89 | 126 | 208 | 289 | 426 | 603 | 774 | 894 | 1294 |

| N. | Part Name | Materials |
|----|----------------------|-----------------------------------|
| 1 | Body | Cast Iron - ASTM A 126-B |
| 2 | Body Seat Ring | Cast Bronze - ASTM B 62 |
| 3 | Wedge Seat Ring | Cast Bronze - ASTM B 62 |
| 4 | Wedge | Cast Iron - ASTM A 126-B |
| 5 | Stem | Brass - ASTM B 16 |
| 6 | Gasket | Graphite - Non-Asbestos |
| 7 | Bolt | Steel - ASTM A 307 B |
| 8 | Nut | Steel - ASTM A 563 B |
| 9 | Bonnet | Cast Iron - ASTM A 126-B |
| 10 | Packing | Graphite - Non-Asbestos |
| 11 | Gland Follower | Ductile Iron - ASTM A536 65-45-12 |
| 12 | Bolt | Steel |
| 13 | Nut | Steel |
| 14 | Bolt | Steel |
| 15 | Nut | Steel |
| 16 | Yoke | Cast Iron - ASTM A 126-B |
| 17 | Stem Nut | Cast Brass - Mn-Brass |
| 18 | Screw | Steel |
| 19 | Nut | Cast Iron - ASTM A 126-B |
| 20 | Handwheel | Cast Iron - ASTM A 126-B |
| 21 | Identification Plate | Aluminium |
| 22 | Handwheel Nut | Steel |

Technical Data

| | |
|---------------------|-----------------|
| Max Pressure | 13.8 Bar |
| Working Temperature | -10°C to +230°C |

Dimensions in mm

This data sheet is designed as a guide and should not be regarded as wholly accurate in every detail. We reserve the right to amend the specification of any product without notice.

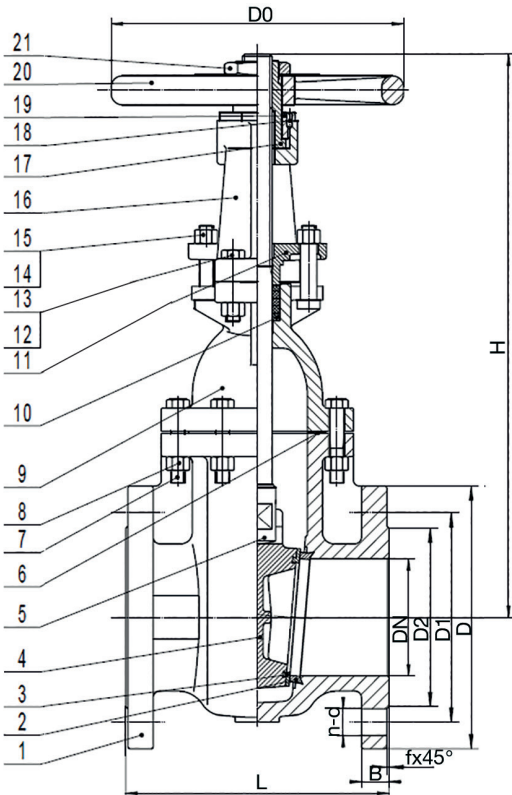
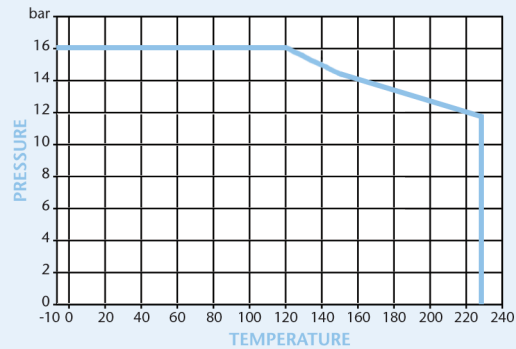
PN16 Cast Iron Rising Stem Gate Valve

Features

- Flange Mounting PN16 Only
- Flange conforms to BS EN1092 PN16
- Conforms to BS5150 (BS EN558-1 series 3)
- OSY rising stem



Pressure/Temperature



| | 2" | 2½" | 3" | 4" | 5" | 6" | 8" | 10" | 12" | 14" | 16" | 18" | 20" | 24" |
|-----|------|------|------|------|------|------|-------|-------|-------|-------|-------|-------|-------|-------|
| L | 178 | 190 | 203 | 229 | 254 | 267 | 292 | 330 | 356 | 381 | 406 | 432 | 457 | 508 |
| D | 165 | 185 | 200 | 220 | 250 | 285 | 340 | 405 | 460 | 520 | 580 | 640 | 715 | 840 |
| D1 | 125 | 145 | 160 | 180 | 210 | 240 | 295 | 355 | 410 | 470 | 525 | 585 | 650 | 770 |
| D2 | 99 | 118 | 132 | 156 | 184 | 211 | 266 | 319 | 370 | 429 | 480 | 548 | 609 | 720 |
| B | 20 | 20 | 22 | 24 | 26 | 26 | 30 | 32 | 32 | 36 | 38 | 40 | 42 | 48 |
| n-d | 4-19 | 4-19 | 8-19 | 8-19 | 8-19 | 8-23 | 12-23 | 12-28 | 12-28 | 16-28 | 16-31 | 20-31 | 20-34 | 20-37 |
| D0 | 178 | 178 | 200 | 254 | 300 | 300 | 348 | 400 | 457 | 560 | 560 | 610 | 610 | 765 |
| f | 3 | 3 | 3 | 3 | 3 | 3 | 3 | 3 | 4 | 4 | 4 | 4 | 4 | 5 |
| H | 311 | 347 | 384 | 490 | 541 | 656 | 778 | 933 | 1102 | 1259 | 1395 | 1560 | 1708 | 1990 |
| Kgs | 17.8 | 23.3 | 28.2 | 45.8 | 69 | 86.2 | 125 | 206 | 278 | 421 | 596 | 771 | 896 | 1300 |

| N. | Part Name | Materials |
|----|---------------------|--|
| 1 | Body | Cast Iron - BS EN1561 EN-GJL-250 |
| 2 | Seat Ring | Cast Bronze - ASTM B62 |
| 3 | Seat Ring | Cast Bronze - ASTM B62 |
| 4 | Wedge | Cast Iron - BS EN1561 EN-GJL-250 |
| 5 | Stem | Stainless Steel - BS970 420S37 |
| 6 | Gasket | Graphite |
| 7 | Bolt | Steel - BS970 43A |
| 8 | Nut | Steel - BS970 43A |
| 9 | Bonnet | Cast Iron - BS EN1561 EN-GJL-250 |
| 10 | Packing | Graphite |
| 11 | Gland Follower | Ductile Iron - BS EN1563 EN-GJS-450-10 |
| 12 | Bolt | Steel - BS970 43A |
| 13 | Nut | Steel - BS970 43A |
| 14 | Gland Follower Bolt | Steel - BS970 43A |
| 15 | Nut | Steel - BS970 43A |
| 16 | Yoke | Cast Iron - BS EN1561 EN-GJL-250 |
| 17 | Yoke Bushing | Cast Brass - BS1400 PCB1 |
| 18 | Screw | Steel - BS970 43A |
| 19 | Yoke Bushing Nut | Cast Iron - BS EN1561 EN-GJL-250 |
| 20 | Handwheel | Cast Iron - BS EN1561 EN-GJL-250 |
| 21 | Handwheel Nut | Steel - BS970 43A |

Technical Data

| | |
|---------------------|-----------------|
| Max Pressure | 16 Bar |
| Working Temperature | -10°C to +230°C |

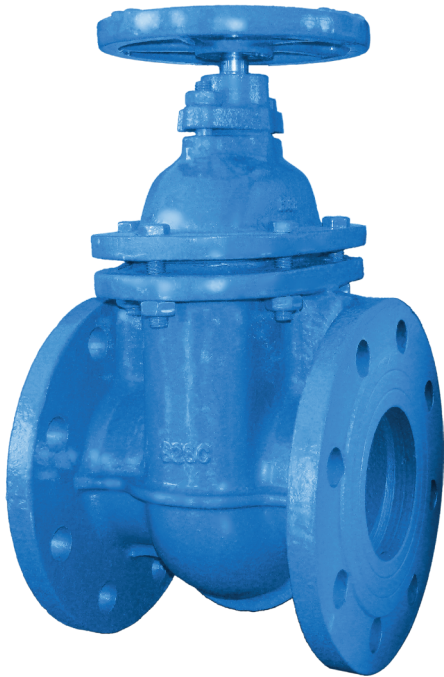
Dimensions in mm

This data sheet is designed as a guide and should not be regarded as wholly accurate in every detail. We reserve the right to amend the specification of any product without notice.

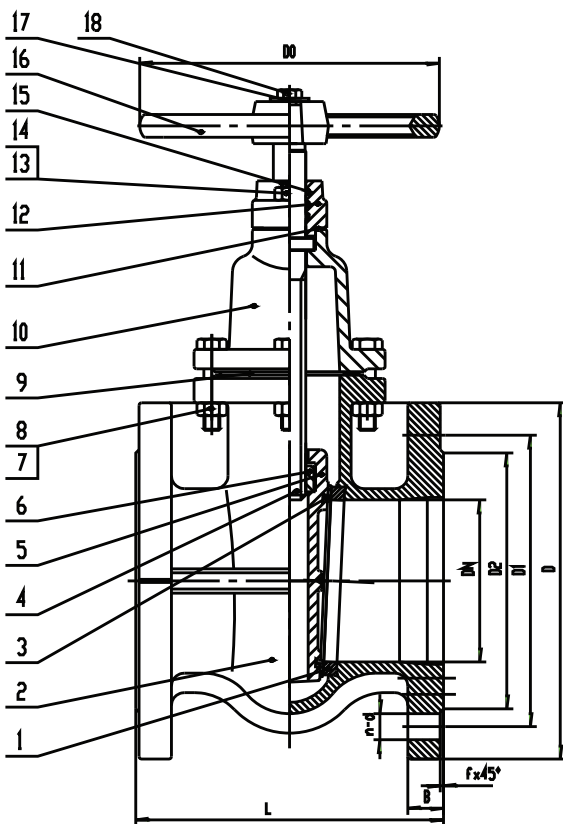
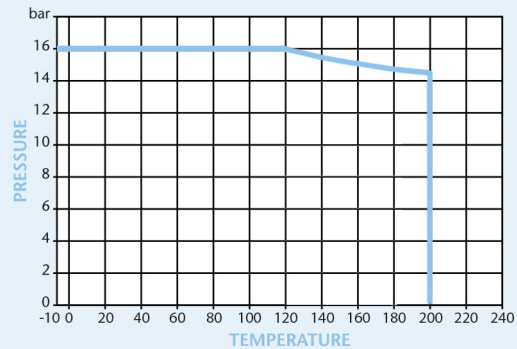
PN16 Ductile Iron Gate Valve

Features

- Flange Mounting PN16 Only
- BS EN 558-1 Series 14
- DIN 3352F4



Pressure/Temperature



| DN | 50 | 65 | 80 | 100 | 125 | 150 | 200 | 250 | 300 |
|-----|------|------|------|------|------|------|-------|-------|-------|
| L | 150 | 170 | 180 | 190 | 200 | 210 | 230 | 250 | 270 |
| D | 165 | 185 | 200 | 220 | 250 | 285 | 340 | 405 | 460 |
| D1 | 125 | 145 | 160 | 180 | 210 | 240 | 295 | 355 | 410 |
| D2 | 102 | 124 | 140 | 158 | 188 | 212 | 268 | 320 | 378 |
| B | 16 | 16 | 17 | 17 | 18 | 20 | 21 | 23 | 24 |
| f | 2 | 2 | 2 | 2 | 3 | 3 | 3 | 3 | 4 |
| n-d | 4-19 | 4-19 | 8-19 | 8-19 | 8-19 | 8-23 | 12-23 | 12-28 | 12-28 |
| D0 | 130 | 130 | 150 | 185 | 185 | 195 | 225 | 245 | 285 |
| Kgs | 10.8 | 12.8 | 16.6 | 22.8 | 32.1 | 42.9 | 71.3 | 98 | 145 |

Technical Data

| | |
|---------------------|-----------------|
| Pressure | 16 Bar |
| Working Temperature | -10°C to +200°C |

Dimensions in mm

This data sheet is designed as a guide and should not be regarded as wholly accurate in every detail. We reserve the right to amend the specification of any product without notice.

| N. | Part Name | Materials |
|----|---------------------|-----------------|
| 1 | Body Seat Ring | Cast Brass |
| 2 | Body | Ductile Iron |
| 3 | Wedge Seat Ring | Cast Brass |
| 4 | Stem | Stainless Steel |
| 5 | Wedge | Ductile Iron |
| 6 | Stem Nut | Cast Brass |
| 7 | Bolt | Steel |
| 8 | Nut | Steel |
| 9 | Flange Gasket | Graphite |
| 10 | Bonnet | Ductile Iron |
| 11 | Stuffing Box Gasket | Graphite |
| 12 | Stuffing Box | Ductile Iron |
| 13 | Bolt | Steel |
| 14 | Nut | Steel |
| 15 | O-Ring | NBR |
| 16 | Handwheel | Cast Iron |
| 17 | Washer | Steel |
| 18 | Bolt | Steel |



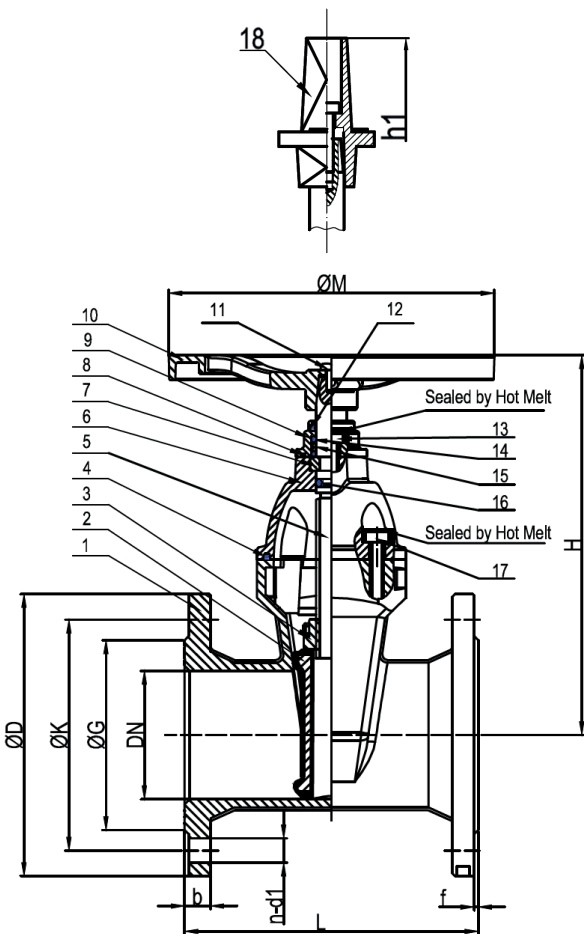
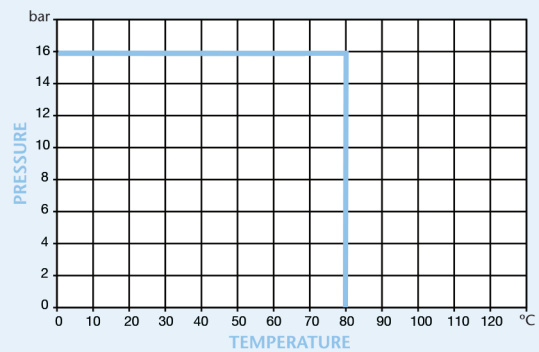
Handwheel, gearbox or cap top operation

PN16 Ductile Iron Resilient Seat Gate Valve

Features

- BS5163, Type B cover and stem
- Non rising stem, clockwise closing
- Flange mounting to EN1092-2 PN16
- Face to face length to EN558-1 Series 3
- WRAS Approved
- Internally and externally fusion bonded epoxy coated

Pressure/Temperature



| | 1½" | 2" | 2½" | 3" | 4" | 5" | 6" | 8" | 10" | 12" | 14" | 16" | 18" | 20" | 24" |
|------|--------|--------|--------|--------|--------|--------|--------|---------|---------|---------|---------|---------|---------|---------|---------|
| L | 165 | 178 | 190 | 203 | 229 | 254 | 267 | 292 | 330 | 356 | 381 | 406 | 432 | 457 | 508 |
| H | 190 | 215 | 235 | 265 | 315 | 350 | 385 | 485 | 600 | 680 | 810 | 890 | 1050 | 1230 | 1260 |
| M | 200 | 200 | 200 | 254 | 254 | 315 | 315 | 315 | 406 | 406 | 500 | 500 | 500 | 650 | 650 |
| h1 | 260 | 285 | 300 | 320 | 390 | 430 | 470 | 560 | 680 | 770 | 900 | 1000 | 1150 | 1330 | 1510 |
| D | 150 | 165 | 185 | 200 | 220 | 250 | 285 | 340 | 405 | 460 | 520 | 580 | 640 | 715 | 840 |
| K | 110 | 125 | 145 | 160 | 180 | 210 | 240 | 295 | 355 | 410 | 470 | 525 | 585 | 650 | 770 |
| G | 84 | 99 | 118 | 132 | 156 | 184 | 211 | 266 | 319 | 370 | 429 | 480 | 548 | 609 | 720 |
| n-d1 | 4- Ø19 | 4- Ø19 | 4- Ø19 | 8- Ø19 | 8- Ø19 | 8- Ø19 | 8- Ø19 | 12- Ø23 | 12- Ø23 | 12- Ø28 | 16- Ø28 | 16- Ø31 | 20- Ø31 | 20- Ø34 | 20- Ø37 |
| b | 19 | 19 | 19 | 19 | 19 | 19 | 19 | 20 | 22 | 24.5 | 26.5 | 28 | 30 | 31.5 | 36 |
| f | 3 | 3 | 3 | 3 | 3 | 3 | 3 | 3 | 3 | 4 | 4 | 4 | 4 | 4 | 5 |
| Kgs | 7 | 9 | 12 | 14 | 19 | 24 | 31 | 52 | 87 | 116 | 185 | 225 | 360 | 450 | 690 |

| N. | Part Name | Materials |
|----|---------------|---|
| 1 | Body | Ductile Iron GGG50 - BS2789 |
| 2 | Disc | Ductile Iron GGG50 + EPDM (WRAS)-BS2789 |
| 3 | Stem Nut | Brass HPb59-1 - BS2872-2874 |
| 4 | Bonnet Gasket | EPDM (WRAS) - ISO4633 |
| 5 | Stem | Stainless Steel 316 - BS970 |
| 6 | Bonnet | Ductile Iron GGG50 - BS2789 |
| 7 | Holding Ring | Brass HPb59-1 - BS2872-2874 |
| 8 | O-Ring | EPDM (WRAS) - ISO4633 |
| 9 | Gland | Ductile Iron GGG50 - BS2789 |
| 10 | Hand Wheel | Ductile Iron GGG50 - BS2789 |
| 11 | Screw | Stainless Steel 316 - BS970 |
| 12 | Dust Ring | EPDM (WRAS) - ISO4633 |
| 13 | Gland Bolts | Stainless Steel 316 - BS970 |
| 14 | O-Ring | EPDM (WRAS) - ISO4633 |
| 15 | Washers | Nylon 66 |
| 16 | O-Ring | EPDM (WRAS) - ISO4633 |
| 17 | Bonnet Bolts | Stainless Steel 316 - BS970 |
| 18 | Cap Top | Ductile Iron GGG50 - BS2789 |

Technical Data

Maximum Pressure 16 Bar
Working Temperature 0°C to +80°C

Dimensions in mm

This data sheet is designed as a guide and should not be regarded as wholly accurate in every detail. We reserve the right to amend the specification of any product without notice.

PN25 Ductile Iron Resilient Seat Gate Valve

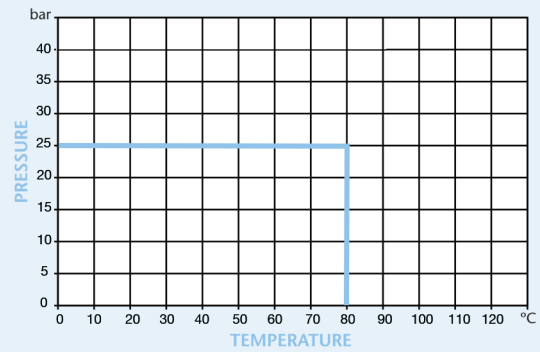
Features

- BS5163, Type B cover and stem
- Non rising stem, clockwise closing
- Flange mounting to EN1092-2 PN25
- Face to face length to EN558-1 Series 3
- WRAS Approved EPDM
- Internally and externally fusion bonded epoxy coated WRAS approved



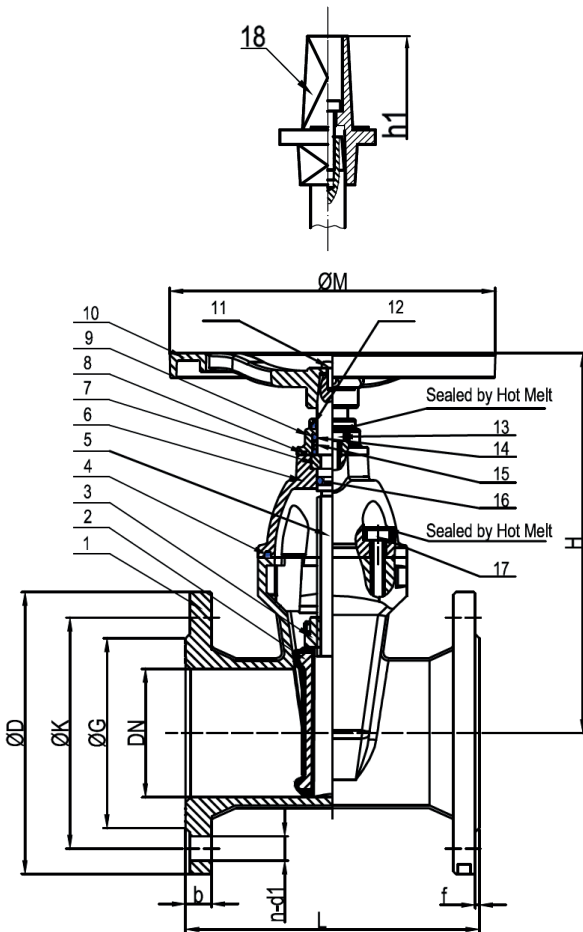
Handwheel, gearbox or cap top operation

Pressure/Temperature



| | 2" | 2½" | 3" | 4" | 5" | 6" | 8" | 10" | 12" |
|------|-------|-------|-------|-------|-------|-------|--------|--------|--------|
| L | 178 | 190 | 203 | 229 | 254 | 267 | 292 | 330 | 356 |
| H | 215 | 235 | 265 | 315 | 350 | 385 | 485 | 600 | 680 |
| M | 200 | 200 | 254 | 254 | 315 | 315 | 315 | 406 | 406 |
| h1 | 285 | 300 | 320 | 390 | 430 | 470 | 560 | 680 | 770 |
| D | 165 | 185 | 200 | 235 | 270 | 300 | 360 | 425 | 485 |
| K | 125 | 145 | 160 | 190 | 220 | 250 | 310 | 370 | 430 |
| G | 99 | 118 | 132 | 156 | 184 | 211 | 274 | 330 | 389 |
| n-d1 | 4-Ø19 | 8-Ø19 | 8-Ø19 | 8-Ø23 | 8-Ø28 | 8-Ø28 | 12-Ø28 | 12-Ø31 | 16-Ø31 |
| b | 19 | 19 | 19 | 19 | 19 | 20 | 22 | 25 | 28 |
| f | 3 | 3 | 3 | 3 | 3 | 3 | 3 | 3 | 4 |
| Kgs | 9 | 12 | 14 | 19 | 24 | 31 | 52 | 87 | 116 |

| N. | Part Name | Materials |
|----|---------------|---|
| 1 | Body | Ductile Iron GGG50 - BS2789 |
| 2 | Disc | Ductile Iron GGG50 + EPDM (WRAS)-BS2789 |
| 3 | Stem Nut | Brass HPb59-1 - BS2872-2874 |
| 4 | Bonnet Gasket | EPDM (WRAS) - ISO4633 |
| 5 | Stem | Stainless Steel 316 - BS970 |
| 6 | Bonnet | Ductile Iron GGG50 - BS2789 |
| 7 | Holding Ring | Brass HPb59-1 - BS2872-2874 |
| 8 | O-Ring | EPDM (WRAS) - ISO4633 |
| 9 | Gland | Ductile Iron GGG50 - BS2789 |
| 10 | Hand Wheel | Ductile Iron GGG50 - BS2789 |
| 11 | Screw | Stainless Steel 316 - BS970 |
| 12 | Dust Ring | EPDM (WRAS) - ISO4633 |
| 13 | Gland Bolts | Stainless Steel 316 - BS970 |
| 14 | O-Ring | EPDM (WRAS) - ISO4633 |
| 15 | Washers | Nylon 66 |
| 16 | O-Ring | EPDM (WRAS) - ISO4633 |
| 17 | Bonnet Bolts | Stainless Steel 316 - BS970 |
| 18 | Cap Top | Ductile Iron GGG50 - BS2789 |



Technical Data

Maximum Pressure 25 Bar
Working Temperature 0°C to +80°C

Dimensions in mm

This data sheet is designed as a guide and should not be regarded as wholly accurate in every detail. We reserve the right to amend the specification of any product without notice.

ANSI 125 Ductile Iron Resilient Seat Gate Valve

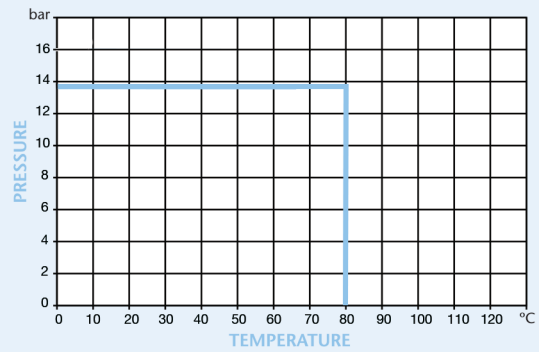
Features

- BS5163, Type B cover and stem
- Non rising stem, clockwise closing
- Flange mounting to ANSI 125 (B16.1)
- Face to face length to EN558-1 Series 3
- WRAS Approved EPDM
- Internally and externally fusion bonded epoxy coated WRAS approved



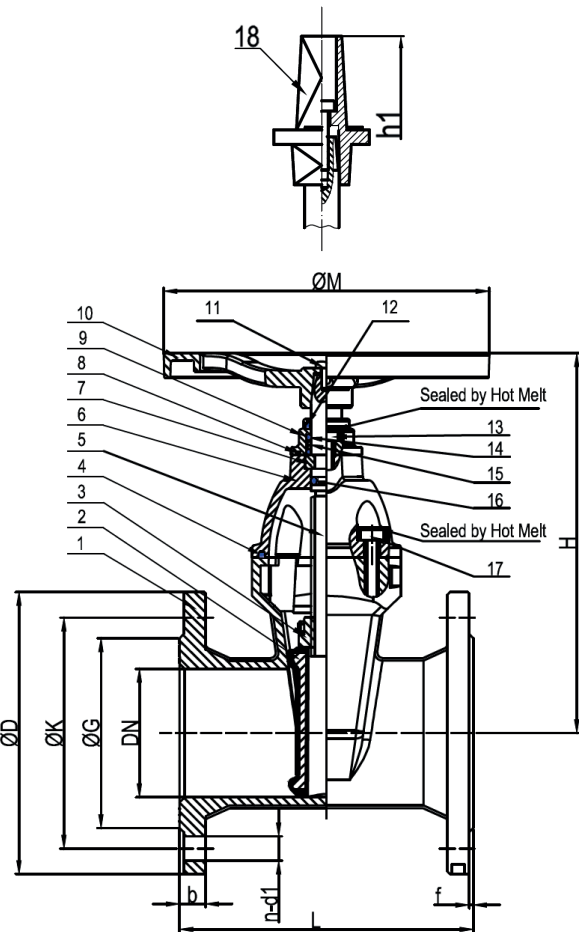
Handwheel, gearbox or cap top operation

Pressure/Temperature



| | 2" | 2½" | 3" | 4" | 5" | 6" | 8" | 10" | 12" | 14" | 16" | 18" | 20" | 24" |
|------|-----------|-----------|-----------|-----------|-----------|-----------|-----------|------------|------------|------------|------------|------------|------------|------------|
| L | 178 | 190 | 203 | 229 | 254 | 267 | 292 | 330 | 356 | 381 | 406 | 432 | 457 | 508 |
| H | 215 | 235 | 265 | 315 | 350 | 385 | 485 | 600 | 680 | 810 | 890 | 1050 | 1230 | 1260 |
| M | 200 | 200 | 254 | 254 | 315 | 315 | 315 | 406 | 406 | 500 | 500 | 500 | 650 | 650 |
| h1 | 285 | 300 | 320 | 390 | 430 | 470 | 560 | 680 | 770 | 900 | 1000 | 1150 | 1330 | 1510 |
| D | 165 | 185 | 200 | 220 | 250 | 285 | 340 | 405 | 483 | 520 | 580 | 640 | 715 | 840 |
| K | 121 | 140 | 152 | 191 | 216 | 241 | 298 | 362 | 432 | 476 | 540 | 578 | 635 | 749 |
| G | 99 | 118 | 132 | 156 | 184 | 211 | 266 | 319 | 370 | 429 | 480 | 548 | 609 | 720 |
| n-d1 | 4- Ø19 | 4- Ø19 | 4- Ø19 | 8- Ø19 | 8- Ø19 | 8- Ø22 | 8- Ø22 | 12- Ø25 | 12- Ø25 | 12- Ø28 | 16- Ø28 | 16- Ø32 | 20- Ø32 | 20- Ø35 |
| b | 19 | 19 | 19 | 19 | 19 | 19 | 20 | 22 | 24.5 | 26.5 | 28 | 30 | 31.5 | 36 |
| f | 3 | 3 | 3 | 3 | 3 | 3 | 3 | 3 | 4 | 4 | 4 | 4 | 4 | 5 |
| Kgs | 9 | 12 | 14 | 19 | 24 | 31 | 52 | 87 | 116 | 185 | 225 | 360 | 450 | 690 |

| N. | Part Name | Materials |
|----|---------------|---|
| 1 | Body | Ductile Iron GGG50 - BS2789 |
| 2 | Disc | Ductile Iron GGG50 + EPDM (WRAS)-BS2789 |
| 3 | Stem Nut | Brass HPb59-1 - BS2872-2874 |
| 4 | Bonnet Gasket | EPDM (WRAS) - ISO4633 |
| 5 | Stem | Stainless Steel 316 - BS970 |
| 6 | Bonnet | Ductile Iron GGG50 - BS2789 |
| 7 | Holding Ring | Brass HPb59-1 - BS2872-2874 |
| 8 | O-Ring | EPDM (WRAS) - ISO4633 |
| 9 | Gland | Ductile Iron GGG50 - BS2789 |
| 10 | Hand Wheel | Ductile Iron GGG50 - BS2789 |
| 11 | Screw | Stainless Steel 316 - BS970 |
| 12 | Dust Ring | EPDM (WRAS) - ISO4633 |
| 13 | Gland Bolts | Stainless Steel 316 - BS970 |
| 14 | O-Ring | EPDM (WRAS) - ISO4633 |
| 15 | Washers | Nylon 66 |
| 16 | O-Ring | EPDM (WRAS) - ISO4633 |
| 17 | Bonnet Bolts | Stainless Steel 316 - BS970 |
| 18 | Cap Top | Ductile Iron GGG50 - BS2789 |



Technical Data

Maximum Pressure 13.8 Bar
Working Temperature 0°C to +80°C

Dimensions in mm

This data sheet is designed as a guide and should not be regarded as wholly accurate in every detail. We reserve the right to amend the specification of any product without notice.

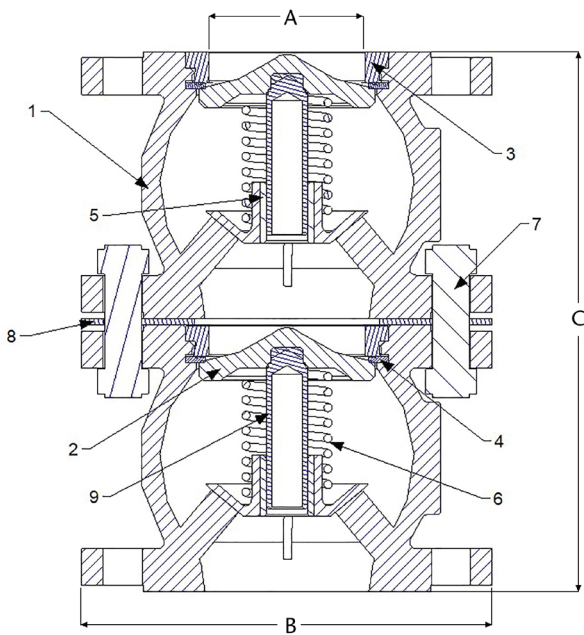
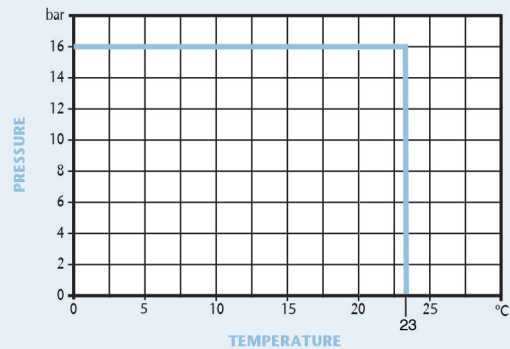
Ductile Iron PN16 Flanged Double Check Valve

Features

- Flange mounting PN16 only (EN 1092-2)
- Epoxy coat finish
- Operates in any position
- WRAS Approved as a non-return valve



Pressure / Temperature



| DN | 50 | 65 | 80 | 100 | 125 | 150 | 200 | 250 |
|-----|-----|------|------|-----|-----|-----|-----|-----|
| A | 50 | 65 | 80 | 100 | 125 | 150 | 200 | 250 |
| B | 165 | 185 | 200 | 220 | 250 | 285 | 340 | 405 |
| C | 205 | 245 | 265 | 315 | 405 | 465 | 565 | 693 |
| Kgs | 12 | 16.2 | 17.2 | 25 | 40 | 60 | 100 | 188 |

| N | Part Name | Material |
|---|---------------|-------------------------------|
| 1 | Body | Ductile Iron SG 420/12 |
| 2 | Plunger Top | Delrin 150 |
| 3 | Sealing Ring | Delrin 150 |
| 4 | Seal | Nitrile 70 Shore |
| 5 | Guide Bush | Cz132 DZR Brass |
| 6 | Spring | Stainless Steel Grade 304 S26 |
| 7 | Studs | Mild Steel (Plated) |
| 8 | Gasket | Nitrile 70 Shore |
| 9 | Plunger Shaft | Cz132 DZR Brass |

Technical Data

Maximum Pressure 16 Bar
 Working Temperature 0°C to +23°C

Dimensions in mm

This data sheet is designed as a guide and should not be regarded as wholly accurate in every detail. We reserve the right to amend the specification of any product without notice.

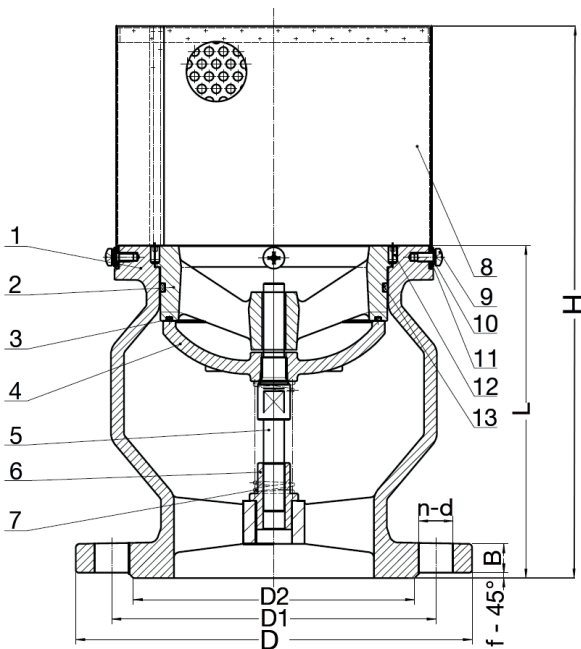
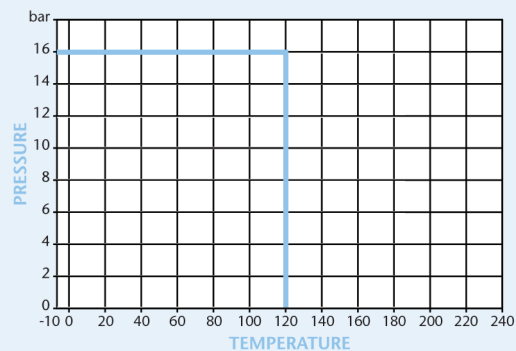
PN16 Ductile Iron Foot Valve

Features

- Flange conforms to BS EN1092 PN16
- Valve design conforms to BS EN12334
- Valve inspection and testing in accordance with BS EN12266



Pressure/Temperature



| | 2" | 2½" | 3" | 4" | 5" | 6" | 8" | 10" | 12" | 14" | 16" |
|-----|------|------|------|------|------|------|-------|-------|-------|-------|-------|
| L | 133 | 140 | 152 | 185 | 216 | 230 | 259 | 362 | 393 | 400 | 448 |
| H | 204 | 236 | 263 | 326 | 382 | 422 | 470 | 602 | 683 | 720 | 808 |
| D | 165 | 185 | 200 | 220 | 250 | 285 | 340 | 405 | 460 | 520 | 580 |
| D1 | 125 | 145 | 160 | 180 | 210 | 240 | 295 | 355 | 410 | 470 | 525 |
| D2 | 99 | 118 | 132 | 156 | 184 | 211 | 266 | 319 | 370 | 429 | 480 |
| B | 19 | 19 | 19 | 19 | 19 | 19 | 20 | 22 | 25 | 27 | 28 |
| f | 3 | 3 | 3 | 3 | 3 | 3 | 3 | 3 | 4 | 4 | 4 |
| n-d | 4-19 | 4-19 | 8-19 | 8-19 | 8-19 | 8-23 | 12-23 | 12-28 | 12-28 | 16-28 | 16-31 |
| Kgs | 6.7 | 8.1 | 9.3 | 13.1 | 17.9 | 24.2 | 39.6 | 69 | 89.6 | 138.1 | 190.4 |

| N. | Part Name | Materials |
|----|-----------|--|
| 1 | Body | Ductile Iron - BS EN1563 EN-GJS-450-10 |
| 2 | Seat Body | Ductile Iron - BS EN1563 EN-GJS-450-10 |
| 3 | Seat | EPDM |
| 4 | Disc | Ductile Iron - BS EN1563 EN-GJS-450-10 |
| 5 | Stem | Stainless Steel - BS970 304S15 |
| 6 | Bushing | Brass - BS2874 CZ122 |
| 7 | Spring | Stainless Steel - BS970 304S15 |
| 8 | Screen | Stainless Steel - BS970 304S15 |
| 9 | Screw | Stainless Steel - BS970 304S15 |
| 10 | Washer | Stainless Steel - BS970 304S15 |
| 11 | Washer | Stainless Steel - BS970 304S15 |
| 12 | Screw | Stainless Steel - BS970 304S15 |
| 13 | Seat | EPDM |

Technical Data

| | |
|---------------------|-----------------|
| Max Pressure | 16 Bar |
| Working Temperature | -10°C to +120°C |

Dimensions in mm

This data sheet is designed as a guide and should not be regarded as wholly accurate in every detail. We reserve the right to amend the specification of any product without notice.

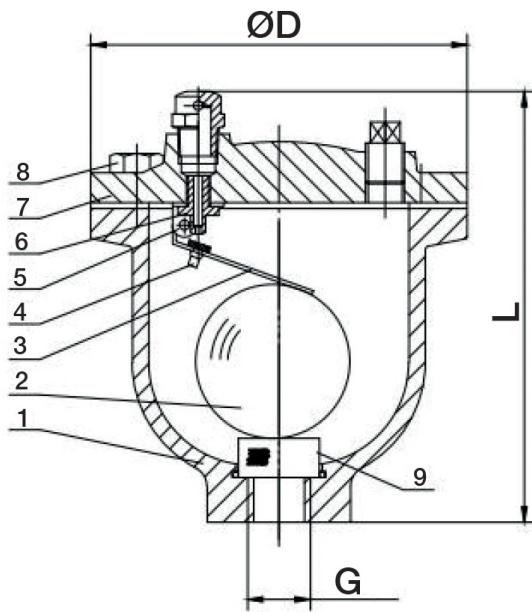
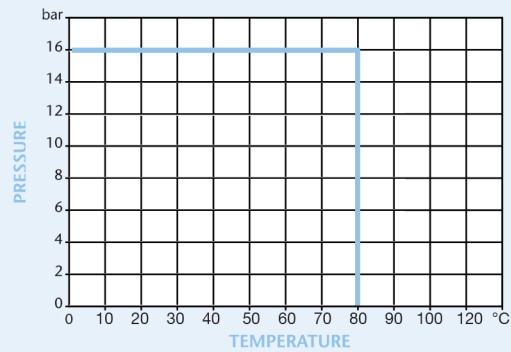
Single Air Release Valve

Features

- Available in Screwed BSP Taper (ISO 7/1) or NPT (ANSI B1.20.1)
- WRAS approved coating
- Internally and externally fusion bonded epoxy coated



Pressure/Temperature



| | 15 | 20 | 25 | 32 | 40 | 50 |
|---------------|------|------|------|--------|--------|------|
| G | 1/2" | 3/4" | 1" | 1 1/4" | 1 1/2" | 2" |
| D | 118 | 118 | 118 | 145 | 145 | 145 |
| L | 145 | 145 | 145 | 225 | 225 | 225 |
| Outlet | 1/4" | 1/4" | 1/4" | 1/4" | 1/4" | 1/4" |
| Air Vent Hole | Ø1.6 | Ø1.6 | Ø1.6 | Ø1.6 | Ø1.6 | Ø1.6 |
| Kgs | 2.50 | 2.40 | 2.30 | 5.80 | 5.50 | 5.30 |

| N. | Part Name | Materials |
|----|------------|-------------------------|
| 1 | Body | Ductile Iron - QT450-10 |
| 2 | Float Ball | Stainless Steel 304 |
| 3 | Lever | Stainless Steel 304 |
| 4 | Plug | NBR |
| 5 | Lever Seat | Stainless Steel 304 |
| 6 | Seat | Stainless Steel 304 |
| 7 | Cover | Ductile Iron - QT450-10 |
| 8 | Screw | Stainless Steel A2-70 |
| 9 | Screen | Stainless Steel 304 |

Technical Data

| | |
|---------------------|--------------|
| Max Pressure | 16 Bar |
| Working Temperature | 0°C to +80°C |

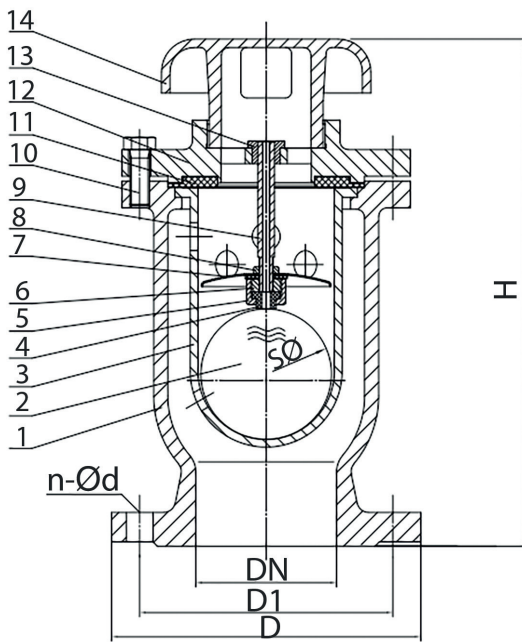
Dimensions in mm

This data sheet is designed as a guide and should not be regarded as wholly accurate in every detail. We reserve the right to amend the specification of any product without notice.

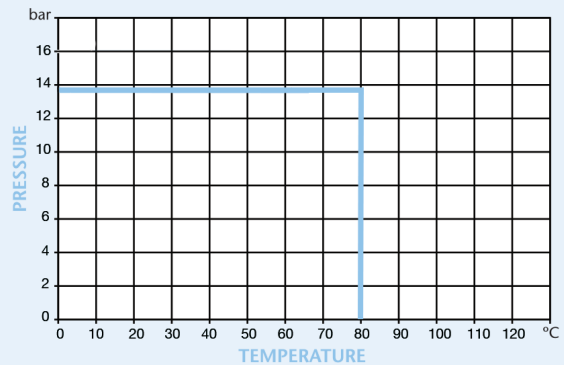
Flanged Air Release Valve

Features

- Flange Mounting ANSI 125 (B16.1)
- Flange conforms to ASME B16.10
- WRAS approved coating
- Internally and externally fusion bonded epoxy coated



Pressure/Temperature



| DN | 50 | 65 | 80 | 100 | 150 | 200 | 250 | 300 |
|-----|-----------|-----------|-----------|-----------|-------------|-------------|--------------|--------------|
| D | 152 | 178 | 191 | 229 | 279 | 343 | 406 | 483 |
| D1 | 120.5 | 139.5 | 152.5 | 190.5 | 241.5 | 298.5 | 362.0 | 432.0 |
| n-d | 4- Ø19 | 4- Ø19 | 4- Ø19 | 8- Ø19 | 8- Ø22.4 | 8- Ø22.4 | 12- Ø25.4 | 12- Ø25.4 |
| H | 330 | 365 | 365 | 387 | 465 | 495 | 525 | 587 |
| SØ | 94 | 94 | 94 | 94 | 135 | 160 | 200 | 250 |
| Kgs | 16.0 | 20.0 | 22.5 | 50.0 | 55.0 | 68.0 | 75.0 | 96.0 |

| N. | Part Name | Materials |
|----|-----------|----------------------------------|
| 1 | Body | Ductile Iron - ASTM A536 |
| 2 | Ball | Stainless Steel - A351 Grade CF8 |
| 3 | Sleeve | Ductile Iron - ASTM A536 |
| 4 | Seat | NBR - ASTM D1349 |
| 5 | Bearing | Brass - ASTM B124M |
| 6 | Plug | Brass - ASTM B124M |
| 7 | Guide | Stainless Steel - ASTM A276 CF8 |
| 8 | Nut | Brass - ASTM B124M |
| 9 | Stem | Brass - ASTM B124M |
| 10 | Bolt | Stainless Steel - ASTM A276 CF8 |
| 11 | Washer | NBR - ASTM D1349 |
| 12 | Bonnet | Ductile Iron - ASTM A536 |
| 13 | Bush | Brass - ASTM B124M |
| 14 | Cover | Ductile Iron - ASTM A536 |

Technical Data

| | |
|---------------------|--------------|
| Max Pressure | 13.8 Bar |
| Working Temperature | 0°C to +80°C |

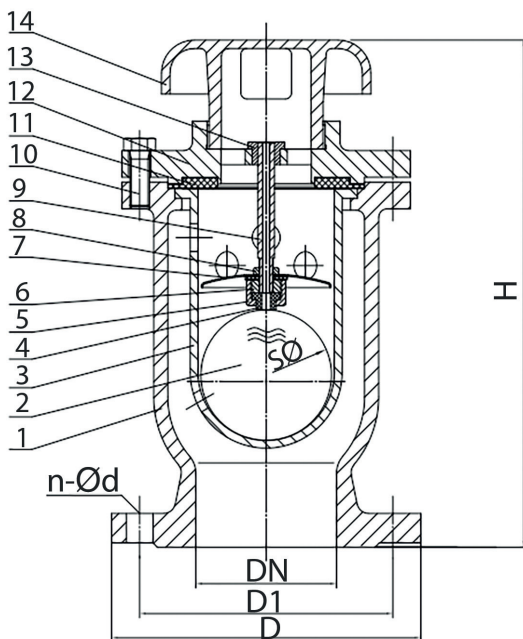
Dimensions in mm

This data sheet is designed as a guide and should not be regarded as wholly accurate in every detail. We reserve the right to amend the specification of any product without notice.

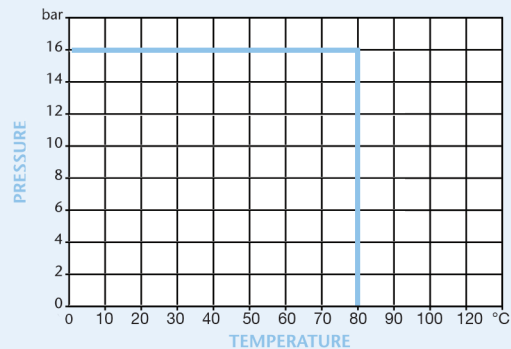
Flanged Air Release Valve

Features

- Flange Mounting PN16 Only
- Flange conforms to BS EN1092 PN16
- WRAS approved coating
- Internally and externally fusion bonded epoxy coated



Pressure/Temperature



| DN | 50 | 65 | 80 | 100 | 150 | 200 | 250 | 300 |
|-----|-------|-------|-------|-------|-------|--------|--------|--------|
| D | 165 | 185 | 200 | 220 | 285 | 340 | 405 | 460 |
| D1 | 125 | 145 | 160 | 180 | 240 | 295 | 355 | 410 |
| n-d | 4-Ø19 | 4-Ø19 | 8-Ø19 | 8-Ø19 | 8-Ø23 | 12-Ø23 | 12-Ø28 | 12-Ø28 |
| H | 330 | 365 | 365 | 387 | 465 | 495 | 525 | 587 |
| SØ | 94 | 94 | 94 | 94 | 135 | 160 | 200 | 250 |
| Kgs | 16.0 | 20.0 | 22.5 | 50.0 | 55.0 | 68.0 | 75.0 | 96.0 |

| N. | Part Name | Materials |
|----|-----------|--|
| 1 | Body | Ductile Iron - BS EN1563 |
| 2 | Ball | Stainless Steel - EN10213 GX5CrNi19-10 |
| 3 | Sleeve | Ductile Iron - BS EN1563 |
| 4 | Seat | NBR - EN681 |
| 5 | Bearing | Brass - EN12166 |
| 6 | Plug | Brass - EN12166 |
| 7 | Guide | Stainless Steel - EN10213 GX5CrNi19-10 |
| 8 | Nut | Brass - EN12166 |
| 9 | Stem | Brass - EN12166 |
| 10 | Bolt | Stainless Steel - BS970 304S15 |
| 11 | Washer | NBR - EN681 |
| 12 | Bonnet | Ductile Iron - BS EN1563 |
| 13 | Bush | Brass - EN12166 |
| 14 | Cover | Ductile Iron - BS EN1563 |

Technical Data

Max Pressure 16 Bar
Working Temperature 0°C to +80°C

Dimensions in mm

This data sheet is designed as a guide and should not be regarded as wholly accurate in every detail. We reserve the right to amend the specification of any product without notice.

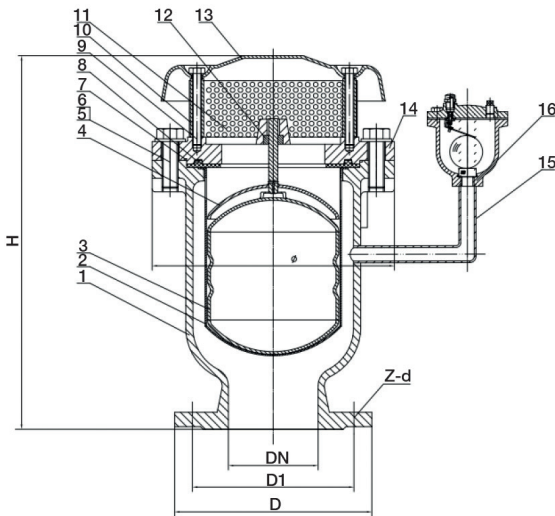
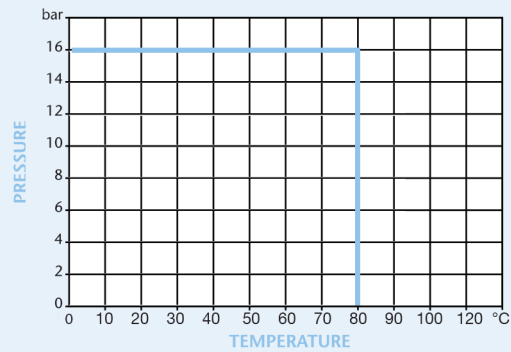
Flanged Double Orifice Air Release Valve

Features

- Flange Mounting PN16 Only
- Flange conforms to BS EN1092 PN16
- WRAS approved coating
- Internally and externally fusion bonded epoxy coated



Pressure/Temperature



| DN | 50 | 65 | 80 | 100 | 150 | 200 |
|-----|------|------|------|------|------|----------------|
| H | 300 | 330 | 330 | 350 | 420 | 470 |
| D | 165 | 185 | 200 | 220 | 285 | 340 |
| D1 | 125 | 145 | 160 | 180 | 240 | 295 |
| Z-d | 4-19 | 4-19 | 8-19 | 8-19 | 8-23 | 8-23/ 12-23 |
| Ø | 305 | 330 | 330 | 345 | 385 | 440 |
| Kgs | 20 | 24 | 27 | 54 | 61 | 75 |

| N. | Part Name | Materials |
|----|-------------------|------------------------------------|
| 1 | Body | Ductile Iron |
| 2 | Sleeve | Stainless Steel 304 |
| 3 | Ball | Stainless Steel 304 |
| 4 | Disc | Stainless Steel 304 |
| 5 | Bolt | Stainless Steel 304 |
| 6 | Washer | Stainless Steel 304 |
| 7 | O-Ring | NBR |
| 8 | Gasket | NBR |
| 9 | Bolt | Stainless Steel 304 |
| 10 | Disc | Stainless Steel 304 |
| 11 | Screen | Stainless Steel 304 |
| 12 | Disc Guide | HPb59-1 |
| 13 | Cover | Ductile Iron |
| 14 | Adaptor | Ductile Iron |
| 15 | Fitting | Stainless Steel 304 |
| 16 | Air Release Valve | Ductile Iron + Stainless Steel 304 |

Technical Data

| | |
|---------------------|--------------|
| Max Pressure | 16 Bar |
| Working Temperature | 0°C to +80°C |

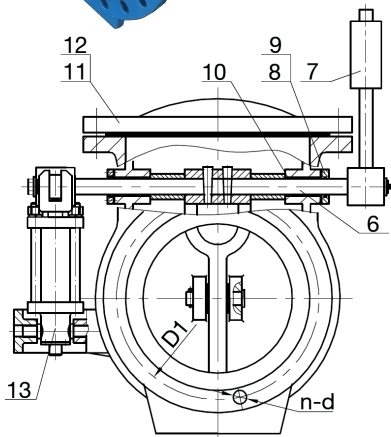
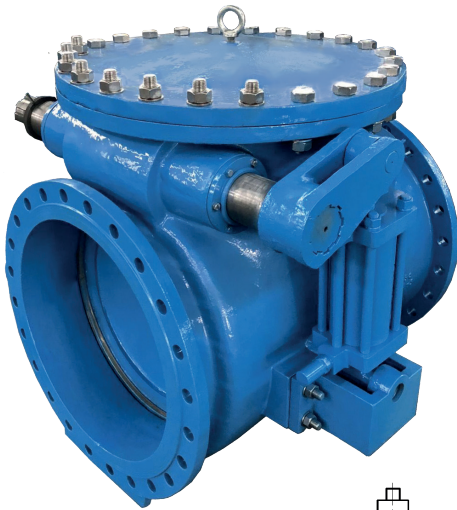
Dimensions in mm

This data sheet is designed as a guide and should not be regarded as wholly accurate in every detail. We reserve the right to amend the specification of any product without notice.

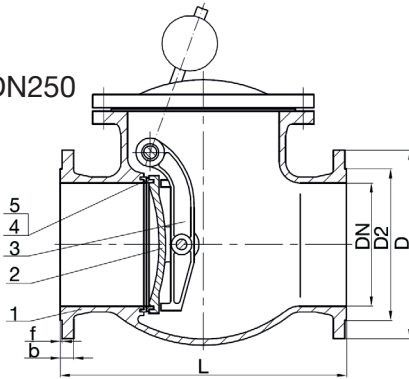
PN16 Ductile Iron Swing Check Valve, Lever, Weight & Damper

Features

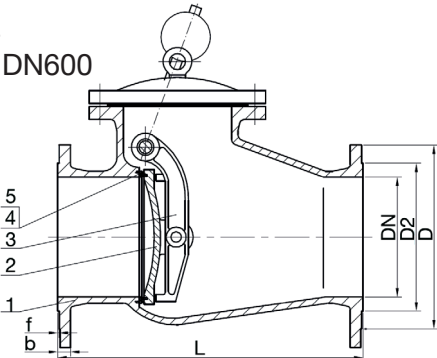
- Flange Mounting PN16 Only
- Flange conforms to BS EN1092 PN16
- Sizes DN80-400 conform to BS 5153 (BS EN558-1 Series 10)
- Fusion bonded Epoxy coat finish



For sizes
DN80 - DN250



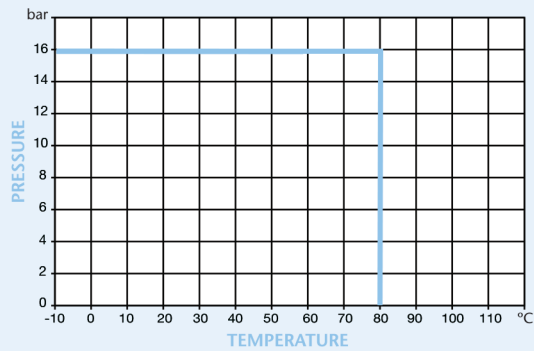
For sizes
DN300 - DN600



Technical Data

| | |
|---------------------|----------------|
| Max Pressure | 16 Bar |
| Working Temperature | -10°C to +80°C |

Pressure/Temperature

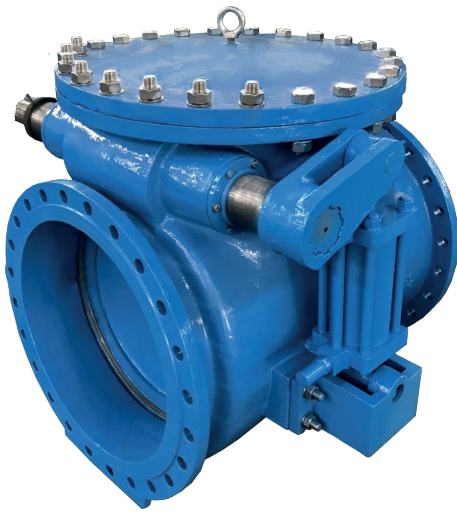


| | 80 | 100 | 125 | 150 | 200 | 250 | 300 | 350 | 400 | 450 | 500 | 600 |
|-----|------|------|------|------|-------|-------|-------|-------|-------|-------|-------|-------|
| L | 241 | 292 | 330 | 356 | 495 | 622 | 698 | 787 | 914 | 965 | 1067 | 1219 |
| D | 200 | 220 | 250 | 285 | 340 | 405 | 460 | 520 | 580 | 640 | 715 | 840 |
| D1 | 160 | 180 | 210 | 240 | 295 | 355 | 410 | 470 | 525 | 585 | 650 | 770 |
| D2 | 132 | 156 | 184 | 211 | 266 | 319 | 370 | 429 | 480 | 548 | 609 | 720 |
| b | 19 | 19 | 19 | 19 | 20 | 22 | 24.5 | 26.5 | 28 | 30 | 31.5 | 36 |
| n-d | 8-19 | 8-19 | 8-19 | 8-23 | 12-23 | 12-28 | 12-28 | 16-28 | 16-31 | 20-31 | 20-34 | 20-37 |
| f | 3 | 3 | 3 | 3 | 3 | 3 | 4 | 4 | 4 | 4 | 4 | 5 |
| Kgs | 28 | 45 | 69 | 86 | 180 | 272 | 340 | 462 | 598 | 722 | 900 | 1370 |

| N. | Part Name | Materials |
|----|-------------------|-----------------------------|
| 1 | Body | Ductile Iron - EN-GJS:500-7 |
| 2 | Disc | Ductile Iron - EN-GJS:500-7 |
| 3 | Rocker | Ductile Iron - EN-GJS:500-7 |
| 4 | Disc Sealing Ring | Gunmetal - LG2 |
| 5 | Body Sealing Ring | Gunmetal - LG2 |
| 6 | Shaft | Stainless Steel - SS420 |
| 7 | Lever & Weight | |
| 8 | Cover | Ductile Iron - EN-GJS:500-7 |
| 9 | O-Ring | EPDM |
| 10 | Bushes | Stainless Steel + PTFE |
| 11 | Bonnet | Ductile Iron - EN-GJS:500-7 |
| 12 | O-Ring | EPDM |
| 13 | Damping Cylinder | |

Dimensions in mm

This data sheet is designed as a guide and should not be regarded as wholly accurate in every detail. We reserve the right to amend the specification of any product without notice.

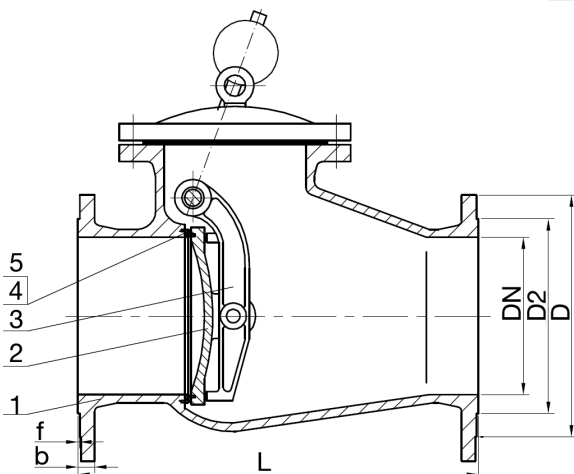
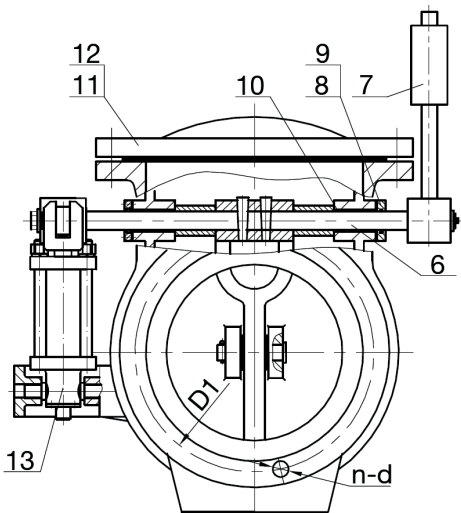
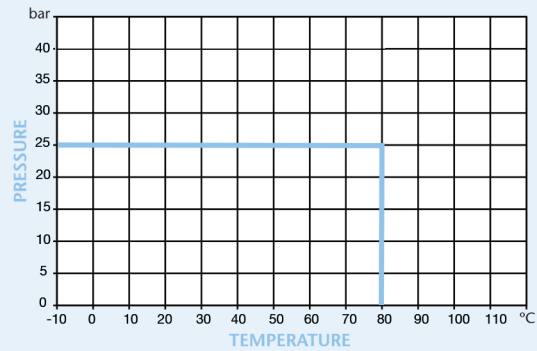


PN25 Ductile Iron Swing Check Valve, Lever, Weight & Damper

Features

- Flange Mounting to PN25 Only
- Flange conforms to BS EN1092 PN25
- Face to face conforms with DIN 3202 F6
- Fusion bonded Epoxy coat finish

Pressure/Temperature



| | 300 | 350 | 400 | 450 | 500 | 600 |
|-----|-------|-------|-------|-------|-------|-------|
| L | 700 | 800 | 900 | 1000 | 1100 | 1300 |
| D | 485 | 555 | 620 | 670 | 730 | 845 |
| D1 | 430 | 490 | 550 | 600 | 660 | 770 |
| D2 | 389 | 448 | 503 | 548 | 609 | 720 |
| B | 27.5 | 30 | 32 | 34.5 | 36.5 | 42 |
| f | 4 | 4 | 4 | 4 | 4 | 5 |
| n-d | 16-31 | 16-34 | 16-37 | 20-37 | 20-37 | 20-41 |
| Kgs | 353 | 491 | 622 | 738 | 915 | 1430 |

| N. | Part Name | Materials |
|----|-------------------|-----------------------------|
| 1 | Body | Ductile Iron - EN-GJS:500-7 |
| 2 | Disc | Ductile Iron - EN-GJS:500-7 |
| 3 | Rocker | Ductile Iron - EN-GJS:500-7 |
| 4 | Disc Sealing Ring | Gunmetal - LG2 |
| 5 | Body Sealing Ring | Gunmetal - LG2 |
| 6 | Shaft | Stainless Steel - SS420 |
| 7 | Lever & Weight | |
| 8 | Cover | Ductile Iron - EN-GJS:500-7 |
| 9 | O-Ring | EPDM |
| 10 | Bushes | Stainless Steel + PTFE |
| 11 | Bonnet | Ductile Iron - EN-GJS:500-7 |
| 12 | O-Ring | EPDM |
| 13 | Damping Cylinder | |

Technical Data

Max Pressure 25 Bar
Working Temperature -10°C to +80°C

Dimensions in mm

This data sheet is designed as a guide and should not be regarded as wholly accurate in every detail. We reserve the right to amend the specification of any product without notice.

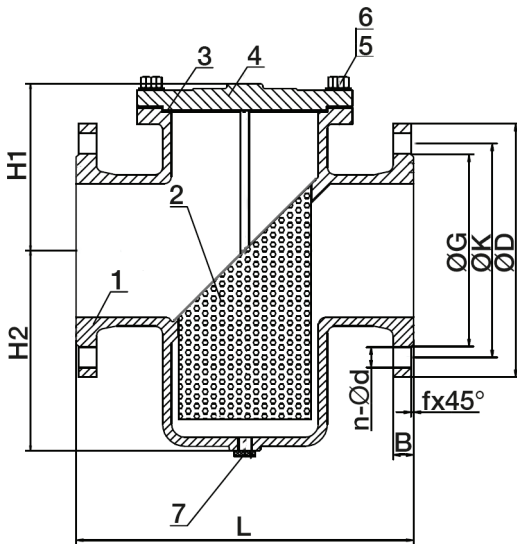
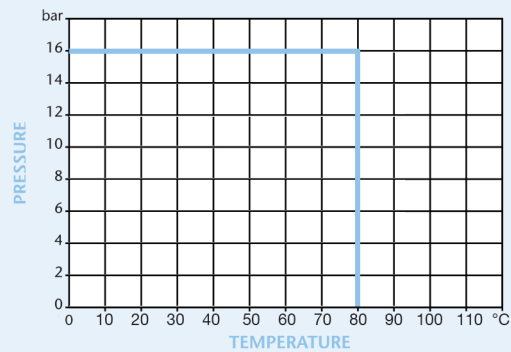
PN16 Ductile Iron Single Basket Strainer



Features

- Flange Mounting PN16 Only
- Flange conforms to BS EN1092 PN16
- Stainless Steel Screen and Drain
- Fusion Bonded Epoxy Coat Finish

Pressure/Temperature



| | 40 | 50 | 65 | 80 | 100 | 125 | 150 | 200 |
|------|------|------|------|------|------|------|------|-------|
| L | 207 | 207 | 210 | 251 | 292 | 334 | 378 | 475 |
| D | 150 | 165 | 185 | 200 | 220 | 250 | 285 | 340 |
| K | 110 | 125 | 145 | 160 | 180 | 210 | 240 | 295 |
| G | 88 | 100 | 119 | 135 | 156 | 186 | 212 | 268 |
| B | 19 | 19 | 19 | 19 | 19 | 19 | 19 | 20 |
| f | 3 | 3 | 3 | 3 | 3 | 3 | 3 | 3 |
| n-Ød | 4-19 | 4-19 | 4-19 | 8-19 | 8-19 | 8-19 | 8-23 | 12-23 |
| H1 | 114 | 114 | 129 | 142 | 165 | 173 | 165 | 215 |
| H2 | 98 | 98 | 112 | 125 | 160 | 185 | 235 | 295 |

| | 250 | 300 | 350 | 400 | 450 | 500 | 600 |
|------|-------|-------|-------|-------|-------|-------|-------|
| L | 511 | 667 | 769 | 842 | 890 | 900 | 1000 |
| D | 405 | 460 | 520 | 580 | 640 | 715 | 840 |
| K | 355 | 410 | 470 | 525 | 585 | 650 | 770 |
| G | 318 | 373 | 433 | 483 | 546 | 605 | 710 |
| B | 22 | 24.5 | 26.5 | 28 | 30 | 31.5 | 36 |
| f | 3 | 3 | 4 | 4 | 4 | 4 | 5 |
| n-Ød | 12-28 | 12-28 | 16-28 | 16-31 | 20-31 | 20-34 | 20-37 |
| H1 | 325 | 283 | 345 | 390 | 402 | 441 | 523 |
| H2 | 340 | 423 | 585 | 590 | 628 | 696 | 834 |

| N. | Part Name | Materials |
|----|--------------|-------------------------|
| 1 | Body | Ductile Iron - GGG50 |
| 2 | Screen | Stainless Steel - 304 |
| 3 | Cover Gasket | EPDM |
| 4 | Cover | Ductile Iron - GGG50 |
| 5 | Bolt | Stainless Steel - A2-70 |
| 6 | Bolt Nut | Stainless Steel - A2-70 |
| 7 | Plug | Stainless Steel - 304 |

Technical Data

Maximum Pressure 16 Bar
Working Temperature 0°C to +80°C

Dimensions in mm

This data sheet is designed as a guide and should not be regarded as wholly accurate in every detail. We reserve the right to amend the specification of any product without notice.

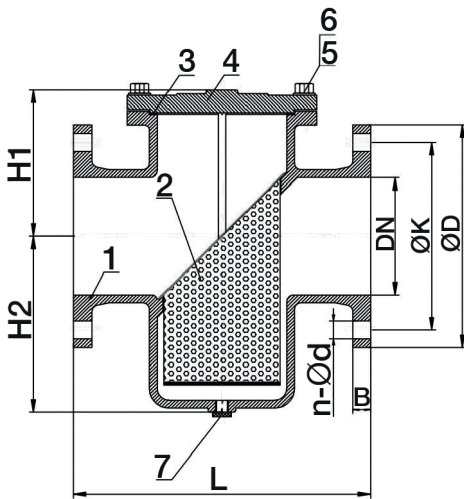
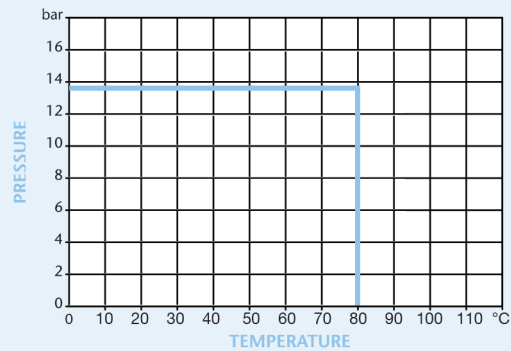
ANSI 125 Ductile Iron Single Basket Strainer



Features

- Flanged ANSI 125 (B16.5)
- Conforms to ANSI B16.10
- Stainless Steel Screen and Drain
- Fusion Bonded Epoxy Coat Finish

Pressure/Temperature



Technical Data

| | |
|---------------------|--------------|
| Maximum Pressure | 13.8 Bar |
| Working Temperature | 0°C to +80°C |

| | 1¼" | 2" | 2½" | 3" | 4" | 5" | 6" | 8" |
|------|------|-------|-------|-------|-------|-------|-------|-------|
| L | 207 | 207 | 210 | 251 | 292 | 334 | 378 | 475 |
| D | 127 | 152.4 | 177.8 | 190.5 | 228.6 | 254 | 279.4 | 342.9 |
| K | 98.6 | 120.7 | 139.7 | 152.4 | 190.5 | 215.9 | 241.3 | 298.5 |
| B | 17.5 | 19 | 22.2 | 23.8 | 23.8 | 23.8 | 25.4 | 28.5 |
| n-Ød | 4-16 | 4-19 | 4-19 | 4-19 | 8-19 | 8-22 | 8-22 | 8-22 |
| H1 | 114 | 114 | 129 | 142 | 165 | 173 | 165 | 215 |
| H2 | 98 | 98 | 112 | 125 | 160 | 185 | 235 | 295 |

| | 10" | 12" | 14" | 16" | 18" | 20" | 24" |
|------|-------|-------|-------|-------|-------|-------|-------|
| L | 511 | 667 | 769 | 842 | 890 | 900 | 1000 |
| D | 406.4 | 482.5 | 533.4 | 596.9 | 635 | 698.5 | 812.8 |
| K | 362 | 431.8 | 476.3 | 539.8 | 577.9 | 635 | 749.3 |
| B | 30.2 | 31.8 | 35 | 36.5 | 39.6 | 42.9 | 47.6 |
| n-Ød | 12-25 | 12-25 | 12-29 | 16-29 | 16-32 | 20-32 | 20-35 |
| H1 | 325 | 283 | 345 | 390 | 402 | 441 | 523 |
| H2 | 340 | 423 | 585 | 590 | 628 | 696 | 834 |

| N. | Part Name | Materials |
|----|--------------|-----------------------------------|
| 1 | Body | Ductile Iron - ASTM A536 65-45-12 |
| 2 | Screen | Stainless Steel - 304 |
| 3 | Cover Gasket | EPDM |
| 4 | Cover | Ductile Iron - ASTM A536 65-45-12 |
| 5 | Bolt | Stainless Steel - A2-70 |
| 6 | Bolt Nut | Stainless Steel - A2-70 |
| 7 | Plug | Stainless Steel - 304 |

Dimensions in mm

This data sheet is designed as a guide and should not be regarded as wholly accurate in every detail. We reserve the right to amend the specification of any product without notice.



Certificate No. 1437B



Certificate No. 1437A

Distributor