

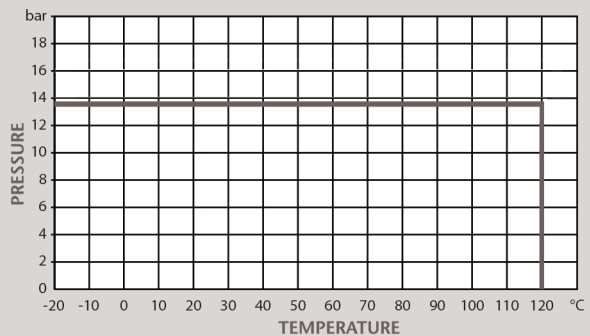
ANSI Ductile Iron Double Regulating Valve (DRV)

Features

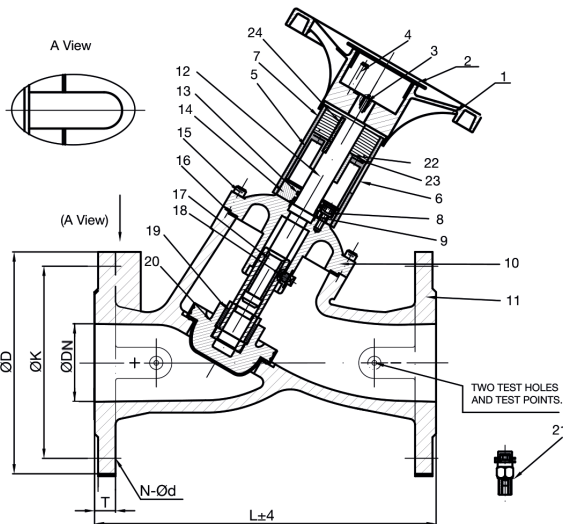
- Flanged ANSI 125 (B16.1)
- Position indicator
- Double regulating device
- Supplied with 2 test points and extensions
- EPDM cone seating gives tight shut off
- Body ductile iron
- Conforms to BS 5152 / BS 7350 / API 598



Pressure/Temperature



DN	50	65	80	100	125	150	200	250	300
D	152	178	191	229	254	279	343	406	483
K	121	140	152	191	216	241	299	362	432
n-Ød	4-19	4-19	4-19	8-19	8-22.4	8-22.4	8-22.4	12-25.4	12-25.4
T	16	18	19	24	24	25	29	30	32
L	230	290	310	350	400	480	600	730	850
Kvs	48.2	82.6	117.4	211.4	381.5	462.4	790	1135	2022
Kgs	12.5	16.0	21.0	30.0	42.0	56.0	126.0	195.0	289.0



Technical Data

Max Pressure	13.8 Bar
Working Temperature	-20°C to +120°C

N.	Part Name	Materials
1	Handwheel	Aluminium Alloy / Steel
2	Handwheel Cover	Plastic
3	Handwheel Lock Screw	Stainless Steel 304
4	Adjusting Screw	Stainless Steel 304
5	Indication Tube	Plastic
6	Transparent Scale	Plastic
7	Connection Tube	ABS Plastic
8, 15	Hexagon Socket Screw	Carbon Steel
9, 13	O-Ring	EPDM
10	Cover	Cast Iron
11	Body	Ductile Iron
12	Stem	Stainless Steel 410
14	Packing Gland	Stainless Steel 410
16	Graphite Gland	Graphite
17	Stem Nut	HPb59-1
18	Positional Screw	Stainless Steel 304
19	Nut Cover	HPb59-1
20	Disc wrapped in Rubber	Cast Iron + EPDM
21	Test Points	
22	Drive Plate	Stainless Steel 410
23	Screw	Carbon Steel
24	Flat Key	Stainless Steel 410

Dimensions in mm

This data sheet is designed as a guide and should not be regarded as wholly accurate in every detail. We reserve the right to amend the specification of any product without notice.