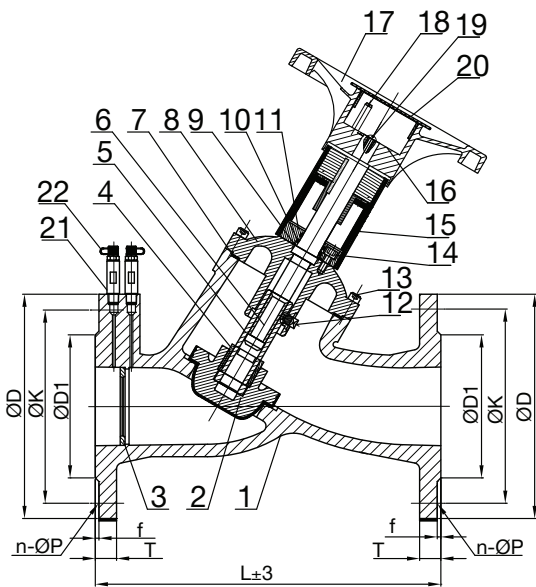




Flanged Fixed Orifice Double Regulating Valve (FODRV)

Features

- Flanged PN16
- Position indicator
- Fixed orifice with $\pm 5\%$ flow measurement accuracy
- Supplied with 2 fitted test points
- Extensions are included but not fitted
- EPDM cone seating gives tight shut off
- Body ductile iron
- Conforms to BS 5152 / BS 7350



DN	2"	2½"	3"	4"	5"	6"	8"	10"	12"
DN	50	65	80	100	125	150	200	250	300
ØD	165	185	200	220	250	285	340	405	460
ØK	125	145	160	180	210	240	295	355	410
N-ØP	4-Ø19	4-Ø19	8-Ø19	8-Ø19	8-Ø19	8-Ø23	12-Ø23	12-Ø28	12-Ø28
T	19	19	19	19	19	19	20	22	24.5
ØD1	99	118	132	156	184	211	266	319	370
f	3	3	3	3	3	3	3	3	4
L	230	290	310	350	400	480	600	730	850
Kv	38	57	79	137	260	415	612	971	1412
Kvs	47.5	88.6	125	228	341	487	826	1218	1794
Kgs	12.5	16.0	21.0	30.1	42.0	56.0	126.0	195.0	289.0

No.	Part Name	Materials
1	Body	Ductile Iron
2	Disc	Cast Iron + EPDM
3	Orifice Plate	Brass
4	Stem Nut Cover	Brass
5	Stem Nut	Brass
6	Stem	Stainless Steel 410
7	Graphite Gasket	Graphite
8	Cover	Cast Iron
9	O-Ring	EPDM
10	O-Ring	EPDM
11	Gland Cover	Stainless Steel 410
12	Positioning Screw	Stainless Steel 304
13	Screw	Steel
14	Screw	Steel
15	Indicator Kit	ABS
16	Handwheel Sticker	
17	Handwheel	Aluminium Alloy / Steel
18	Screw	Stainless Steel 304
19	Handwheel Lock Screw	Stainless Steel 304
20	Handwheel Cover	Plastic
21	Extension Tube	Stainless Steel 304
22	Test Points	Brass

Technical Data

Max Pressure	16 Bar
Working Temperature	-20°C to +120°C

Dimensions in mm

This data sheet is designed as a guide and should not be regarded as wholly accurate in every detail. We reserve the right to amend the specification of any product without notice.