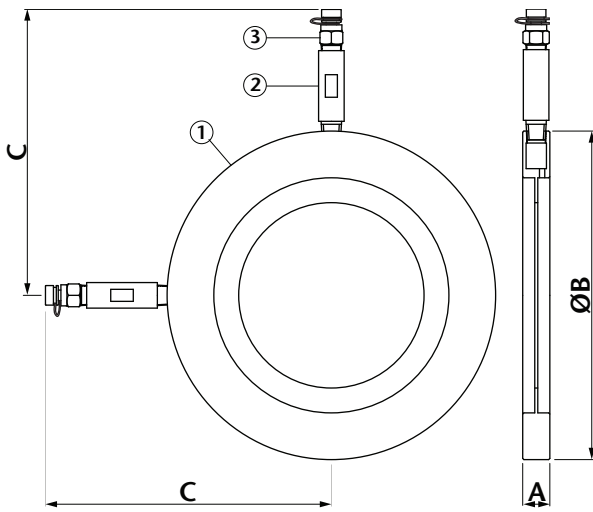
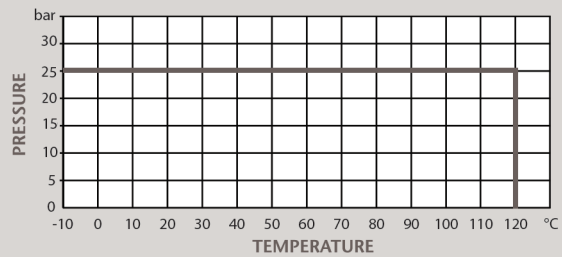


## PN25 Stainless Steel Orifice Plate (OP)

### Features

- Wafer pattern
- Fits between BS EN1092 flanges PN25
- Flow characteristic confirmed to BS 7350
- Fixed orifice with  $\pm 5\%$  flow measurement accuracy
- Can be close coupled to a double regulating valve
- Supplied with 2 extensions and test points

### Pressure/Temperature



DN	50	65	80	100	125	150	200	250	300
A	22	22	22	22	22	22	22	22	22
B	108	127	142	168	194	224	284	340	400
C	136	145	153	166	179	194	224	252	282
Kv	71.6	145.5	219	386	572	807	1416	1975	2990
Kvs	57	104	137	241	345	516	863	1218	1794
Kgs	1.1	1.3	1.7	2.2	3.3	3.6	5.5	6.1	11.0

DN	350	400	450	500	600
A	22	22	32	32	32
B	457	514	564	624	730
C	310	339	364	394	447
Kv	3598	4675	5706	7449	11597
Kvs	2128.3	2765.8	3375.4	4407.1	6860.9
Kgs	13.8	16.8	30.8	33.0	43.5

### Technical Data

Max Pressure	25 Bar
Working Temperature	-10°C to +120°C

N.	Part Name	Materials
1	Body	304 Stainless Steel
2	Extension	304 Stainless Steel
3	Pressure Test Point	Brass

Dimensions in mm

This data sheet is designed as a guide and should not be regarded as wholly accurate in every detail. We reserve the right to amend the specification of any product without notice.