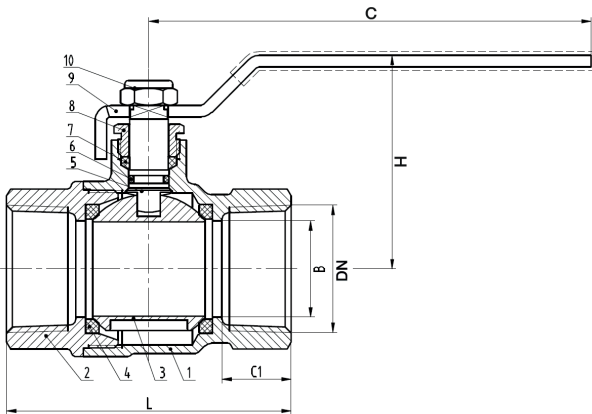
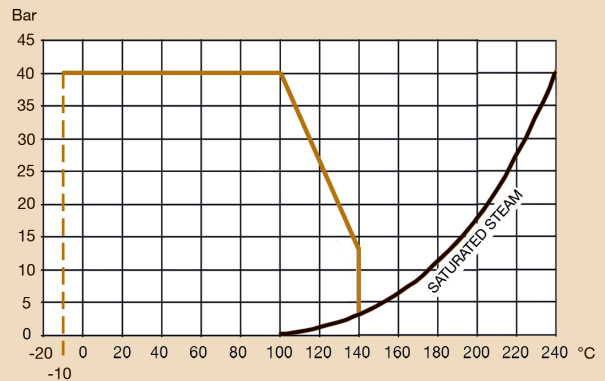


PN40 Bronze Ball Valve

Features

- Screwed BSP Taper (ISO 7/1) or NPT (ANSI B1.20.1)
- Bronze Body
- Full Bore
- Blow Out Proof Stem
- MSS-SP-110
- WRAS Approved

PRESSURE / TEMPERATURE



DN	1/2"	3/4"	1"	1 1/4"	1 1/2"	2"
B	15	20	25	32	40	50
L	54	62	74	85	94	109.5
H	42.5	51	55.5	81.5	87	97.5
C	95	100	115	141	141	165
C1	14.5	15	18	18.5	18.5	19.5
Kgs	0.23	0.35	0.54	0.81	1.11	1.77

N. Part Name Material

1	Body	Bronze - C83600 ASTM B62
2	Bonnet	Bronze - C83600 ASTM B62
3	Ball	Brass Chrome Plated - CW617N ASTM C38000 1/2" - 1" Stainless Steel 304 ASTM A240 1.1/4" - 2"
4	Seat	PTFE
5	Stem	Brass - CW617N ASTM C38000
6	O-Ring	NBR - N7049 (HA70)
7	Packing	PTFE
8	Packing Nut	Brass - Hpb58-2 (C38000) ASTM B455
9	Handle	Steel - Q235A A36
10	Hex Nut	Stainless Steel 304 - ASTM A240

Technical Data

Max Pressure	40 Bar
Working Temperature	-10°C to +140°C

Dimensions in mm

This data sheet is designed as a guide and should not be regarded as wholly accurate in every detail. We reserve the right to amend the specification of any product without notice.