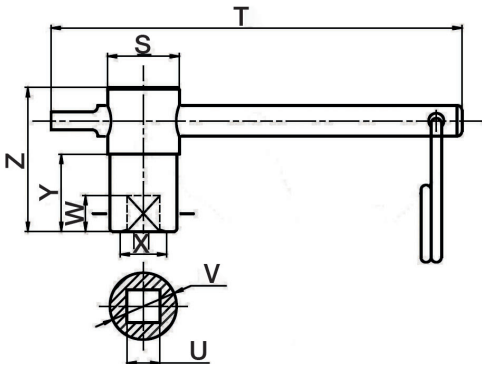


Key Information

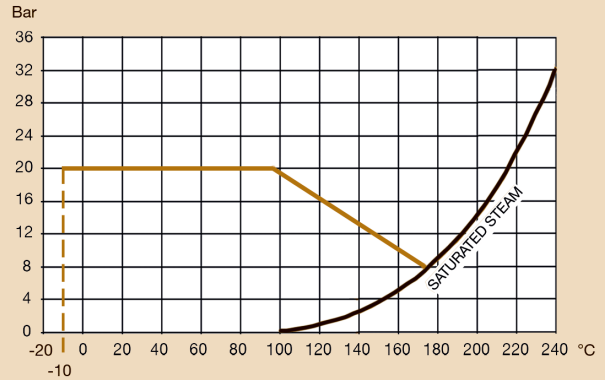


PN20 Bronze Gate Valve

Features

- Screwed BSP Taper (ISO 7/1) or NPT (ANSI B1.20.1)
- Bronze Body and Disc
- Screwed Bonnet
- Non Rising Stem
- BS 5154 / MSS-SP-80
- WRAS Approved
- Lock Shield - Key available separately

PRESSURE / TEMPERATURE



DN	1/2"	3/4"	1"	1 1/4"	1 1/2"	2"
L	45	48.5	55	61	63	73
H	63.5	72	81.5	96	108	136
SxS	6.3	6.3	6.3	6.3	8.0	8.0
B	15	20	25	32	38	50
C	12.0	12.5	14.0	15.0	15.0	17.5
C1	13.2	13.5	15.2	16.0	16.5	19.0
Key Req'd	Small	Small	Small	Small	Large	Large
Kgs	0.22	0.31	0.45	0.69	0.94	1.51

N. Part Name Material

1	Disc	Bronze - C83600 ASTM B62
2	Body	Bronze - C83600 ASTM B62
3	Stem	DZR - CW602N ASTM C35330
4	Washer	PTFE
5	Bonnet	Bronze - C83600 ASTM B62
6	Lock Nut	Brass - Hpb58-2 (C38000) ASTM B455
7	Packing	PTFE
8	Gland	Brass - Hpb58-2 (C38000) ASTM B455
9	Packing Nut	Brass - Hpb58-2 (C38000) ASTM B455

Key Information

	Z	Y	X	W	T	S	ØV	U
Small	28	15	9	7	80	14	13	S6.4*6.4
Large	32	15	12	9	120	14	15.5	S8.1*8.1

Technical Data

Max Pressure	20 Bar
Working Temperature	-10°C to +170°C

Dimensions in mm

This data sheet is designed as a guide and should not be regarded as wholly accurate in every detail. We reserve the right to amend the specification of any product without notice.