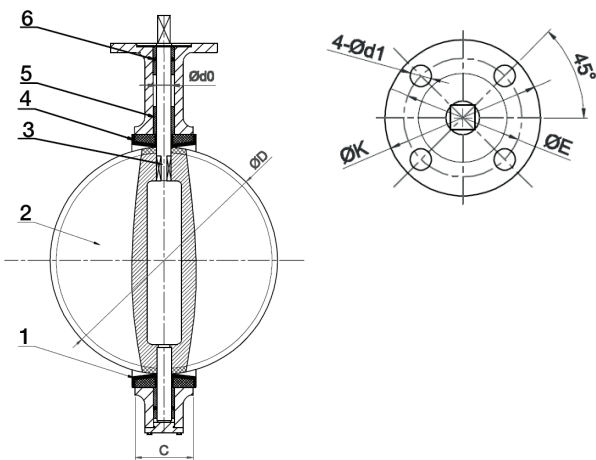
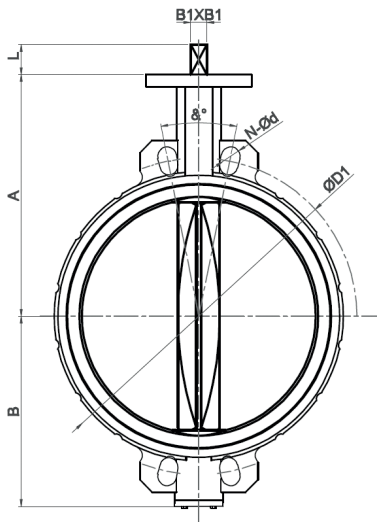


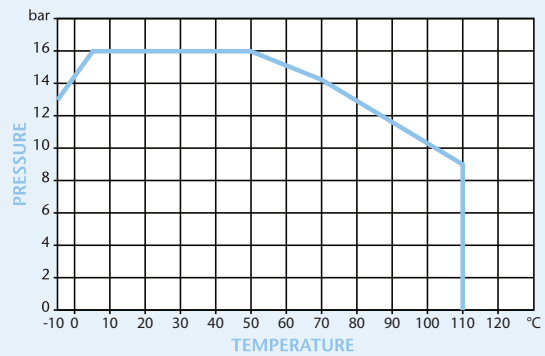
Ductile Iron Butterfly Valve Wafer Type with gearbox

Features

- Universal Flange Mounting PN16 PN10 ASA150
- BS5155 (BS EN593)
- Epoxy Coat Finish
- ISO 5211 Direct Mount



Pressure/Temperature



	400	450	500	600
A	405	422	480	562
B	321	328	361	459
C	102	114	127	152
D	389.6	440.5	491.6	592.5
L	50	50	60	60
B1	27	27	36	36
D1	525	585	650	770
4-Ød	4-31	4-31	20-34	20-37
&°	22.5°	18°	18°	18°
ISO5211	F14	F14	F14	F16
ØK	175	175	175	210
ØE	140	140	140	165
4-Ød1	4-18	4-18	4-18	4-23
Kgs	85	107	126	243

Technical Data

Pressure 16 Bar

Working Temperature -10°C to +110°C

Dimensions in mm

This data sheet is designed as a guide and should not be regarded as wholly accurate in every detail. We reserve the right to amend the specification of any product without notice.

N.	Part Name	Materials
1	Body	Ductile Iron GGG40
2	Disc	Stainless Steel 316
3	Shaft	Stainless Steel 410
4	Seat	EPDM
5	Bushing	PTFE
6	O-Ring	NBR
7	Handwheel	Cast Iron
8	Gear	Cast Iron