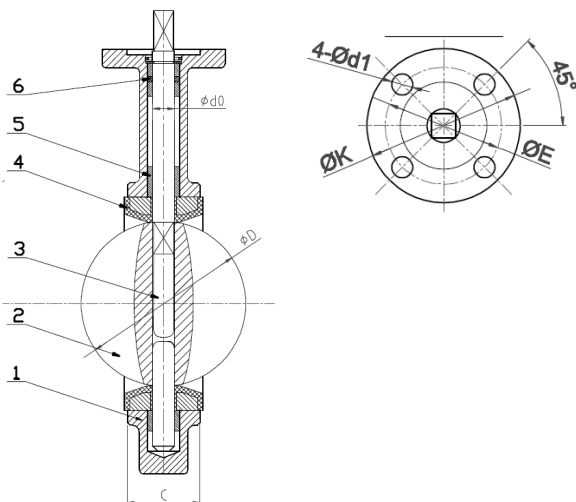
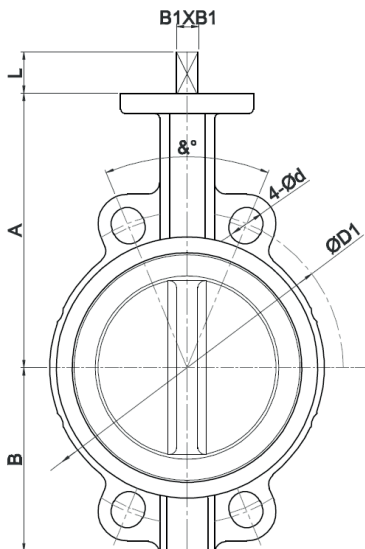


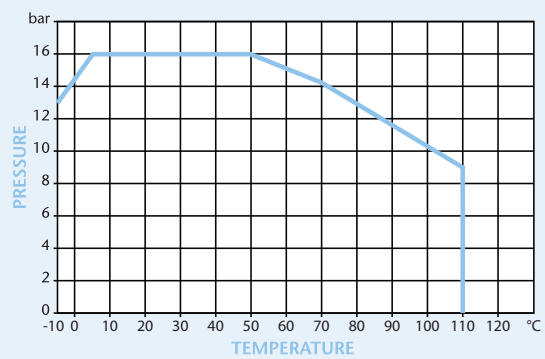
Ductile Iron Butterfly Valve Wafer Type with gearbox

Features

- Universal Flange Mounting PN16 PN10 ASA150
- BS5155 (BS EN593)
- Epoxy Coat Finish
- ISO 5211 Direct Mount



Pressure/Temperature



	40	50	65	80	100	125	150	200	250	300	350
A	120	140	150	158	176	190	211	235	265	305	368
B	63	80	89	95	114	127	139	175	203	242	267
C	34	42	44.7	46	52	54.4	55.8	60.6	65.6	76.9	76.5
D	41.8	52.9	64.5	78.8	104	123.3	155.1	202.5	250.5	301.5	333.3
d0	12.6	12.6	12.6	12.6	15.77	18.92	18.92	22.1	28.45	31.6	31.6
B1	9	9	9	9	11	14	14	17	22	22	22
L	26	26	26	26	28	28	28	36	36	38	42
D1	110	125	145	160	180	210	240	295	350	400	460
4-Ød	4-19	4-19	4-19	4-19	4-19	4-19	4-23	4-23	4-28	4-28	4-28
8°	90°	90°	90°	45°	45°	45°	45°	45°	30°	30°	22.5°
ISO5211	F05	F05	F05	F05	F07	F07	F07	F10	F10	F10	F10
ØK	65	65	65	65	90	90	90	125	125	125	125
ØE	50	50	50	50	70	70	70	102	102	102	102
4-Ød1	4-7	4-7	4-7	4-7	4-10	4-10	4-10	4-12	4-12	4-12	4-12
Kgs	5.1	5.8	6.2	7.3	8.55	10.6	11.2	21.2	29	38.4	48.05

N.	Part Name	Materials
1	Body	Ductile Iron GGG40
2	Disc	Stainless Steel 316
3	Shaft	Stainless Steel 410
4	Seat	EPDM
5	Bushing	PTFE
6	O-Ring	NBR
7	Handwheel	Cast Iron
8	Gear	Cast Iron

Technical Data

Pressure 16 Bar

Working Temperature -10°C to +110°C

Dimensions in mm

This data sheet is designed as a guide and should not be regarded as wholly accurate in every detail. We reserve the right to amend the specification of any product without notice.