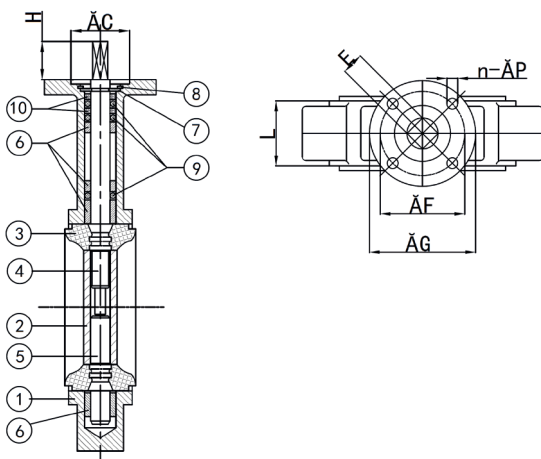
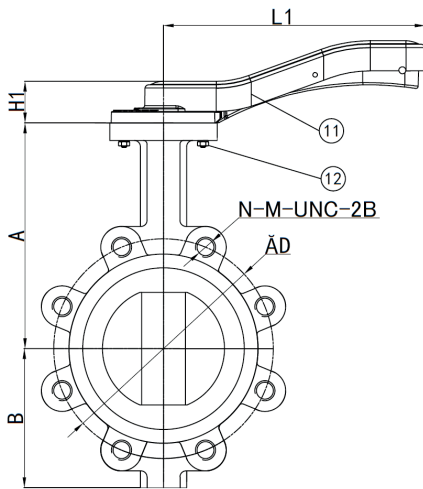


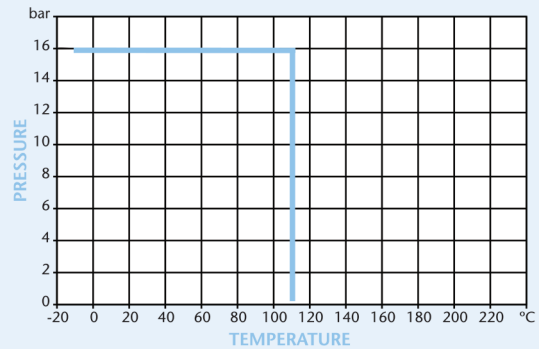
ANSI 150 Ductile Iron Butterfly Valve Lugged & Tapped Type

Features

- Flange Mounting ANSI Class 150 (B16.42)
- BS5155 (BS EN 593)
- ISO 5211 Direct Mount
- Lockable Handle
- Epoxy Coat Finish
- WRAS Approved
- MSS-SP-67



Pressure/Temperature



| | 50 | 65 | 80 | 100 | 125 | 150 | 200 | 250 | 300 |
|------------|----------------------------|----------------------------|----------------------------|----------------------------|----------------------------|----------------------------|----------------------------|----------------------------|----------------------------|
| A | 142 | 154.5 | 161 | 180 | 193 | 205 | 250 | 282 | 326 |
| B | 60 | 70 | 85 | 104 | 120 | 135 | 171 | 205 | 248 |
| C | 56 | 56 | 56 | 56 | 56 | 56 | 71 | 71 | 71 |
| D | 120.65 | 139.7 | 152.4 | 190.5 | 215.9 | 241.3 | 298.45 | 361.95 | 431.8 |
| E | 11 | 11 | 11 | 11 | 14 | 14 | 17 | 22 | 22 |
| F | 70 | 70 | 70 | 70 | 70 | 70 | 102 | 102 | 102 |
| G | 90 | 90 | 90 | 90 | 90 | 90 | 125 | 125 | 125 |
| H | 19 | 19 | 19 | 19 | 19 | 19 | 25 | 30 | 30 |
| H1 | 31 | 31 | 31 | 36 | 36 | 36 | 42 | 42 | 42 |
| L | 41.4 | 44 | 44.6 | 51.4 | 53.8 | 55.1 | 59.5 | 65 | 75.9 |
| L1 | 176 | 176 | 176 | 225 | 225 | 225 | 300 | 359 | 359 |
| N-M-UNC-2B | 4-5/ 8-11 UNC -2B | 4-5/ 8-11 UNC -2B | 4-5/ 8-11 UNC -2B | 8-5/ 8-11 UNC -2B | 8-3/ 4-10 UNC -2B | 8-3/ 4-10 UNC -2B | 8-3/ 4-10 UNC -2B | 12-7/ 8-9 UNC -2B | 12-7/ 8-9 UNC -2B |
| n-Äp | 4x10 | 4x10 | 4x10 | 4x10 | 4x10 | 4x10 | 4x12 | 4x12 | 4x12 |
| Kgs | 2.35 | 2.75 | 3.05 | 4.7 | 5.5 | 6.75 | 11.6 | 20.4 | 29.1 |

| N. | Part Name | Materials |
|----|-------------|---------------------------------|
| 1 | Body | Ductile Iron GGG40 |
| 2 | Disc | Stainless Steel 316 |
| 3 | Seat | WRAS EPDM |
| 4 | Upper Shaft | Stainless Steel 420 |
| 5 | Lower Shaft | Stainless Steel 420 |
| 6 | Bushing | PTFE |
| 7 | Split Pin | Spring Steel 65Mn |
| 8 | Circlip | Spring Steel 65Mn |
| 9 | O-Ring | WRAS EPDM |
| 10 | Ring | Nylon 6 PA6 |
| 11 | Lever | DN50-150 Aluminium DN200-300 DI |
| 12 | Bolt | Stainless Steel 304 |

We strongly advise gearbox on all 8", 10" and 12" valves.

Technical Data

| | |
|---------------------|-----------------|
| Maximum Pressure | 16 Bar |
| Working Temperature | -10°C to +110°C |

Dimensions in mm

This data sheet is designed as a guide and should not be regarded as wholly accurate in every detail. We reserve the right to amend the specification of any product without notice.