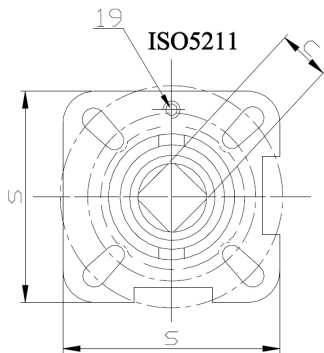
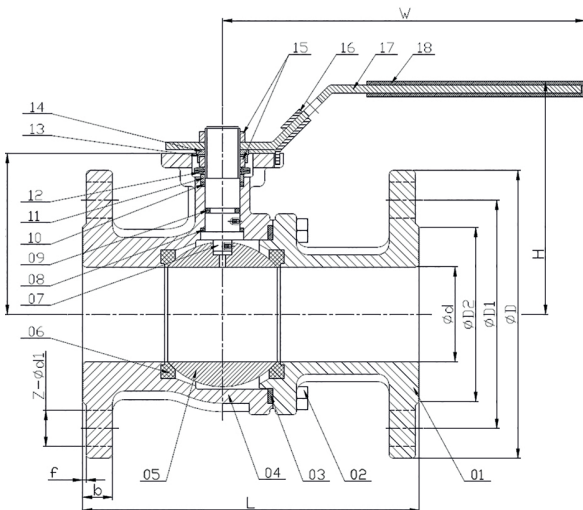


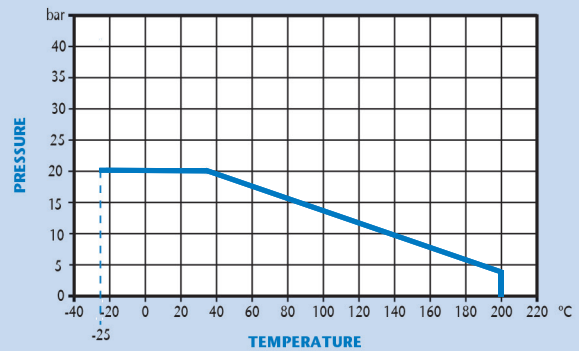
ANSI CLASS 150 Stainless Steel Fire Safe Ball Valve

Features

- Flange Mounting ANSI Class 150 (B16.5)
- PTFE Seats
- Anti Static Device
- Full Bore
- TUV Certified to API STD 607
- Locking Device
- ATEX Approved
- ISO Direct Mount



Pressure / Temperature



DN	1/2"	3/4"	1"	1 1/4"	1 1/2"	2"	2 1/2"	3"	4"
d	15	20	25	32	40	50	65	80	100
L	108	117	127	140	165	178	190	203	229
D	89	98	108	117	127	152	178	190	229
D1	60.5	70	79.5	89	98.5	120.5	139.5	152.5	190.5
D2	35	43	51	64	73	92	105	127	157
b	11	11	12	13	15	16	18	19	24
f	2	2	2	2	2	2	2	2	2
H	82	87	90	100	116	125	154	164	180
W	117	117	164	164	203	203	255	255	302
C	9	9	11	11	14	14	17	17	17
ISO5211	F03/F04	F03/F04	F04/F05	F04/F05	F05/F07	F05/F07	F07/F10	F07/F10	F07/F10
Z-Ød1	4-Ø15	4-Ø15	4-Ø15	4-Ø15	4-Ø15	4-Ø19	4-Ø19	4-Ø19	8-Ø19
h	48	53	58.5	71	76.5	85	100	112.5	125.5
s	42.6	42.6	50	50	64.5	64.5	93.6	93.6	93.6
N.m	5	8	10	14	18	25	48	75	110
Kgs	1.48	2.04	2.86	3.94	5.94	7.61	13.20	17.10	29.20

N.	Part Name	Material
1	Cap	CF8M
2	Bolt	Stainless Steel 304
3	Body Gasket	Pure Graphite
4	Body	CF8M
5	Ball	Stainless Steel 316
6	Ball Seat	Pure PTFE
7	Stem	Stainless Steel 316
8	Thrust Washer	Pure PTFE
9	O-Ring	VITON
10	Stem Packing	Pure Graphite
11	Packing Ring	Stainless Steel 304
12	Belleville Washer	Stainless Steel 301
13	Nut Stopper	Stainless Steel 304
14	Plate Washer	Stainless Steel 304
15	Nut	Stainless Steel 304
16	Lock Device	Stainless Steel 304
17	Handle	Stainless Steel 304
18	Plastic Cover	Plastic
19	Stop Pin	Stainless Steel 304

Technical Data

Max Pressure 20 Bar Rated
 Working Temperature -25°C to +200°C

Dimensions in mm

This data sheet is designed as a guide and should not be regarded as wholly accurate in every detail. We reserve the right to amend the specification of any product without notice.