

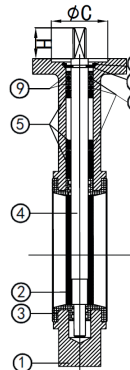
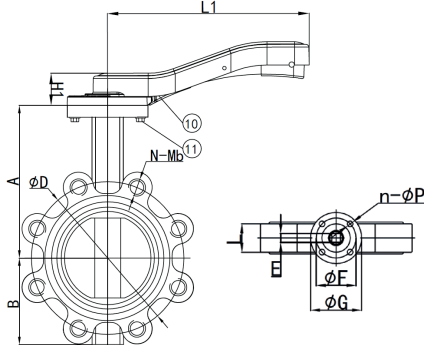
# ART 135 PN25

## PN25 Ductile Iron Butterfly Valve Lugged and Tapped



### Features

- Flange mounting PN25 only
- BS5155 (BS EN 593)
- ISO 5211 direct mount
- Lockable handle
- Epoxy coat finish
- Vulcanised liner



### Technical data

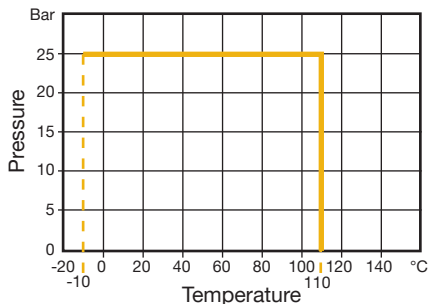
Max pressure: 25 Bar

Working temp: -10°C to +110°C

DN	50	65	80	100	125	150
A	141	153	161	178	193	204
B	61	72	87	106	123	138
C	56	56	56	56	56	56
D	125	145	160	190	220	250
E	11	11	11	11	14	14
F	70	70	70	70	70	70
G	90	90	90	90	90	90
H	19	19	19	19	19	19
H1	31	31	31	36	36	36
L	43	46	46	52	56	56
L1	176	176	176	225	225	225
N-Mb	4-M16	8-M16	8-M16	8-M20	8-M24	8-M24
N-Øp	4-10	4-10	4-10	4-10	4-10	4-10
Torque	22	26	36	73	90	106
Kv	118	258	510	926	1500	2170
Kgs	4.5	6.5	7.0	10.0	16.5	17.0

### N. Part Name Materials

1	Body	Ductile Iron GGG40
2	Disc	Stainless Steel 316 (CF8M)
3	Seat	EPDM
4	Shaft	Stainless Steel 431
5	Bushing	Brass H65
6	Cotter Pin	Spring Steel 65Mn
7	Circlip	Spring Steel 65Mn
8	O-Ring	NBR
9	Ring	Nylon 6 PA6
10	Handle	Aluminium AL102
11	Bolt	Stainless Steel 304



V1. Dimensions in mm

This data sheet is designed as a guide and should not be regarded as wholly accurate in every detail. We reserve the right to amend the specification of any product without notice.