

ART 18

Compression Service Valve



Features

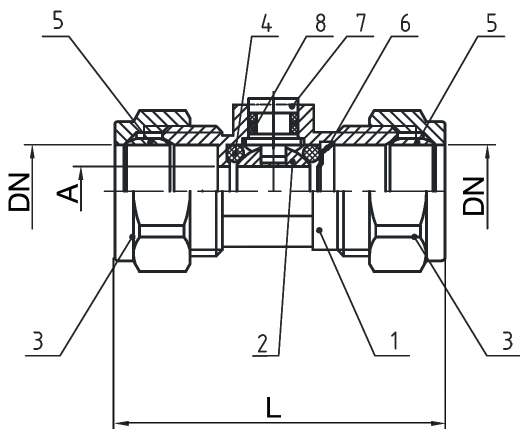
- Compression ends in accordance with BS EN1254-2



Technical data

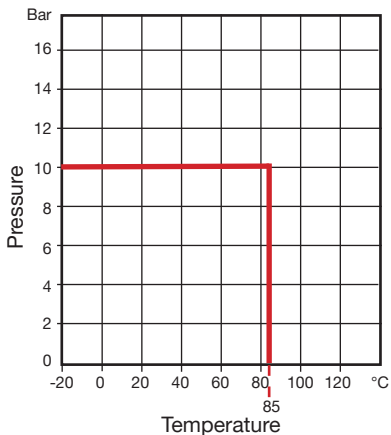
Max pressure: 10 Bar

Working temp: -20°C to +85°C



DN	15	22
A	Ø8	Ø12
L	50	65
Kgs	0.07	0.16

N.	Part Name	Materials
1	Body	Brass / Nickel Plated
2	Ball	Brass / Chrome Plated
3	Cap	Brass / Nickel Plated
4	O-Ring	EPDM
5	Olive	
6	Circlip	Stainless Steel
7	Stem	Brass / Nickel Plated
8	O-Ring	EPDM



V1. Dimensions in mm

This data sheet is designed as a guide and should not be regarded as wholly accurate in every detail. We reserve the right to amend the specification of any product without notice.