

ART 279

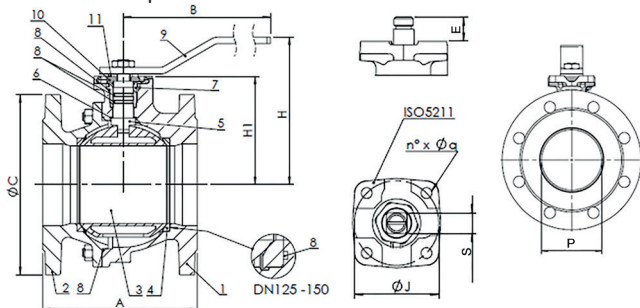
Ductile Iron Ball Valve

Flanged Ends



Features

- Flanged mounting PN16 to BS1092
- ISO 5211 direct mount
- Inside and outside epoxy coating
- Optional Lockable device
- Blow-out proof stem



Drawing represents 15-150mm. For 200mm drawing contact the sales office.

Technical data

Max pressure: 16 Bar

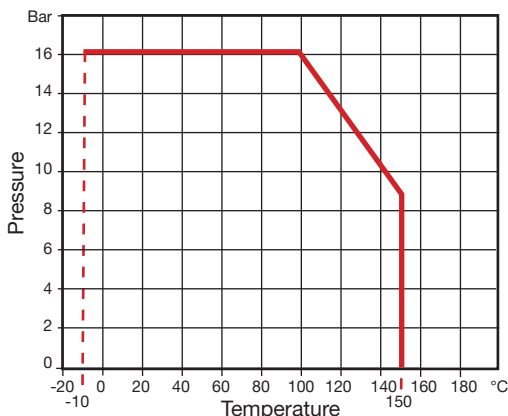
Working temp: -10°C to +150°C

DN	15	20	25	32	40	50	65	80	100	125	150	200
P	15	20	25	32	40	50	63	76	95	120	145	190
A	115	120	125	130	140	150	170	180	190	200	210	400
H	84	84	96	101	125	135	143	165	180	225	243	320
H1	50.5	52.0	59.0	64.0	78.5	87.0	95.0	118.0	132.5	165.0	182.5	230.0
B	160	160	170	170	230	230	230	280	360	450	560	1000
C	95	105	115	140	150	165	185	200	220	250	285	340
ISO 5211	F04	F04	F04	F04	F05	F05	F05	F07	F07	F10	F10	F12
J	42	42	42	42	50	50	50	70	70	102	102	125
N° x Øq	4x6	4x6	4x6	4x6	4x7	4x7	4x7	4x9	4x9	4x11	4x11	4x13
E	11.5	11.5	14.5	14.5	17.5	17.5	17.5	20.0	20.0	24.5	24.5	27.0
S	9	9	11	11	14	14	14	17	17	22	22	27
Torque*	15	15	18	18	18	20	40	70	100	180	250	600
Kv	22.3	47.7	83.5	150.4	255	435	672	947	1508	2633	4261	5957
Kgs	2.6	3.3	4.2	5.8	7.5	9.0	10.5	15.5	18.5	28.0	38.5	93.0

* Torque - Raw torque with no safety added

N. Part Name Materials

1	Body	Ductile Iron
2	Flange	Ductile Iron
3	Ball	Brass Chrome Plated
4	Ball Seat	PTFE
5	Stem	Brass
6	Sliding Washer	PTFE
7	Ring	Brass
8	O-Ring	Viton
9	Handle	Carbon Steel
10	Stop Plate	Carbon Steel Galvanised
11	Spring Washer	Carbon Steel Galvanised



V1. Dimensions in mm

This data sheet is designed as a guide and should not be regarded as wholly accurate in every detail. We reserve the right to amend the specification of any product without notice.