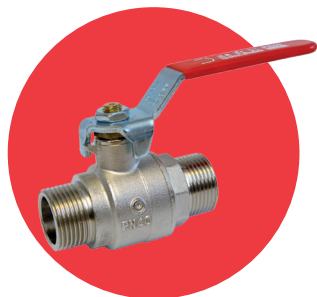


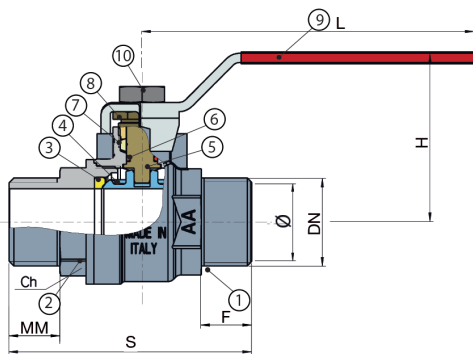
ART 47

PN50 Brass Ball Valve



Features

- Screwed BSP Parallel M/M Ends (ISO 228/1)
- PTFE seats & seals
- Anti-blow-out stem
- Full bore
- Locking lever & tee handle options available
- For details on handles refer to the Ball Valve Accessory datasheet



Technical data

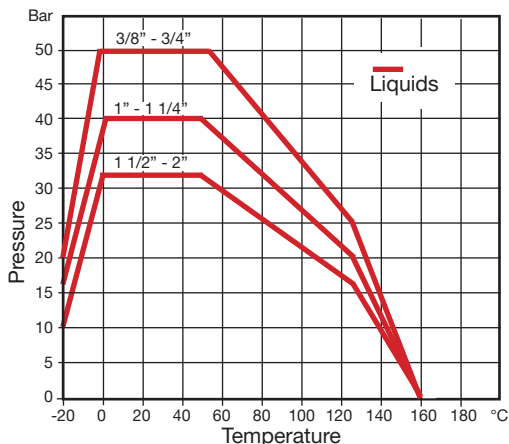
Max pressure: 3/8" - 3/4" 50 Bar
 1" - 1 1/4" 40 Bar
 1 1/2" - 2" 32 Bar

Working temp: -20°C to +160°C

DN	3/8"	1/2"	3/4"	1"	1 1/4"	1 1/2"	2"
Ø	10	15	20	25	32	40	50
F	12	17	19.5	21	22	23.5	28
MM	12	15	16	19	20.5	21.5	24.5
S	54	68	77	92	106	111	138
H	41	54	58	66	71	80	88
L	80	90	90	125	125	140	140
Ch	21	26	31	38	48	55	68
Kv	15	20	45	60	100	170	265
Kgs	0.13	0.27	0.37	0.62	0.93	1.35	2.14

N. Part Name Materials

1	Body	Brass / Nickel Plated CW617N
2	Cap	Brass / Nickel Plated CW617N
3	Seat	PTFE
4	Ball	Brass / Chrome Plated CW617N
5	Stem	Brass CW614N
6	O-Ring	HNBR
7	Seal	PTFE
8	Packing Nut	Brass CW614N
9	Handle	Steel Plastic Coated
10	Nut	Steel Zinc Plated



V1. Dimensions in mm

This data sheet is designed as a guide and should not be regarded as wholly accurate in every detail. We reserve the right to amend the specification of any product without notice.